



# SPEC SHEET

## KoolMore 80 in. Three Door Commercial Reach In Refrigerator 72 cu. ft.

SKU: RIR-3D-SS

### FEATURES

- 430 Stainless steel exterior
- Eco-friendly R290 refrigerant
- 6 Casters - 3 locking
- 2 Door locks for security and freshness
- 9 adjustable shelves
- Self-closing door with stay-open feature
- ETL Listed for Safety and Sanitation
- Bottom mounted compressor
- 115V electrical connection
- NEMA 5-20P plug
- 1 Parts and labor warranty
- 5 Year compressor warranty



### CLOSE UP IMAGES



# TECHNICAL SPECS

## Dimensions

Depth	32.2
Width	80.9
Height	82.5
Interior Depth	27.1
Interior Width	76.3
Interior Height	51.6
Shelf Width	23.6 LR - 25.1 M
Shelf Depth	23.2
Depth Including Handles	32.2
Depth Excluding Handles	32.2
Depth Less Door	29.4
Depth With Door Open 90 Degrees	57.1
Power Cord Length	98.5

## Capacity

Gross Cubic Feet	72.1
Net Capacity Cu. Ft.	66.5
Individual Shelf Capacity	88l bs.

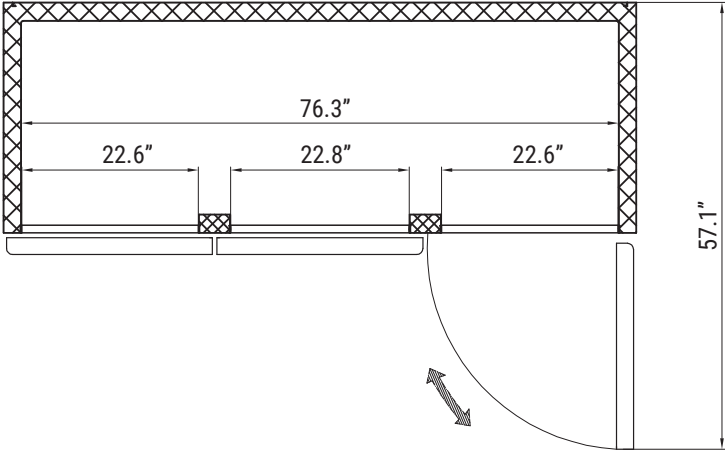
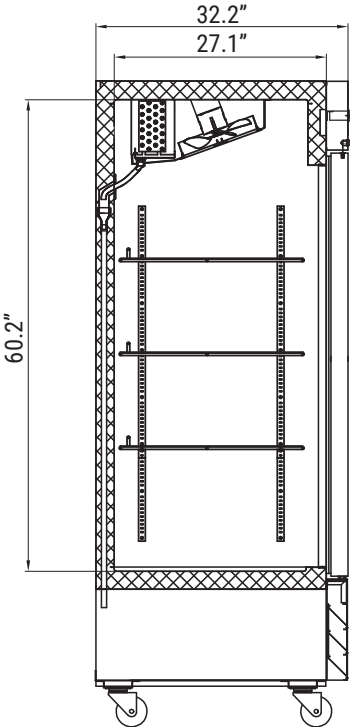
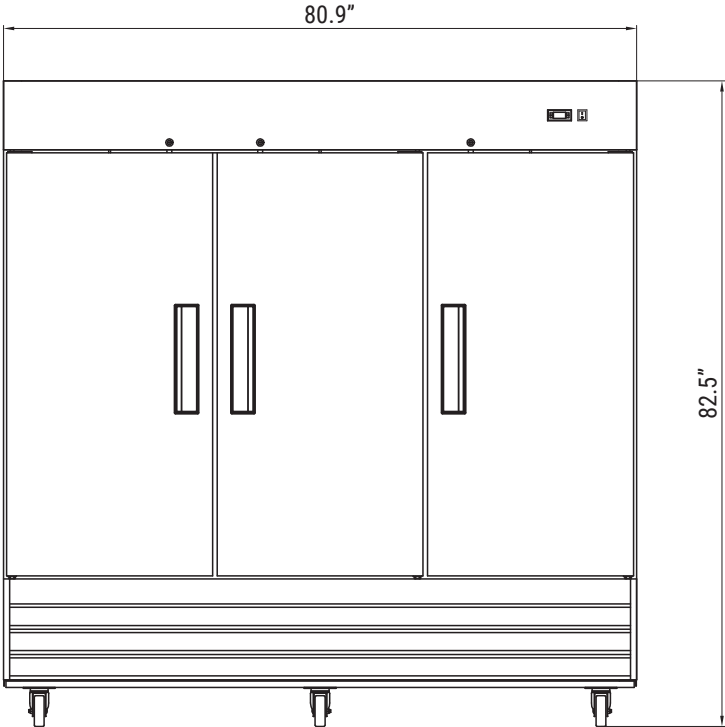
## Features & Material

Door Style	Swing
Number Of Doors	3
Number Of Shelves	9
Defrost Type	Automatic
Refrigerant Type	R-290
Temperature Control Type	External Digital
Ambient Temperature Range	100 F
Temperature Range	33-40 F
Casters	6
Light Type	Fluorescent Bulb
Shelf Material Type	Epoxy Coated
Interior Material	Stainless Steel 201
Exterior Material	Stainless Steel 304

## Electric Data & Certifications

Amps	7.2
Phase	1
Plug Type	NEMA 5-15P
Voltage	115
Certifications	ETL Listed for Safety and Sanitation

# Plan View



**CERTIFICATIONS**

Intertek Intertek

This block contains two ETL certification logos. The first is ETL US, and the second is ETL CERTIFICATION LIMITED. Both logos are associated with Intertek.



706 Eastern Parkway STE 1G, Brooklyn NY 11213  
718-576-6342  
info@koolmore.com