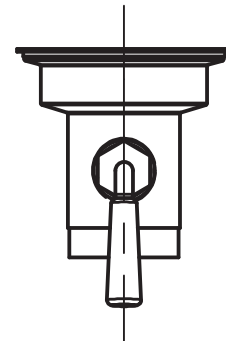
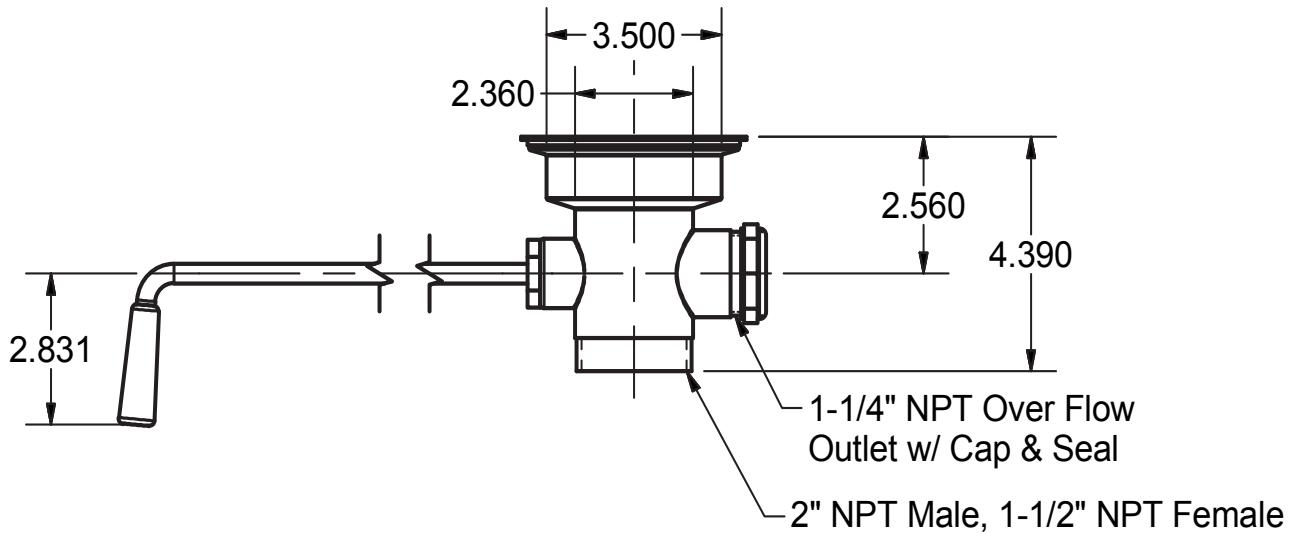
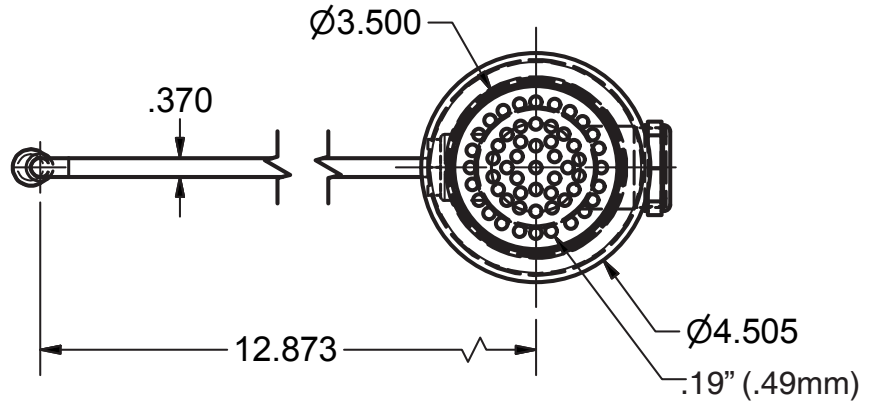




Use your smart phone to scan the above QR code to visit our website: www.bk-resources.com

Twist Lever Waist

Model: BK-LWR-2



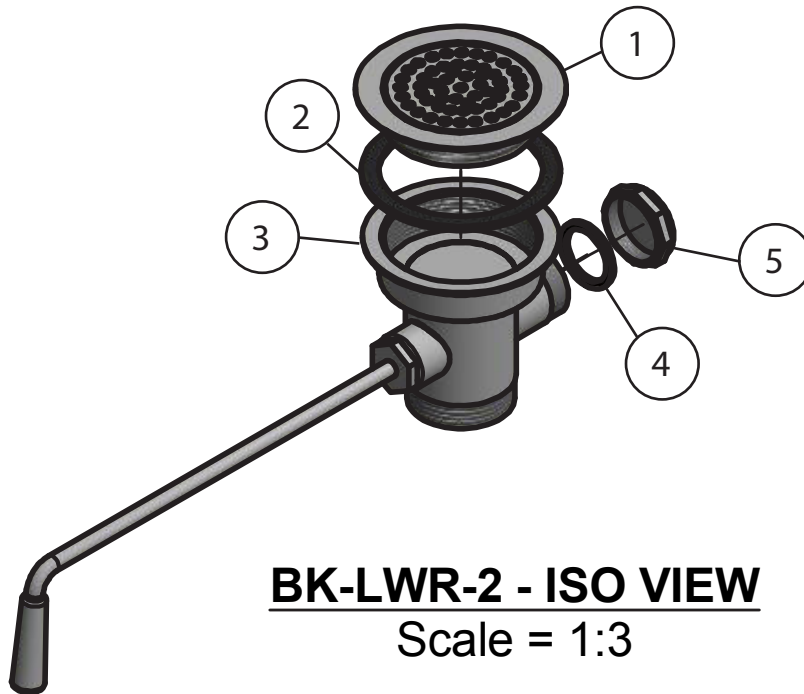
Product Specifications:

- Dual Functioning Outlet Features 2" Male & 1 1/2" Female Threading
- S/S Strainer
- Fits 3 1/2" Openings
- Zinc Plated Metal



Twist Lever Waist

Model: BK-LWR-2



BK-LWR-2 - ISO VIEW

Scale = 1:3

Exploded Parts Detail:

Diagram #	Quantity	Part Number	Description
1	1	BK-LDR-FP	Face Plate
2	1	BK-LDR-W	Lever Drain Washer
3	1	BK-LWR-2	Drain Body
4	1	BK-LWR-W	Washer
5	1	003059	Overflow Cap