



**UNDERBAR ACCESSORIES  
MISCELLANEOUS**



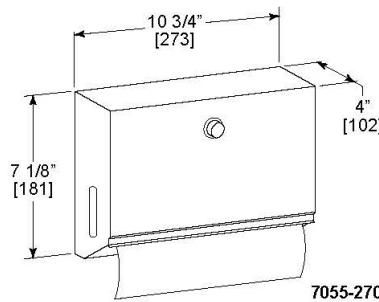
**Folded Towel Dispenser**

<b>PART NO.</b>	<b>7055-270</b>
<b>APPLICATION</b>	Surface-mount paper towel dispenser. Mounting holes on 7-1/2" centers.
<b>FEATURES</b>	Hinged door with knob latch. Slot on each side of cabinet provides a visual indicator for refilling.
<b>CAPACITY</b>	Unit dispenses C-fold and Multifold (Z) paper towels 3-1/8" to 3-13/16" wide x 10-1/4" long.
<b>MATERIALS</b>	Stainless steel cabinet and door.

*For Field Installed: Add "R" suffix to part number.*



7055-270



7055-270

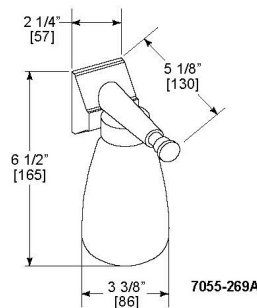
**Soap Dispenser**

<b>PART NO.</b>	<b>7055-269A</b>
<b>APPLICATION</b>	Surface-mount liquid soap or antiseptic solution dispenser. Unit is secured to a wall plate that is mounted on 1-5/6" centers.
<b>FEATURES</b>	Depressing an ADA-Compliant push button valve manually dispensing soap. Soap globe is easily removable for refilling.
<b>CAPACITY</b>	16 oz.
<b>MATERIALS</b>	Chrome-plated brass body with stainless steel and plastic internal parts. Soap globe is white polyethylene.

*For Field Installed: Add "R" suffix to part number.*



7055-269A



7055-269A

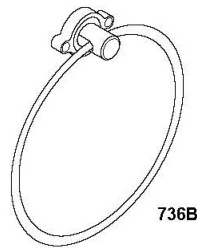


**UNDERBAR ACCESSORIES  
MISCELLANEOUS**

**Towel Ring**

<b>PART NO.</b>	<b>736B</b>
<b>APPLICATION</b>	4" diameter surface-mount towel ring. Unit is secured on 1" centers.
<b>MATERIALS</b>	Mounting flange is chrome-plated brass with solid 3/16" diameter stainless steel towel ring.

*For Factory Installed: Add "IN" suffix to part number.*



**Blender Shelves**

PART NO.	NO. OF SUPPLIED JUNCTION BOXES	LENGTH INS (mm)
<b>7055-121</b>	1	8" (203)
<b>7055-118</b>	1	12" (305)
<b>7055-119</b>	2	18" (457)
<b>7055-124</b>	2	24" (610)
<b>7055-130</b>	2	30" (762)
<b>APPLICATION</b>	Mounts to front apron of Underbar module to provide work surface for blenders.	
<b>FEATURES</b>	Electrical cord access to junction box(es) located underneath shelf.	
<b>MATERIALS</b>	Stainless steel.	

*For Field Installed: Add "R" suffix to part number.*

