



T&S BRASS AND BRONZE WORKS, INC.
 2 Saddleback Cove / P.O. Box 1088
 Travelers Rest, SC 29690

Model No.
B-7245-07

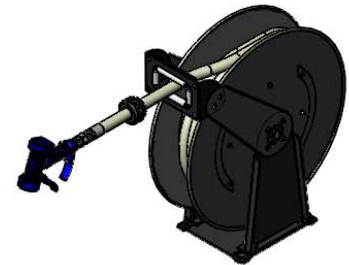
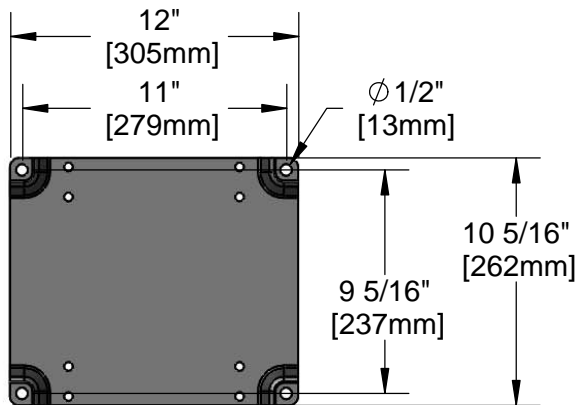
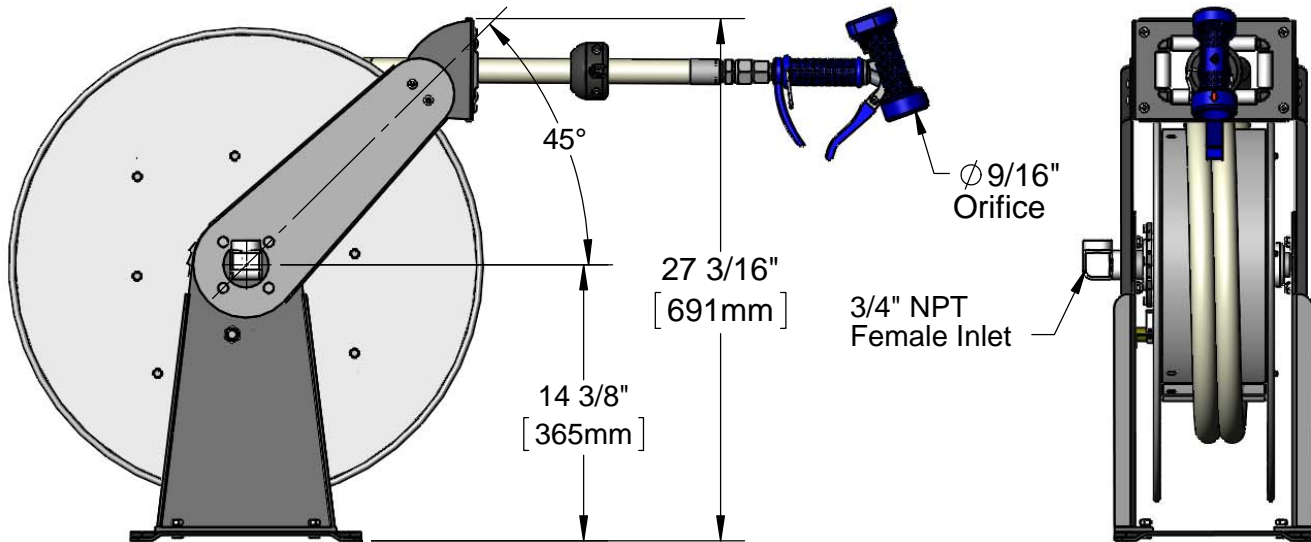
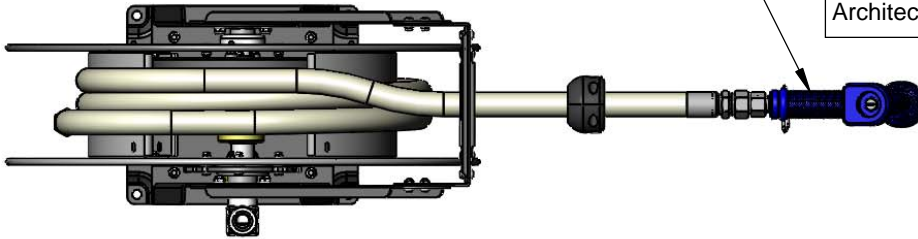
Item No.

Travelers Rest, SC: 800-476-4103 • Simi Valley, CA: 800-423-0150 • Fax: 864-834-3518 • www.tsbrass.com

This Space for Architect/Engineer Approval

Job Name _____ Date _____
 Model Specified _____ Quantity _____
 Customer/Wholesaler _____
 Contractor _____
 Architect/Engineer _____

MV-2522-44
 Front Trigger Water Gun
 w/ Stainless Steel Body &
 Royal Blue Rubber Cover



Product Specifications:
 Epoxy Coated Open Hose Reel w/ 3/4" x 50' Creamery Hose, MV-2522-44
 Front Trigger Water Gun & Double Arm Support

Product Compliance:
 NSF 61 Exempt (Non-Potable)
 EPA 2005 Non-Compliant (PRSV)



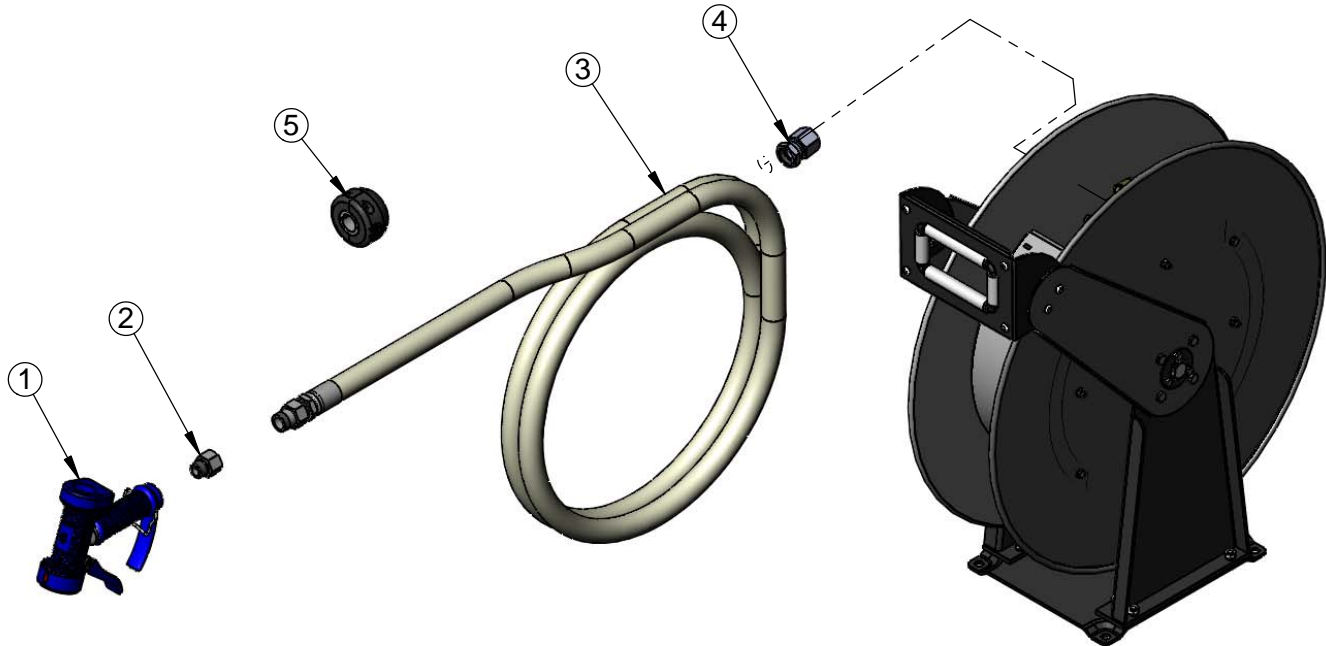
T&S BRASS AND BRONZE WORKS, INC.
 2 Saddleback Cove / P.O. Box 1088
 Travelers Rest, SC 29690

Model No.
B-7245-07

Item No.

Travelers Rest, SC: 800-476-4103 • Simi Valley, CA: 800-423-0150 • Fax: 864-834-3518 • www.tsbrass.com

| ITEM NO. | SALES NO. | DESCRIPTION |
|----------|------------|---|
| 1 | MV-2522-44 | Front Trigger Water Gun, 9/16 Orifice |
| 2 | 006112-25 | Adapter, 3/4" NPT Female x 1/2" NPT Male |
| 3 | 004980-40 | 50' of 3/4" Creamery Hose |
| 4 | 015713-45 | Swivel Connector, 3/4" NPT Female x 3/4" NPT Female |
| 5 | 014949-45 | Hose Stop Repair Kit |



Product Specifications:
 Epoxy Coated Open Hose Reel w/ 3/4" x 50' Creamery Hose, MV-2522-44
 Front Trigger Water Gun & Double Arm Support

Product Compliance:
 NSF 61 Exempt (Non-Potable)
 EPAAct 2005 Non-Compliant (PRSV)