

ES4G Series Equipment Stands

30" Depth Models



Special Features:

- ✓ ES4G Series Equipment Stand
- ✓ Work Area: Stainless Flat Top 4ft² - 15ft²
- ✓ Sturdy 18-Gauge 430 Stainless Steel Work Area
- ✓ High Loading Capacity for Work Area & Undershelf
- ✓ Undershelf Material: 18-Gauge Galvanized Steel
- ✓ Back and Side Splashes
- ✓ Galvanized Steel Hat Channel
- ✓ Galvanized Steel Legs
- ✓ Plastic Adjustable Bullet Feet
- ✓ All Seams Welded & Polished
- ✓ No Burrs or Sharp Edges

About Empura Equipment Stands:

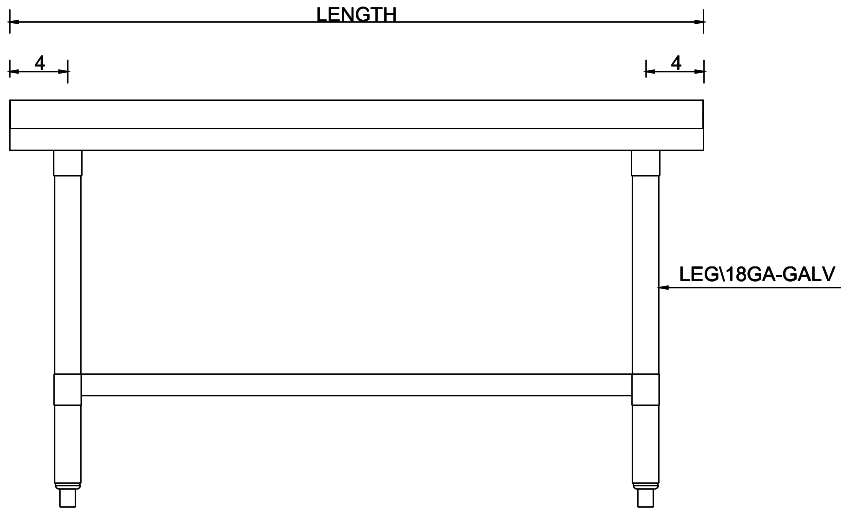
When your commercial kitchen requires a durable counter-height table capable of supporting heavy equipment, turn to Empura Equipment Stands. Crafted from robust stainless steel, these stands not only withstand heavy loads but also endure the daily rigors of a bustling foodservice environment. Available in various widths to suit different equipment sizes, Empura Stainless Steel Equipment Stands are the ideal solution for your kitchen needs.

TECHNICAL SPECS

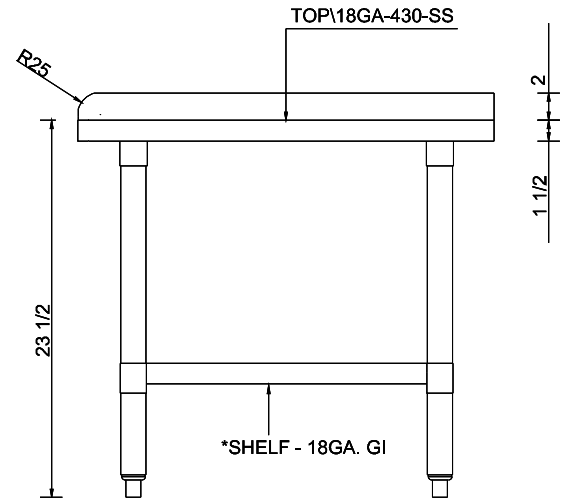
Model #	ES4G3036	ES4G3048	ES4G3060
Overall Width	36"	48"	60"
Overall Depth	30"	30"	30"
Overall Height	25.5"	25.5"	25.5"
Undershelf Width	28"	40"	52"
Undershelf Depth	22"	22"	22"
Undershelf Thickness	1.5"	1.5"	1.5"
Backsplash Height	2"	2"	2"
Top Shelf Loading Capacity (lbs)	700	750	850
Undershelf Loading Capacity (lbs)	580	600	660
Shipping Weight (lbs)	49.38	60.41	76.28
Top Shelf Material	430 SS	430 SS	430 SS
Top Shelf Gauge	18 G	18 G	18 G
Undershelf Material	Galvanized	Galvanized	Galvanized
Undershelf Gauge	18 G	18 G	18 G
Hat Channel Material	18 G Galvanized	18 G Galvanized	18 G Galvanized
Leg Material	18 G Galvanized	18 G Galvanized	18 G Galvanized
Leg Diameter	1.625"	1.625"	1.625"
Foot Material	Plastic	Plastic	Plastic

UNIT VIEW

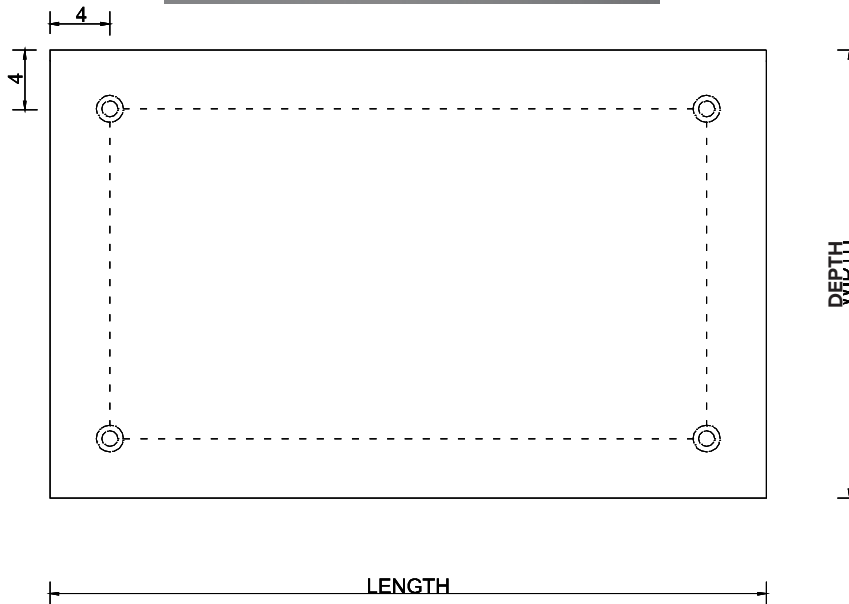
Front View



Side View



Top View



Intended For Commercial Use Only. Empura assumes no liability for component failure, factory defects or any other damages for units installed in non-commercial foodservice or residential applications.

Attention CA Residents: This product can expose you to chemicals including lead, which are known to the State of California to cause cancer, birth defects, or other reproductive harm. For more information, go to www.p65warnings.ca.gov.