

"43PB2028-2D" PRO-BOWL BAKERY SINKS

3 Compartment w/2 Drain Boards - 14GA w/Stainless Steel Base

FEATURES:

- Standard 14GA Type 300 Stainless Steel w/#4 Polish, Satin Finish
- 12" Or 14" Deep Bowls
- All Corners, Both Vertical & Horizontal, Coved At 5/8" Radius
- Bottoms Of Bowls Formed For Drainage To 3-1/2" Diameter Die Stamped Opening
- Full Length 10" High Boxed Backsplash, With 2" Return To Wall At 45 Degree & 3/4" Turned Down Rear Lip
- 1 Set Of Faucet Holes 8" On-Center
- 1" Faucet Holes In Backsplash
- Solid Stainless Steel Front Panel, Type 300 Stainless Steel w/#4 Polish, Satin Finish
- All Outside Corners Of Assembly Are Bullnosed To Provide Safe, Clean, & Polished Edge



43PB2028-2D20

SPECIFICATIONS:

- Top: Stainless Steel Sinks Are Tig Welded, Exposed Welds Are Polished To Match Adjacent Surface
- Base: Stainless Steel Bases, Standard Knocked-Down
- Bowls & Top: 14GA Type 300 Stainless Steel w/#4 Polish, Satin Finish
- Legs: 1-5/8" Round O.D. Stainless Steel
- Bracing: 1-1/4" Round O.D. Stainless Steel
- Gussets: Stainless Steel
- Feet: 1" Adjustable Stainless Steel Bullet Feet

CERTIFICATIONS:



ACCESSORIES

MODEL

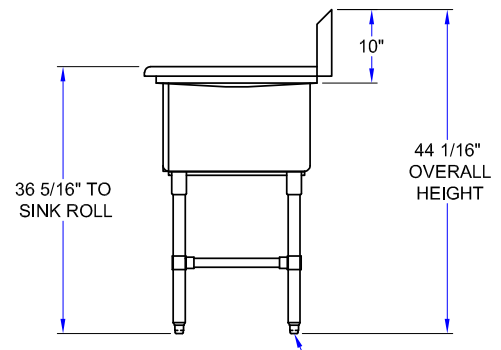
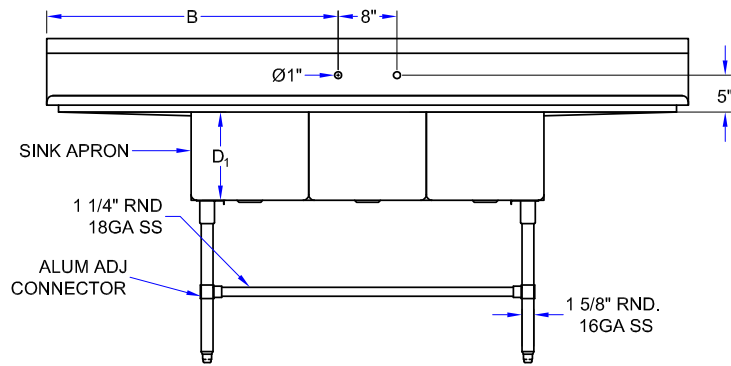
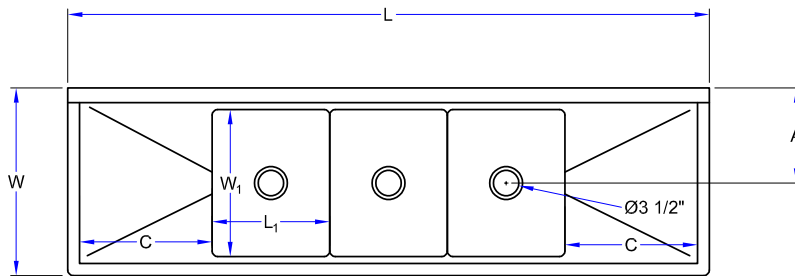
- End Splashes, R, L, Or Both
- Faucets
- Add-A-Faucets
- Pre-Rinse Units
- Lever Waste
- Overshelves
- Pot Rack

"43PB2028-2D" PRO-BOWL BAKERY SINKS

12" DEEP (D ¹)	WT. (LBS)	14" DEEP (D ¹)	WT. (LBS)	OVERALL LENGTH (L)	OVERALL WIDTH (W)	INSIDE LENGTH (L ¹)	INSIDE WIDTH (W ¹)	A	B	C
43PB2028-2D20	210	43PB20284-2D20	225	103-1/4"	33-1/2"	20"	28"	16-15/16"	47-5/8"	20"
43PB2028-2D24	218	43PB20284-2D24	233	111-1/4"	33-1/2"	20"	28"	16-15/16"	51-5/8"	24"
43PB2028-2D30	230	43PB20284-2D30	245	123-1/4"	33-1/2"	20"	28"	16-15/16"	57-5/8"	30"

ALL DIMENSIONS ARE TYPICAL. TOLERANCE +/- .500". JOHN BOOS & CO. RESERVES THE RIGHT TO CHANGE SPECIFICATIONS WITHOUT NOTICE.

DETAILED SPECIFICATIONS



"43PB2028-2D" PRO-BOWL BAKERY SINKS

12" DEEP (D')	WT. (LBS)	14" DEEP (D')	WT. (LBS)	OVERALL LENGTH (L)	OVERALL WIDTH (W)	INSIDE LENGTH (L')	INSIDE WIDTH (W')	A	B	C
43PB2028-2D20	210	43PB20284-2D20	225	103-1/4"	33-1/2"	20"	28"	16-15/16"	47-5/8"	20"
43PB2028-2D24	218	43PB20284-2D24	233	111-1/4"	33-1/2"	20"	28"	16-15/16"	51-5/8"	24"
43PB2028-2D30	230	43PB20284-2D30	245	123-1/4"	33-1/2"	20"	28"	16-15/16"	57-5/8"	30"

ALL DIMENSIONS ARE TYPICAL. TOLERANCE +/- .500". JOHN BOOS & CO. RESERVES THE RIGHT TO CHANGE SPECIFICATIONS WITHOUT NOTICE.