



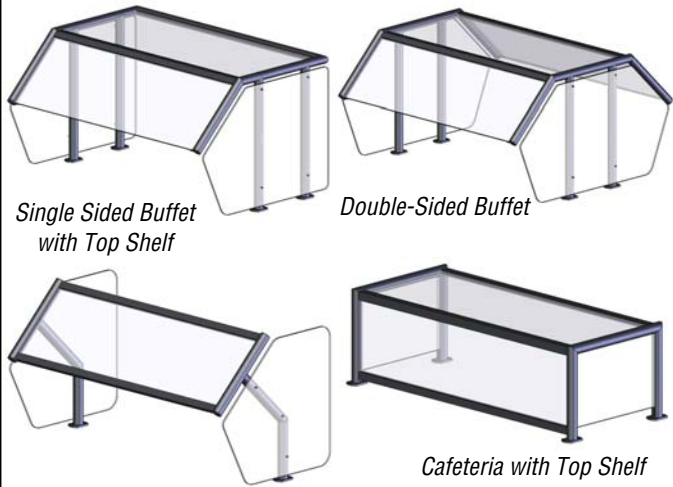
Outperform every day.™

Project:

Item Number:

Quantity:

NSF TRADITIONAL STYLE BREATH GUARDS



DESCRIPTION

Traditional Contemporary breath guards are both light weight for easy installation and strong for long-term use. These breath guards can be used with Signature Server® and over drop-ins.

FEATURES

- Constructed of 1½" (3.2 cm) extruded aluminum, Traditional breath guards are both light weight for easy installation and strong for long-term use
- ¼" (6.4 mm) tempered glass is secured in a tight-fitting channel, creating a continuous, clean line from framework to glass
- Extended glass side panels and ¼" (6.4 mm) acrylic end panels
- Available in natural aluminum finish or 9 stylish powder-coated colors
- Mounts to stainless steel, solid surface and laminate countertops

WARRANTY

All models shown come with Vollrath's standard warranty against defects in materials and workmanship. For full warranty details, please refer to www.Vollrath.com.

BUILD A MODEL NUMBER

Step 1* Select Base Item			Step 2 Select Color		Optional Step 3 Select Accessories	
Length	For Use With Signature Server® With Stainless Steel Countertops	For Use Over Drop-ins and Signature Server® With Non-Stainless Steel Countertops	Suffix	Color	Suffix	Length
Double-Sided Buffet					Fluorescent Lights	
2-Well/Pan	N89285	NPB89285	99	Standard Aluminum	66	2-Well/Pan
3-Well/Pan	N89286	NPB89286			67	3-Well/Pan
4-Well/Pan	N89287	NPB89287	00	Polished Chrome	92	4-Well/Pan
5-Well/Pan	N89288	NPB89288			93	5-Well/Pan
6-Well/Pan	N89289	NPB89289	10	Brass	94	6-Well/Pan
Single-Sided Buffet with Top Shelf					Incandescent Lights	
2-Well/Pan	N89280	NPB89280	30	Black 80% Gloss	05	2-Well/Pan
3-Well/Pan	N89281	NPB89281			06	3-Well/Pan
4-Well/Pan	N89282	NPB89282	40	White Hammer	07	4-Well/Pan
5-Well/Pan	N89283	NPB89283			08	5-Well/Pan
6-Well/Pan	N89284	NPB89284	50	Copper Vein	09	6-Well/Pan
Single-Sided Buffet					Cayenne® Heat Strips	
2-Well/Pan	N89270	NPB89270	60	Silver Vein	95	2-Well/Pan
3-Well/Pan	N89271	NPB89271			68	3-Well/Pan
4-Well/Pan	N89272	NPB89272			97	4-Well/Pan
5-Well/Pan	N89273	NPB89273			98	5-Well/Pan
6-Well/Pan	N89274	NPB89274			11	6-Well/Pan
Cafeteria with Top Shelf					Cayenne® Heat Strips w/ Lights	
2-Well/Pan	N89265	NPB89265			13	2-Well/Pan
3-Well/Pan	N89266	NPB89266			01	3-Well/Pan
4-Well/Pan	N89267	NPB89267			02	4-Well/Pan
5-Well/Pan	N89268	NPB89268			03	5-Well/Pan
6-Well/Pan	N89269	NPB89269			04	6-Well/Pan

* When ordering breath guards for Signature Server® bases with stainless steel countertops, 14 gauge countertops must be specified, will be supplied by Vollrath and added to the cost of the base. Please see the Vollrath Food Service List Prices book.

Due to continued product improvement, please consult www.vollrath.com for current product specifications.



Outperform every day.™

www.vollrath.com

The Vollrath Company, L.L.C.

1236 North 18th Street
Sheboygan, WI 53081-3201 U.S.A.
Main Tel: 800.624.2051 or 920.457.4851
Main Fax: 800.752.5620 or
920.459.6573

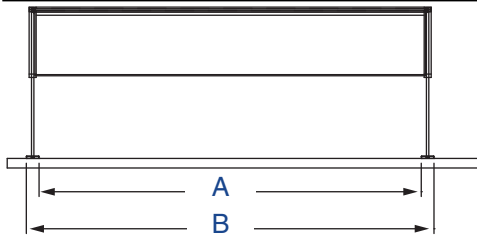
Technical Services

techservicereps@vollrathco.com
Induction Products: 800.825.6036
Countertop Warming Products:
800.354.1970
All Other Products: 800.628.0832

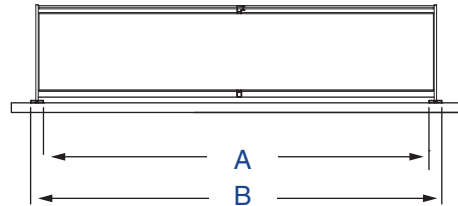
NSF TRADITIONAL STYLE BREATH GUARDS

DIMENSIONS (shown in inches (cm))

Front View

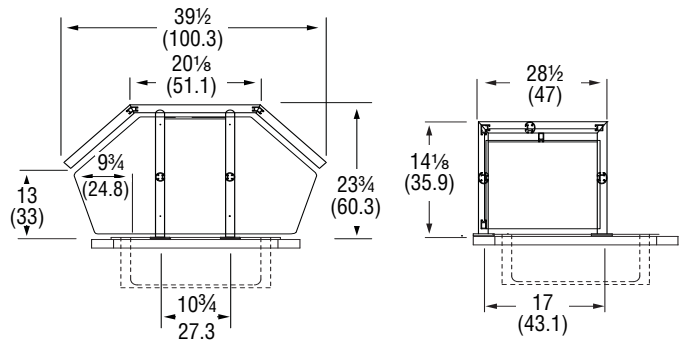


Double-Sided Buffet, Single-Sided Buffet with Top Shelf and Single-Sided Buffet



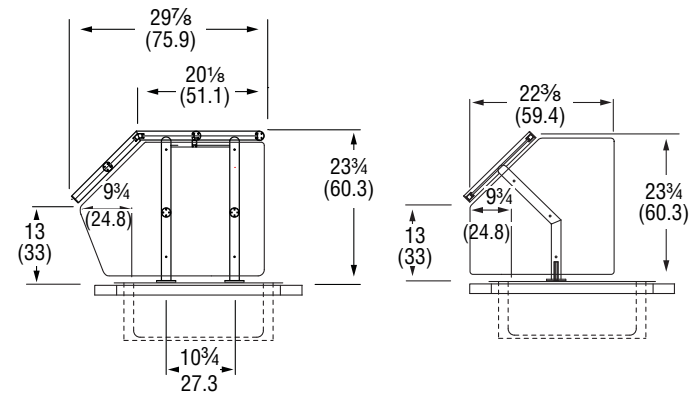
Single-Sided Cafeteria with Top Shelf

Side View



Double-Sided Buffet

Cafeteria with Top Shelf

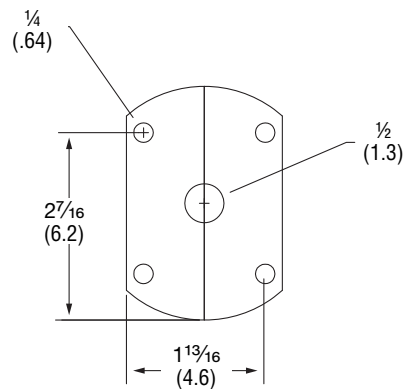


Single-Sided Buffet with Top Shelf

Single-Sided Buffet

Style	(A) Inside of Flange to Inside of Flange	(B) Outside of Flange to Outside of Flange
For Use With Signature Server® With Stainless Steel Countertops		
Two-Well/Pan	28 (71.1)	30 (76.2)
Three-Well/Pan	41 (104.1)	45 (114.3)
Four-Well/Pan	55 (139.7)	59 (149.9)
Five-Well/Pan	69 (175.2)	73 (185.4)
Six-Well/Pan	83 (210.8)	87 (221)
For Use Over Drop-ins or Signature Server® With Non-Stainless Steel Countertops		
Two-Well/Pan	30 1/2 (77.5)	34 1/2 (87.6)
Three-Well/Pan	43 (109.2)	47 (119.4)
Four-Well/Pan	56 1/4 (142.9)	60 1/4 (153)
Five-Well/Pan	69 1/2 (176.5)	73 1/2 (186.7)
Six-Well/Pan	82 3/4 (210.2)	86 3/4 (220.3)

Base Plate



Outperform every day.™

www.vollrath.com

The Vollrath Company, L.L.C.
 1236 North 18th Street
 Sheboygan, WI 53081-3201 U.S.A.
 Main Tel: 800.624.2051 or 920.457.4851
 Main Fax: 800.752.5620 or
 920.459.6573

Technical Services
techservicereps@vollrathco.com
 Induction Products: 800.825.6036
 Countertop Warming Products:
 800.354.1970
 All Other Products: 800.628.0832