



Job \_\_\_\_\_ Item No. \_\_\_\_\_

## Grill-Max® Bun Drawer and Bun Box

Unheated Bun Box/Stainless Steel Door SS50BB

Unheated Bun Box/ Clear Door SS30BBC SS50BBC



SS50BB

### DESCRIPTION

Grill-Max® bun drawers and bun boxes are designed to compliment your Grill-Max® roller grill by adding or expanding your ability to store and safely preserve buns under a variety of circumstances.

### SPECIFICATIONS

Bun boxes and drawers are constructed with stainless steel bodies and are constructed in the U.S.A. SS models with metal drawers will be made with a stainless cabinet, drawer slides, and removable bun pan. The models with clear plexiglass doors will utilize a self-closing door, and will not include pans or racks. Heated units will have an operation indicator light. Heated models will come with a factory attached cord with either a 5-15P plug or a CEE7-7 plug depending on version.

### WARRANTY

These units come with a one [1] year warranty for parts and labor.

### FEATURES

#### All Models

- Constructed with a stainless steel body and sturdy drawer design for dependable and durable service
- Stackable with Star roller grills to maximize counter space and product storage at the same time

#### Heated Bun Drawers

- Heated drawers operate from 80° F (26.7° C) to 200°F (93.3°C) to provide perfectly warm and moist buns
- Concealed controls to minimize the chance of tampering

#### Unheated Bun Boxes

- Low profile storage space for wrapped or unwrapped buns
- Optional clear door to promote impulse sales and display freshness

### CERTIFICATIONS



**STAR MANUFACTURING INTERNATIONAL INC.**  
265 Hobson Street • Smithville, Tennessee 37166  
Telephone 800 264 7827 • Fax 314 781 5445  
www.star-mfg.com

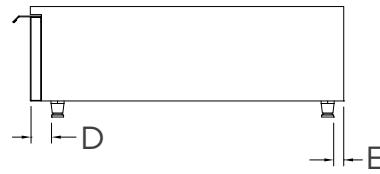
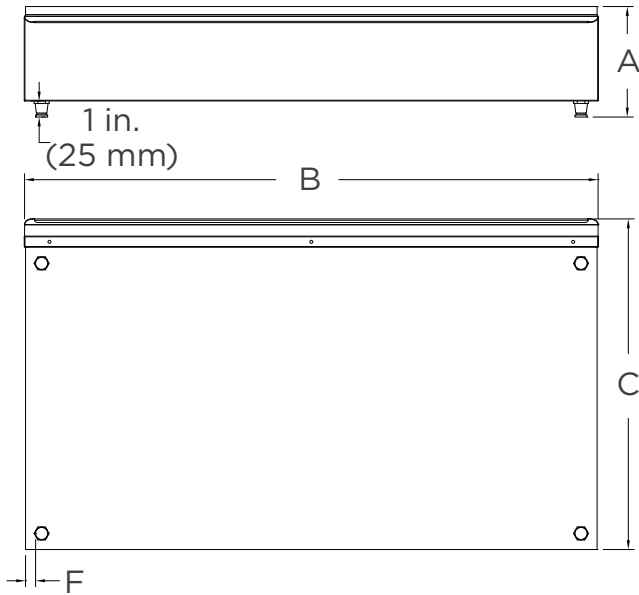
Printed in the U.S.A. • 2M-Z21622 • Rev A • 01.2021  
Specifications are subject to change without notice  
and are not intended for installation purposes.



# Grill-Max® Bun Drawer and Bun Box

Unheated Bun Box/Stainless Steel Door □SS50BB

Unheated Bun Box/ Clear Door □SS30BBC □SS50BBC



MODEL	LEG DISTANCE FROM		
	FRONT [D] in. (mm)	BACK [E] in. (mm)	SIDE [F] in. (mm)
SS50BB	1.3 (33)	0.625 (16)	0.7 (18)
SS30BBC	1.3 (33)	1.25 (32)	0.5 (13)
SS50BBC	1.3 (33)	0.625 (16)	0.7 (18)

MODEL	BUN CAPACITY	HEIGHT [A] in. (mm)	WIDTH [B] in. (mm)	DEPTH [C] in. (mm)	APPROX. SHIP WEIGHT lb. (kg)	APPROX. WEIGHT INSTALLED lb. (kg)
SS50BB	64	6.9 (175)	35.7 (907)	20.6 (523)	49 (22.2)	38 (17.2)
SS30BBC	48	6.9 (175)	23.75 (603)	20.6 (523)	29 (13.2)	17 (7.7)
SS50BBC	64	6.9 (175)	35.7 (907)	20.6 (523)	38 (17.2)	28 (12.7)

Due to periodic changes in designs, methods, procedures, policies and regulations, the specifications contained in this sheet are subject to change without notice. While Star Manufacturing exercises good faith efforts to provide information that is accurate, we are not responsible for errors or omissions in information provided or conclusions reached as a result of using the specifications. By using the information provided, the user assumes all risks in connection with such use.



**STAR MANUFACTURING INTERNATIONAL INC.**  
 265 Hobson Street • Smithville, Tennessee 37166  
 Telephone 800 264 7827 • Fax 314 781 5445  
[www.star-mfg.com](http://www.star-mfg.com)

Printed in the U.S.A. • 2M-Z21622 • Rev A • 01.2021  
 Please refer to the owner's manual for information regarding installation or use.