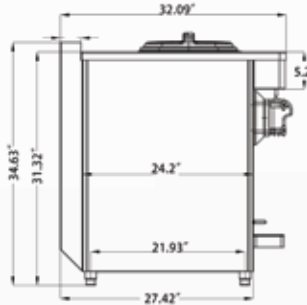
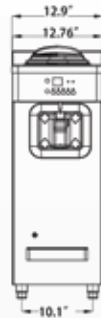




www.pasmousa.com
1-844-527-2766

S930F

Table Top Soft Serve Freezer



DESCRIPTION

PASMO S930F - Single Flavor, Table Top Soft Serve Freezer, Air Cooled, 208-230 V, 60 Hz, 1-ph Power with Hopper Mixer Standard. Offers all of the popular soft serve variations from low to non-fat ice creams, custards, yogurt, italian ices and sorbet. cETLus, ETL, CE

FEATURES

DIGITAL CONTROL AND DISPLAY:

Digital control provides access to system settings and critical information.

QUIET OPERATION:

Adopt the most advanced soft-starting technology with our advanced noise reduction technology; reduces the resonance between parts for more energy-saving and quieter operation.

STAND-BY FUNCTION:

Ensures product temperatures in the hopper and cylinder are maintained below 4.4°C (40°F) for safety throughout the evening.

INTELLIGENT FAULT DETECTION:

Provides multiple levels of security with easy to read "Error Codes".

INTEGRATED CYLINDER:

Seamless design makes cleaning easier and helps to prevent the growth of bacteria.

PRODUCT LIST

Model Number	Cooling Type	Voltage	Hertz	Phase	System
S930FA2	Air Cooled	220v	60hz	1ph	Gravity Fed
S930FAP2	Air Cooled	220v	60hz	1ph	Air Pump

GENERAL INFO

Model Number	S930F
Type	Table Top
Production Capacity	40 L/H (10.57 gal)
Number of Flavors	1
Number of Hoppers	1
Hopper Capacity	9.0 L (2.37 gal)
Specifications	12.91" 32.09" 34.63"
Carton Size	17.13" 36.61" 40.75"
Net Weight	220 lbs
Gross Weight	265 lbs
Cylinder Capacity	2.0 L (0.52 gal)
Beater Type	304 Stainless Steel
Hopper Agitator	Standard
Power	1.6 kW
Self-Check	Yes
Low Mixture Sensor	Yes
Frequency Conversion	Yes

REFRIGERATION SYSTEM

Number of Compressors	1
Compressor Brand	Aspera
Compressor Capacity	4094 BTU/Hr
Compressor Gas	R-404A
Gas Quantity	500g
Cooling Type	Air Cooled

TRANSMISSION

Number of Motors	1
Motor Capacity	550 W

* All specifications mentioned must be considered approximate; PASMO reserves the right to modify, without notice, all parts when deemed necessary. Production capacity depends on the mix used and the room temperature.