

STAINLESS STEEL

16 GA. TOP ECONOMY HINGED OR SLIDING DOORS ENCLOSED BASE WORK TABLES

AVAILABLE WITH FLAT TOP OR 5" BACKSPLASH

FEATURES:

Furnished with a 1-5/8" sanitary rolled rim on the front and 1-5/8" square bend edges on the 2 sides and rear.
Fixed Mid Shelf.

Recessed handles for ease in opening and closing.
Rear flush panel along the rear of the base unit.

ECB-SS/ ECK-SS SERIES SLIDING DOORS

Removable doors for easy maintenance and cleaning.

EHB-SS/ EHK-SS SERIES HINGED DOORS

Constructed as double panel doors with recessed inner panels for extra rigidity.

CONSTRUCTION:

All TIG welded. Exposed areas finished to match adjacent surfaces.

Hat section secured to Top reinforces and maintains level working surface.

Legs bolt on to table base.



Item #: _____ Qty #: _____

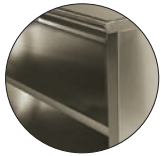
Model #: _____

Project #: _____

TOP: 16 gauge stainless steel type "304" series with galvanized under structure.

BODY & MID SHELF: 18 gauge stainless steel type "430" series.

LEGS: Stainless steel and include 1-1/2" adjustable bullet foot.



Mid-Shelf Available



ECB-SS-244 Shown



EHK-SS-244 Shown



Featuring Bolt-On Stainless Steel Leg

L	FLAT TOP				5" BACK SPLASH				Approx. Cubic Feet
	SLIDING DOORS		HINGED DOORS		SLIDING DOORS		HINGED DOORS		
	Without Shelf	With Mid-Shelf	Without Shelf	With Mid-Shelf	Without Shelf	With Mid-Shelf	Without Shelf	With Mid-Shelf	
24" WIDE TABLES									
36"	N/A	N/A	EHB-SS-243	EHB-SS-243M	ECK-SS-243	ECK-SS-243M	EHK-SS-243	EHK-SS-243M	30
48"	ECB-SS-244	ECB-SS-244M	EHB-SS-244	EHB-SS-244M	ECK-SS-244	ECK-SS-244M	EHK-SS-244	EHK-SS-244M	38
60"	ECB-SS-245	ECB-SS-245M	EHB-SS-245	EHB-SS-245M	ECK-SS-245	ECK-SS-245M	EHK-SS-245	EHK-SS-245M	47
72"	ECB-SS-246	ECB-SS-246M	EHB-SS-246	EHB-SS-246M	ECK-SS-246	ECK-SS-246M	EHK-SS-246	EHK-SS-246M	56
84"	ECB-SS-247	ECB-SS-247M	EHB-SS-247	EHB-SS-247M	ECK-SS-247	ECK-SS-247M	EHK-SS-247	EHK-SS-247M	66
96"	ECB-SS-248	ECB-SS-248M	EHB-SS-248	EHB-SS-248M	ECK-SS-248	ECK-SS-248M	EHK-SS-248	EHK-SS-248M	74
108"	ECB-SS-249	ECB-SS-249M	EHB-SS-249	EHB-SS-249M	ECK-SS-249	ECK-SS-249M	EHK-SS-249	EHK-SS-249M	83
120"	ECB-SS-2410	ECB-SS-2410M	EHB-SS-2410	EHB-SS-2410M	ECK-SS-2410	ECK-SS-2410M	EHK-SS-2410	EHK-SS-2410M	92
36" WIDE TABLES									
36"	ECB-SS-303	ECB-SS-303M	EHB-SS-303	EHB-SS-303M	ECK-SS-303	ECK-SS-303M	EHK-SS-303	EHK-SS-303M	35
48"	ECB-SS-304	ECB-SS-304M	EHB-SS-304	EHB-SS-304M	ECK-SS-304	ECK-SS-304M	EHK-SS-304	EHK-SS-304M	45
60"	ECB-SS-305	ECB-SS-305M	EHB-SS-305	EHB-SS-305M	ECK-SS-305	ECK-SS-305M	EHK-SS-305	EHK-SS-305M	55
72"	ECB-SS-306	ECB-SS-306M	EHB-SS-306	EHB-SS-306M	ECK-SS-306	ECK-SS-306M	EHK-SS-306	EHK-SS-306M	66
84"	ECB-SS-307	ECB-SS-307M	EHB-SS-307	EHB-SS-307M	ECK-SS-307	ECK-SS-307M	EHK-SS-307	EHK-SS-307M	76
96"	ECB-SS-308	ECB-SS-308M	EHB-SS-308	EHB-SS-308M	ECK-SS-308	ECK-SS-308M	EHK-SS-308	EHK-SS-308M	87
108"	ECB-SS-309	ECB-SS-309M	EHB-SS-309	EHB-SS-309M	ECK-SS-309	ECK-SS-309M	EHK-SS-309	EHK-SS-309M	97
120"	ECB-SS-3010	ECB-SS-3010M	EHB-SS-3010	EHB-SS-3010M	ECK-SS-3010	ECK-SS-3010M	EHK-SS-3010M	EHK-SS-3010M	107

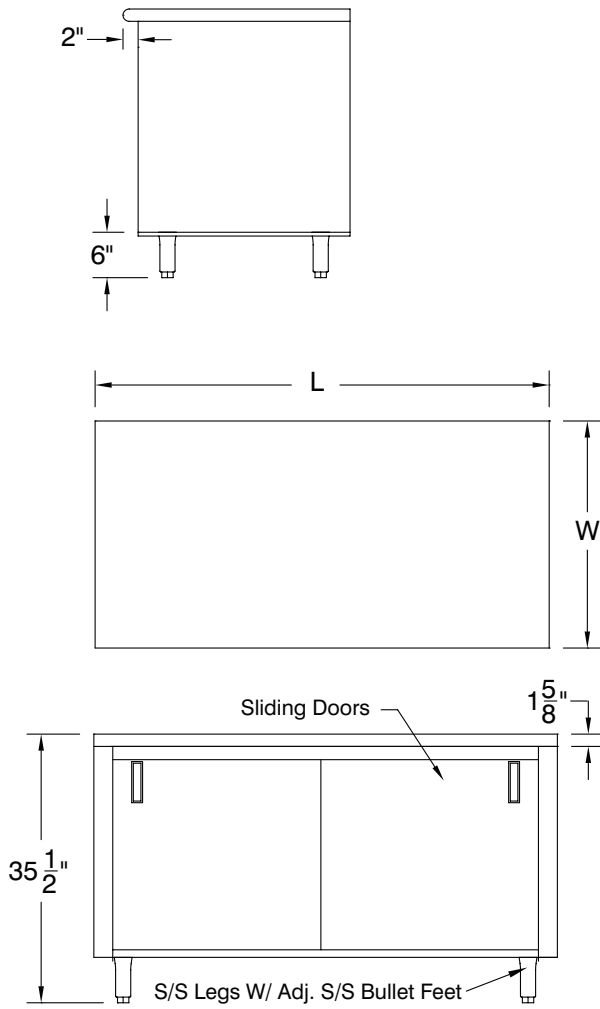
DETAILS and SPECIFICATIONS

TOL ± .500"

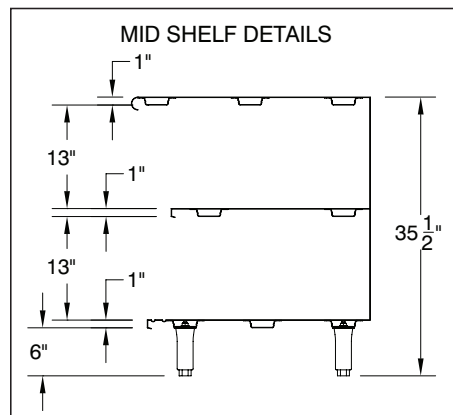
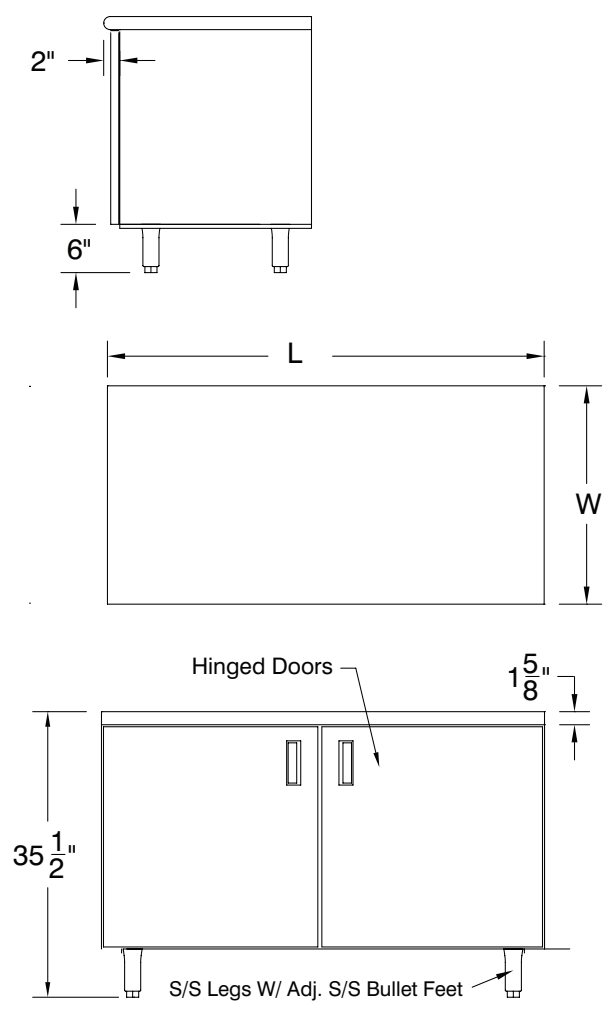
Units 7' and larger are furnished with 6 legs.

ALL DIMENSIONS ARE TYPICAL

ECB/EHB Flat Top Open Base Series



ECK/EHK 5" Backsplash Open Base Series



5" BOLT-ON CASTERS

Includes 2 With Brakes
TA-255P Set of 4
TA-255AP Set of 6

