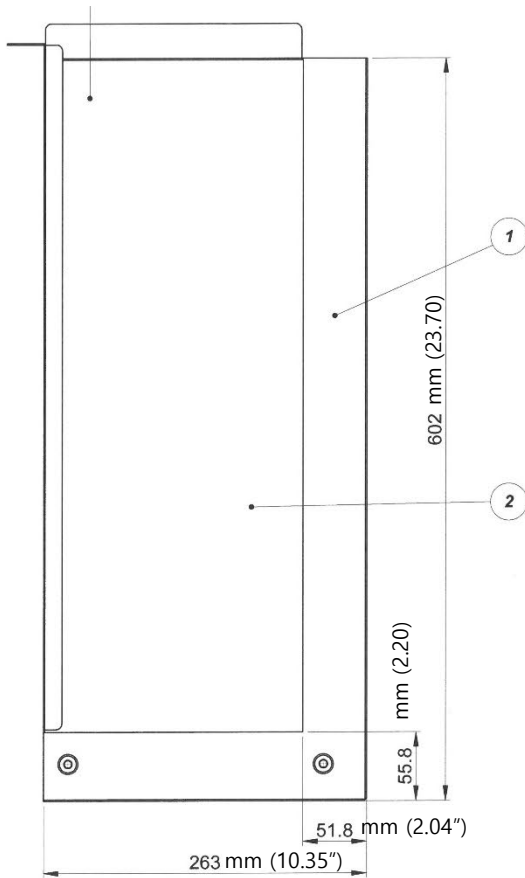


# Bin Top Adaptor: IBT-2230

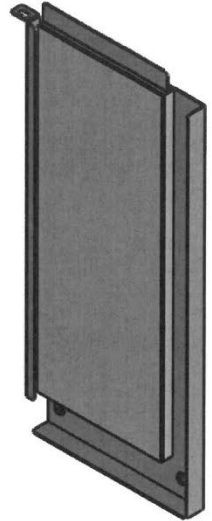
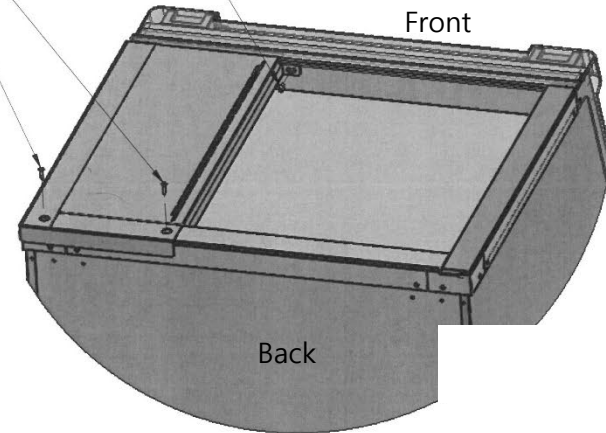
## 22" Head on left side of 30" BIN

(Part code #416015200)



TAPPING SCREW(FLAT HEAD STS304)  
.M4x20 (TFCL0829R)

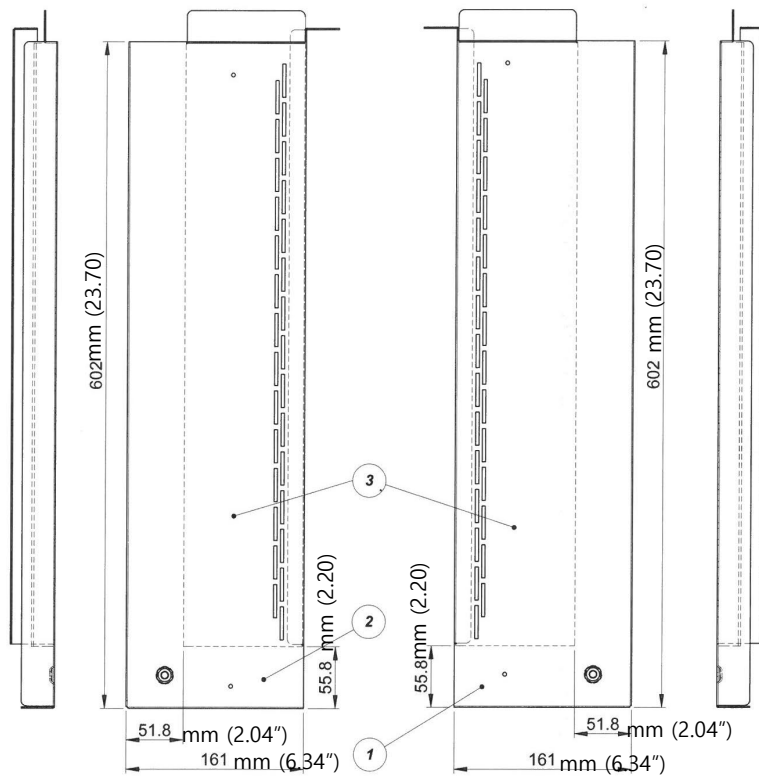
MACHINE SCREW(PAN HEAD,S/W+P/S)  
STS304,M5x10 (MPCQ1020R)



# Bin Top Adaptor: IBT-2230B

## 22" Head on middle position of 30" BIN

(Part code #AC0019098700)



**BIN ADAPTOR(C-L) ASS'Y**  
(4160153-00)

**BIN ADAPTOR(C-R) ASS'Y**  
(4160153-10)

