



Open Base Riser Top Work Table

Stainless Steel Work Tables



Use your smart phone to scan the above QR code to visit our website:
www.bk-resources.com

Certifications:



Features:

- 1 5/8" Legs
- 5" Riser
- Legs Adjust 1" in Height
- Ships KD
- Two Sound Deadened Integrally Welded 5" C Channels to Reinforce & Maintain Level Working Surface
- 96" & 84" Tables Have 6 Legs

Options:

- Single & Double Overshelves
- Drawer Assemblies
- Casters
- Adjustable Table Mount Pot Rack

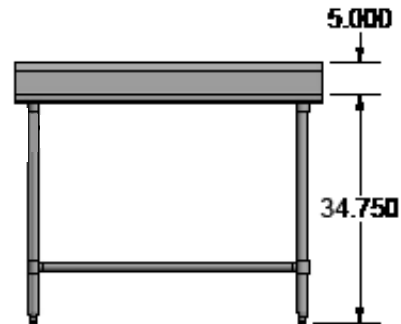
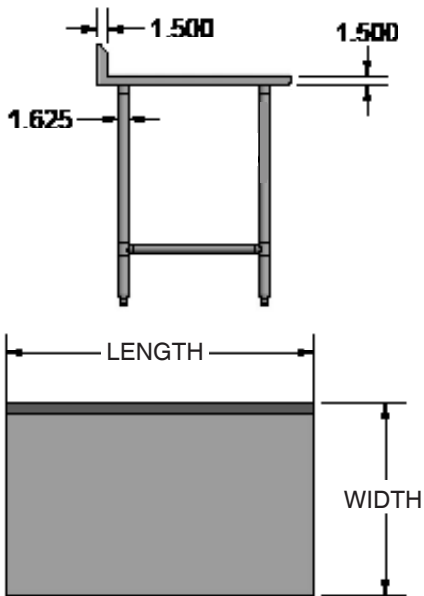


Material:

- T-304 14 ga. Stainless Steel Top
- Stainless Steel Legs & Bracing
- 1 1/4" Adjustable Stainless Steel Feet
- Capacity: 1,200 lbs Evenly Distributed

| Part # | Length | Width | Product Weight (lbs) |
|--------------|--------|-------|----------------------|
| QVTR50B-3030 | 30" | 30" | - |
| QVTR50B-3630 | 36" | 30" | 66.00 |
| QVTR50B-4830 | 48" | 30" | 88.00 |
| QVTR50B-6030 | 60" | 30" | 105.00 |
| QVTR50B-7230 | 72" | 30" | 122.00 |
| QVTR50B-8430 | 84" | 30" | - |
| QVTR50B-9630 | 96" | 30" | 162.00 |

| Part # | Length | Width | Product Weight (lbs) |
|--------------|--------|-------|----------------------|
| QVTR50B-2424 | 24" | 24" | - |
| QVTR50B-3024 | 30" | 24" | - |
| QVTR50B-3624 | 36" | 24" | - |
| QVTR50B-4824 | 48" | 24" | - |
| QVTR50B-6024 | 60" | 24" | - |
| QVTR50B-7224 | 72" | 24" | - |
| QVTR50B-8424 | 84" | 24" | - |
| QVTR50B-9624 | 96" | 24" | - |



1.250 Adjustable Stainless Steel Feet

PRODUCT DATA SHEET

BK RESOURCES

