



The Signature of Quality

### FEDERAL INDUSTRIES

A Standex Company  
215 Federal Avenue  
Belleville, WI 53508-9201  
Phone: 800-356-4206  
Fax: 608-424-3234  
Email: geninfo@federalind.com  
Website: www.federalind.com

Project Name: \_\_\_\_\_

Item #: \_\_\_\_\_

Model #: \_\_\_\_\_ Qty: \_\_\_\_\_

Approval: \_\_\_\_\_

AIA#

SIS#

## HYBRID MERCHANDISER

### SERVICE HOT OVER SELF-SERVE REFRIGERATED

MODEL	DIMENSIONS ( Includes End Panels )
<input type="checkbox"/> CH3628/RSS3SC	36-1/4 x 39 x 69.75 (in) 921 x 991 x 1772 (mm)
<input type="checkbox"/> CH4828/RSS4SC	48 x 39 x 69.75 (in) 1219 x 991 x 1772 (mm)

### SELF-SERVE HOT OVER SELF-SERVE REFRIGERATED

MODEL	DIMENSIONS ( Includes End Panels )
<input type="checkbox"/> CH3628SS/RSS3SC	36-1/4 x 39 x 69.75 (in) 921 x 991 x 1772 (mm)
<input type="checkbox"/> CH4828SS/RSS4SC	48 x 39 x 69.75 (in) 1219 x 991 x 1772 (mm)

Display more product and serve more customers with presentation and value in mind.



## STANDARD FEATURES

### Refrigerated Self-Serve Bottom Display

- Black laminated exterior. Other finishes available.
- Black trim. Silver optional.
- Black interior, glass ends.
- LED Horizontal top and front light.
- Two tiers black metal shelves.
- Cord and plug. (Not available on six foot unit.)
- Electronic temperature control maintains 38° to 40° case temperature. Note: Case temperature will vary if the air curtain is disrupted.
- Thermometer
- R513a Refrigerant

### Service or Self-Serve Hot Top Display

- Two adjustable stainless steel heated shelves.
- Sliding rear doors.
- Stainless steel deck.
- Black trim.
- Humidified air system on service model.
- Self-Serve has three hinged lift-up front doors
- Thermometer

### Lighting

- Incandescent top and shelf lights..

### Agency Approvals

- UL Safety and UL Sanitation Listed to NSF Type II conditions.
- DOE 2017 Compliant

## OPTIONAL ACCESSORIES

### For Top Display

- Reflective Ends
- Reflective Rear Doors

### For Self-Serve Refrigerated Base

- Energy Saving Night Curtain
- Silver Trim
- Special Base Finish
- Mirrored Interior Ends
- Security Night Cover
- Stainless Steel Steps in Lieu of Metal Shelves
- Reflective End Glass



WARRANTY\*  
One year Parts and Labor  
2nd thru 5th year part  
only service compressor  
(U.S.A and Canada)

Note: Information is subject to change at any time.  
Visit [www.federalind.com](http://www.federalind.com) for the most current specs.

AIA#

# SERVICE HOT OVER SELF-SERVICE REFRIGERATED MERCHANDISER

SIS#

## Product Specifications

Intended Environment: Type I - Designed to operate in maximum ambient conditions of 75°F (24°C) and 55% relative humidity unless noted otherwise in system information below.

Zone	Intended Product To Be Displayed	Avg Prod Temp °F/°C
All	Packaged Refrigerated Products	38°F / (3.3°C)

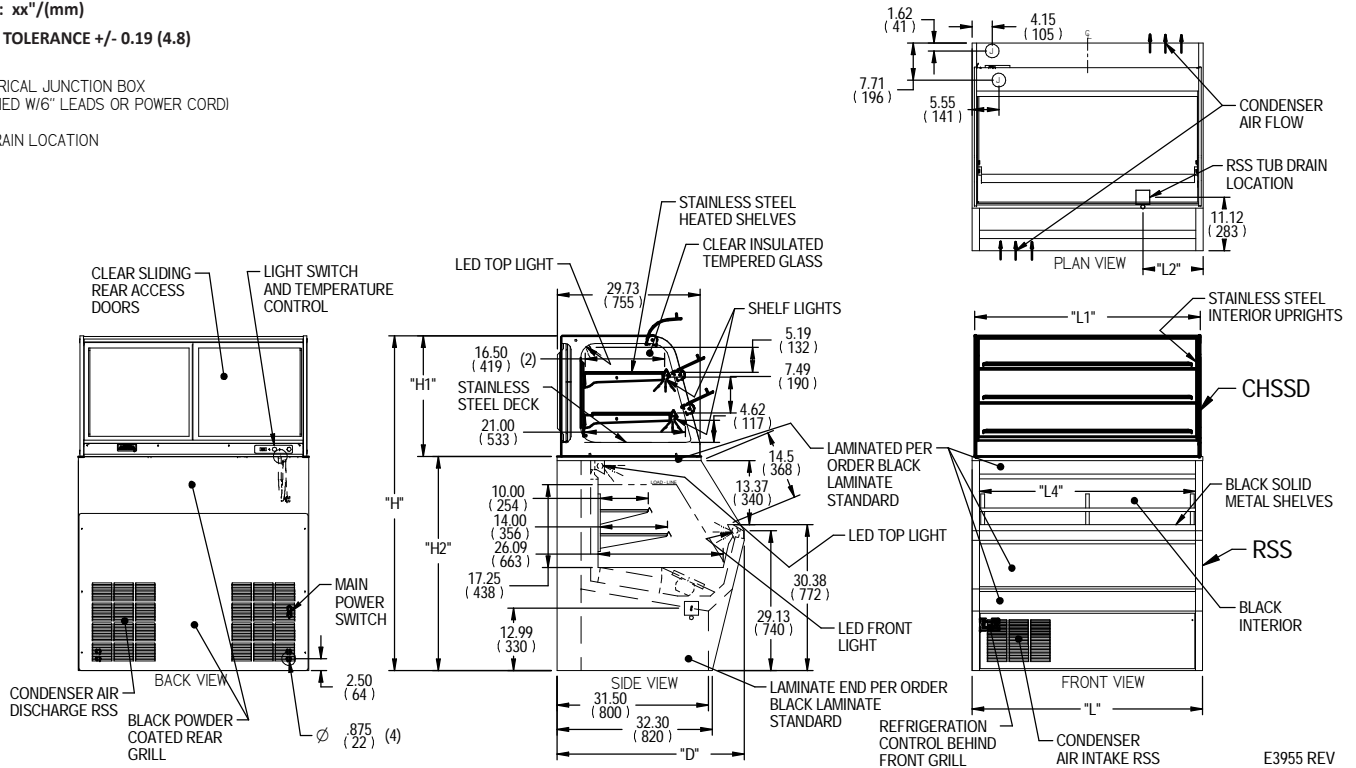
DIMENSION: xx"/(mm)

DIMENSION TOLERANCE +/- 0.19 (4.8)

SYMBOL KEY:

Ⓝ ELECTRICAL JUNCTION BOX  
(SUPPLIED W/6" LEADS OR POWER CORD)

□ TUB DRAIN LOCATION



E3955 REV

MODEL	HYBRID INFO			SELF CONTAINED														
	DIMENSION			INDIV. CASE	DIMENSION			TUB DRAIN	SHELVING			INTERIOR VOLUME CU FT	ELECTRICAL			FREON	C.U. HP	SHIP WGT
	L	D	H		L1	H1	H2		L2	# OF TIERS	L3		L4	2-WIRE + GROUND 120/60/1	AMPS			
	in	in	in	in	in	in	in		in	in								
	mm	mm	mm	QTY	mm	mm	mm	mm		mm	mm						LBS	
CH3628SS/RSS3	36.25	39.00	69.75	CH3628SSD	35.0	25.1			2	33.5		9.25	10.2	15	NEMA 5-15P CORD & PLUG			847 LBS
				1	889	638				851								
CH4828SS/RSS4	48.00	39.00	69.75	CH4828SSD	47.0	25.1			2	45.5		12.50	12.5	15	NEMA 5-15P CORD & PLUG			1010 LBS
				1	1194	638				1156								
CH3628SS/RSS3	921	991	1772	RSS3SC			44.6	12.50	2		33.3	7.18	16	20	NEMA 5-20P CORD & PLUG	R513a	1/2	384 KILO
				1			1133	318			845							
CH4828SS/RSS4	1219	991	1772	RSS4SC			44.63	12.50	2		45.0	9.72	16	20	NEMA 5-20P CORD & PLUG	R513a	1/2	458 KILO
				1			1133	318			1143							

- Refrigerated cases are designed to operate in a maximum of 75°F (24°C) ambient and 55% relative humidity.
- Due to continuing engineering improvements, specifications are subject to change without notice.
- On the six foot display a separate 120/60/1 15 AMP circuit is required for the condensate evaporator.

DOE 2017  
Energy Efficiency  
Compliant



The Signature of Quality®

FEDERAL INDUSTRIES

A Standex Company

215 Federal Avenue Belleville, Wisconsin 53508-9201

Phone: 800-356-4206

Fax: 608-424-3234

Email: Geninfo@Federalind.com

Website: Federalind.com