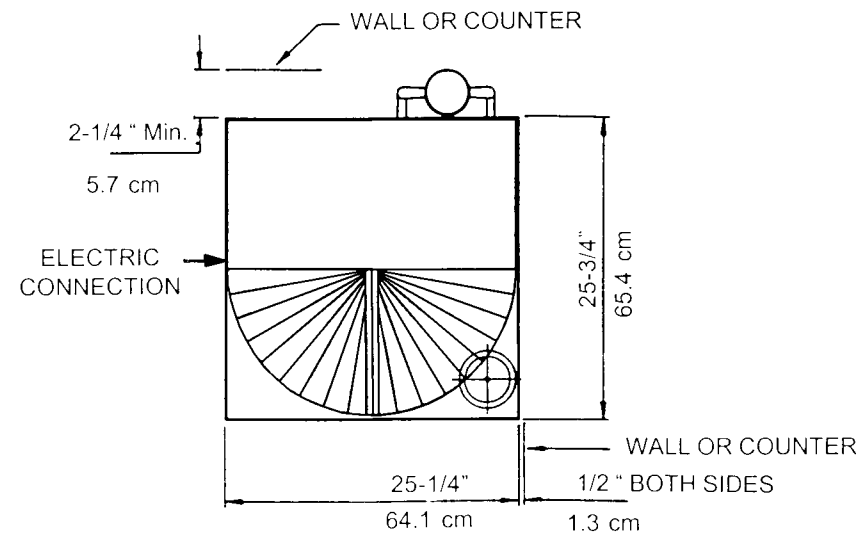


**CAUTION:**

Electrical and Plumbing connections must be made by a qualified Service Person who will assure that the installation is in compliance with all available federal, state, and local Health, Electrical, Plumbing, and Safety codes.



**Model ASQ Specifications**



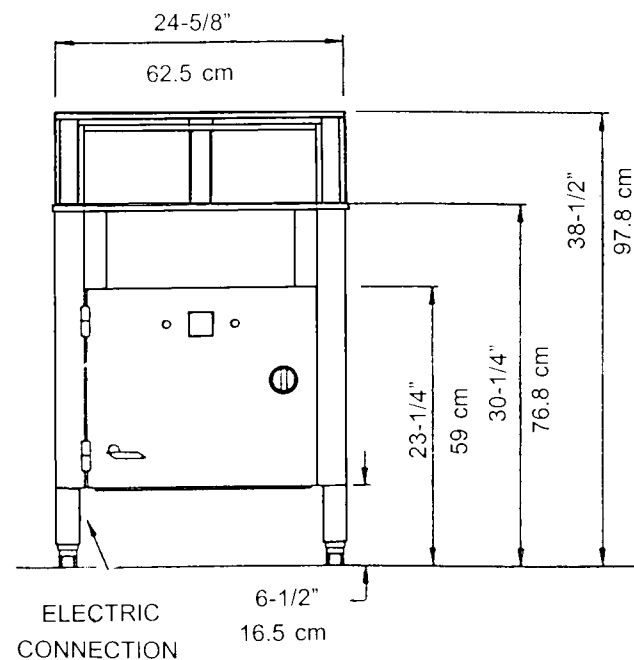
**TOP VIEW**

**CONNECT TO ELECTRICAL SUPPLY SOURCE**  
 USING 14-12 AWG COPPER WIRE  
 CIRCUIT PROTECTION: 15 AMP CIRCUIT BREAKER  
 OR FUSE WITH A 15 AMP RATING

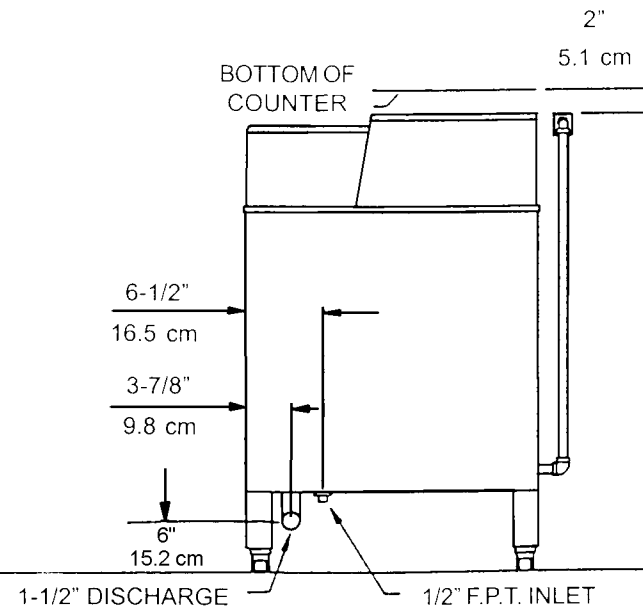
NOTE:  
 All dimensions listed have a tolerance of  
 + or - 1/8" unless otherwise noted.

**MODEL ASQ**

RATED CAPACITY (LOADS PER HOUR)	48
WASH TIME (SECONDS)	40
RINSE TIME (SECONDS)	14
DWELL (SECONDS)	21
TOTAL CYCLE TIME (SECONDS)	75
	57.6 GAL. PER HR.



**FRONT VIEW**



**SIDE VIEW**

WATER TEMPERATURE .....	<b>120°F</b> <b>49°C</b>
WATER CONSUMPTION .....	<b>1.2 GALLONS PER CYCLE</b> <b>4.5 LITERS PER CYCLE</b>
MOTORS. ....	<b>1/2 H.P., 3600 R.P.M.</b> <b>.373 KW</b>
HEATER .....	<b>350 W</b> <b>.350 KW</b>
ELECTRICAL RATINGS .....	<b>115 VOLTS SINGLE PHASE</b> <b>60 HZ</b>
WATER INLET .....	<b>1/2" F.P.T.</b>
DRAIN .....	<b>1 1/2" O.D.</b> <b>3.8 CM</b>
HEIGHT (OVERALL) .....	<b>38-1/2"</b> <b>97.8 cm</b>
WIDTH (OVERALL) .....	<b>25.25"</b> <b>64.1 CM</b>
DEPTH (OVERALL) .....	<b>28"</b> <b>71.1 CM</b>
SHIPPING WEIGHT .....	<b>200 POUNDS</b> <b>91.2 kg</b>
SHIPPING VOLUME .....	<b>32.5 CU. FT.</b> <b>.92 CU.M.</b>

\*Manufacturer reserves the right to modify these specifications in compliance with regulatory agencies and manufacturing expediency.