

# Fusion

GP Combination Prep Case

Structural Concepts®

DELIVERING FRESH. ALWAYS.™

(Lengths do not include 1-1/8" end panels)

- **GP441RR** 48-3/4"L x 52-1/4"D x 55-1/2"H
- **GP641RR** 73-1/8"L x 52-1/4"D x 55-1/2"H
- **GP841RR** 97-1/2"L x 52-1/4"D x 55-1/2"H

## Included

- Integrated average product temperature of 40°F or less
- LED top & shelf lights
- One year parts & labor; 5 year compressor warranty
- Refrigerated rear storage
- Sanalite® cutting board
- Stainless steel rear exterior

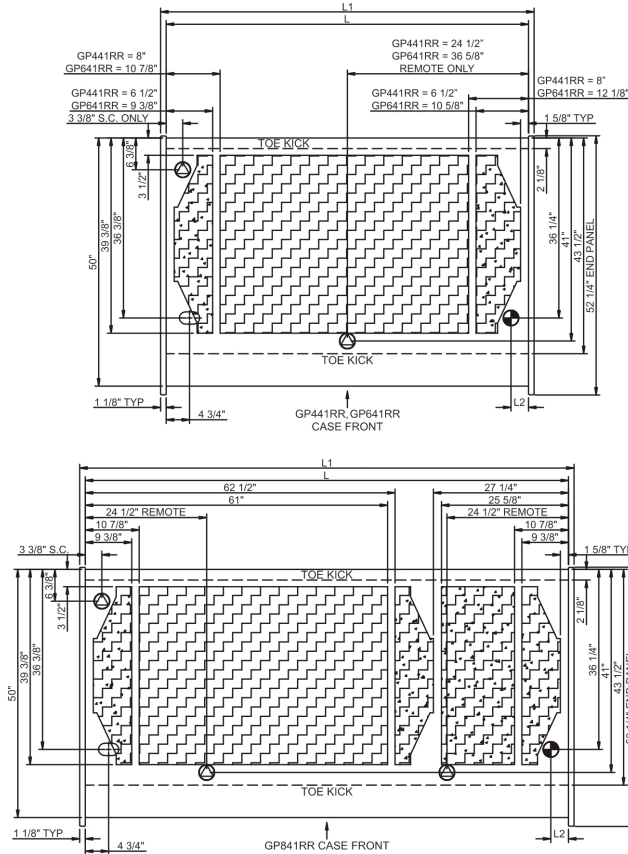


GP441RR

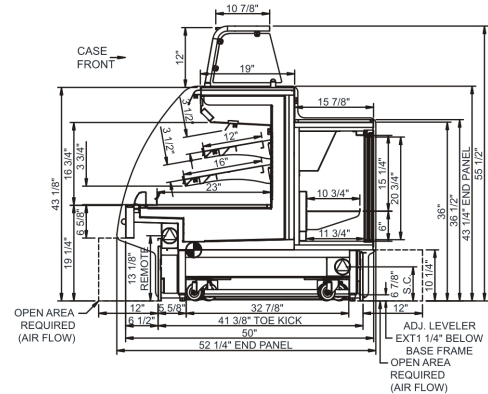
Specify	Standard Features	Additional Options
<b>EXTERIOR COLOR</b>	• Laminate (stock colors)	• Laminate (non-stock colors) • Powder coated (stock/non-stock colors) • Powder coated Silversan Black • Stainless steel
<b>INTERIOR COLOR</b>	• Powder coated Silversan Black	• Stainless steel
<b>LOWER FRONT PANEL COLOR</b>	• Powder coated Silversan Black	• Powder coated (stock/non-stock colors) • Stainless steel
<b>BASE SUPPORT</b>	• Casters w/ levelers (self-cont.)	• Rail system for shims (remote)
<b>BUMPER FRONT</b>	• 1" Boston bumper (specify color)	• 1" Stainless steel plate rail bumper
<b>END PANEL PROFILE</b>	• Curved	• Flat angled
<b>END PANELS</b>	• Full w/stainless steel mirror interior	• None (specify per line-up)
<b>CONDIMENT PANS</b>	• None	• 1/6 size stainless steel pans w/ lids
<b>PRICE TAG MOLDING</b>	• None	• 1" Price tag molding (black or silver) • Universal price tag molding (clear w/ open top)
<b>SHELVING</b>	• 16" Solid shelf	• 12" & 16" Solid shelving
<b>SNEEZE GUARD</b>	• Clear glass w/ stainless steel ADM posts	• Frameless clear glass
<b>LIGHTS</b>	• LED 3500K w/ frosted lens	• LED 4000K w/ frosted lens
<b>NOSE LIGHTS</b>	• None	• LED nose light
<b>ELECTRICAL CONNECTION</b>	• 6' Straight blade power cord (self-cont.)	• 6' Locking power cord (self-cont.) • Electrical leads (remote)
<b>REFRIGERATION</b>	• Breeze self-contained refrigeration	• Remote DX refrigeration • Remote w/thermostat, solenoid & TXV
<b>SENSOR</b>	• None	• CPC discharge air sensor (remote)
<b>ACCESSORIES</b>		• Drain strainer • Night curtain, retractable, non-locking • Removable wire security cover, locking

<b>Intended Environment:</b> Type I - Designed to operate in ambient conditions of 75°F with 55% relative humidity unless noted otherwise in system information below.		
<b>Zone</b>	<b>Intended Product To Be Displayed</b>	<b>Warmest Avg Prod Temp ° F</b>
1	Packaged / unpackaged refrigerated products	40

### PLAN VIEW



### SIDE VIEW



**NOTE: ALL DIMENSIONS APPROXIMATE**

- ELECTRICAL JUNCTION BOX (SUPPLIED WITH 6" LEADS OR POWER CORD).
- REMOTE FLOOR SINK & UTILITIES ACCESS AREA.
- LOCATION OF DRAIN TUBE FOR REMOTE REF. ONLY (SUPPLIED WITH 3/4" OR 1 1/2" PVC TUBE).
- SELF-CONTAINED CASE SERVICE ACCESS AREA.
- REFRIGERATION LINE CONNECTION.
- DRY CASE SERVICE ACCESS AREA.

Model Technical Specifications																
Model	L"	L1"	L2"	System Circuit Volts			Phs	Freq	Amps ***	Watts	Wires	NEMA Plug	SST	Conv. Rack BTUH	Para. Rack BTUH	Est Wt
				Remote (DX)	Circuit #1	110-120										
GP441RR	48.75	51.00	3.50	Remote (DX)	Circuit #1	110-120	1	60	3.45	288	2+G	Leads Multiple	20.00	4450	4120	1,200
				Remote (GLYCOL 35%)	Circuit #1	110-120	1	60	3.45	288	2+G	Leads Multiple	20.00	4450	4120	
				Self-Contained (R449A)	Circuit #1	120/230V	1	60	12.00	2,219	3+G	14-20P or L14-20P	N/A	N/A	N/A	
GP641RR	73.13	75.38	3.50	Remote (DX)	Circuit #1	110-120	1	60	6.37	557	2+G	Leads Multiple	20.00	5486	5080	1,600
				Remote (GLYCOL 35%)	Circuit #1	110-120	1	60	5.57	552	2+G	Leads Multiple	20.00	5486	5080	
				Self-Contained (R449A)	Circuit #1	120/230V	1	60	14.74	2,195	3+G	14-20P or L14-20P	N/A	N/A	N/A	
GP841RR	97.50	99.75	3.50	Remote (DX)	Circuit #1	110-120	1	60	5.86	656	2+G	Leads Multiple	20.00	7690	7120	1,700
				Remote (DX)	Circuit #1	110-120	1	60	7.52	568	2+G	Leads Multiple	20.00	7690	7120	
				Self-Contained (R449A)	Circuit #1	120/230V	1	60	15.55	2,712	3+G	14-20P or L14-20P	N/A	N/A	N/A	

\*\*\* Does not include electric defrost on freezer models.

**Regulatory Approvals:**

All Models	Accordance with AHRI Std 1200 ETL Listed to UL 471 ETL Listed to CAN/CSA 22.2 No. 120 ETL Sanitation to NSF/ANSI 7
------------	---



In Accordance with  
**AHRI Std 1200**

**DOE 2017**  
Energy Efficiency  
Compliant

**Important Notes:**

- 1) ELECTRICAL NOTE: If GFCI is required, a GFCI breaker MUST be used in lieu of a GFCI receptacle
- 2) 55" minimum door entry clearance required (without shipping skid).
- 3) Units must be shimmed during installation to ensure the unit is level and plumb.

**⚠ WARNING:** This product can expose you to chemicals, including Urethane (Ethyl Carbamate), which are known to the State of California to cause cancer and birth defects or other reproductive harm. For more information go to [www.P65Warnings.ca.gov](http://www.P65Warnings.ca.gov).