



16 Ga Heavy Duty Soiled Dish Tables

Dish Tables



Use your smart phone to scan the above QR code to visit our website:
www.bk-resources.com

Certifications:



Features:

- 1 5/8" Rolled Edge
- 20" x 20" x 8" Welded Bowl
- 30 3/8" O.A. Front to Back
- Front to Back End Bracing
- Accepts 8" O.C. Splash Mount Faucets
- 3.5" Drain Included: BKDR-4
- 10" Backsplash

Options:

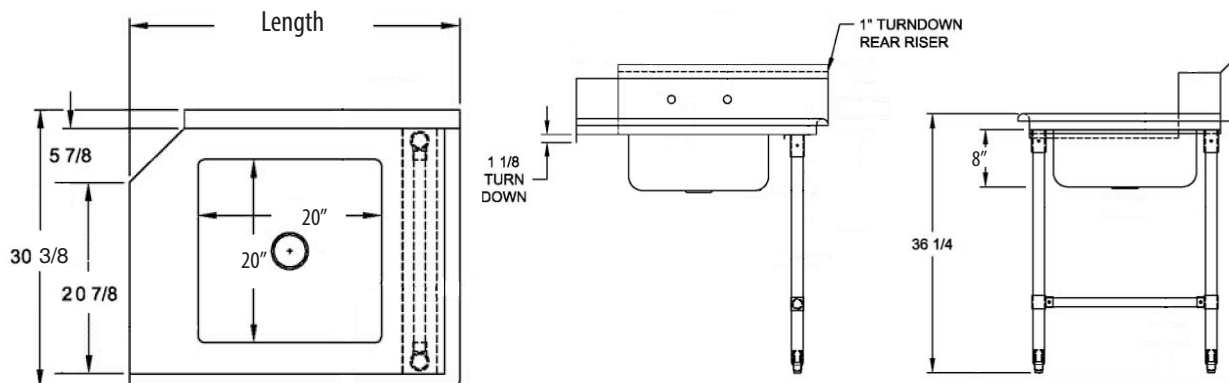
- Pre-Rinse Units & Faucets
- Lever Drains
- Upgraded Bullet Feet
- Pre-Rinse Basket
- Rack Slide

Material:

- T-304 16 ga. Stainless Steel Top & Bowl
- Stainless Steel Legs & Bracing
- Adjustable S/S Over Plastic Bullet Feet



Length	Model
26"	BKSDT6-26-R-SS
	BKSDT6-26-L-SS
36"	BKSDT6-36-R-SS
	BKSDT6-36-L-SS
48"	BKSDT6-48-R-SS
	BKSDT6-48-L-SS
60"	BKSDT6-60-R-SS
	BKSDT6-60-L-SS
72"	BKSDT6-72-R-SS
	BKSDT6-72-L-SS



PRODUCT DATA SHEET

BK RESOURCES

