



Job \_\_\_\_\_ Item No. \_\_\_\_\_

## Grill-Max® Flat Roller Grills

Analog Control/Chrome Coating 30CF

Analog Control/Duratec Coating 30SCF 50SCF

Analog Control/Staltek Coating 50STF

Electronic Control/Duratec Coating 50SCFE

Electronic Control/Staltek Coating 45STFE 50STFE 75STFE



50SCFE

### DESCRIPTION

Star's Grill-Max® roller grills combine the highest quality and lasting performance with the latest technology—providing the most advanced roller grill in the industry. Roller grills are available in a variety of sizes and are perfect for snack bars, convenience stores, recreational facilities, stadiums, and virtually any other food service application.

### SPECIFICATIONS

Grill-Max® roller grills are constructed of stainless steel and use tubular stainless steel sheath elements and your choice of roller coating where available. Heating elements are mounted in a fixed and floating system allowing for lateral expansion to minimize warping. Optional electronic temperature controls provide holding temperature ranges from 145°F to 190°F and heating temperatures up to 220°F. The heavy-duty motor provides 360° rotation of rollers. The units will incorporate Seal-Max, Star's exclusive seal and bearing combination. These units have an eight [8] foot (2.44 m) cord and come with an appropriate NEMA plug to match their power usage and certification standards.

### WARRANTY

These units come with a one [1] year warranty for parts and labor.

### FEATURES

- Exclusive heavy-duty roller bearing design for longer life, smoother operation, and minimal grease-free maintenance
- Optional non-stick coatings offer increased durability
- Optional electronic controls allow for ideal performance, sensing temperature changes and automatically adjusting
- Sectional heat control for mixed product flexibility
- Slim design offers maximum grill space with a minimum footprint
- Flat seating style configuration for the lowest profile possible.

### OPTIONS & ACCESSORIES

- Roller coatings—chrome, Duratec, or Staltek.



Staltek coating

- Glass or polycarbonate sneeze guards
- Merchandising door [30RGMD-F for 30- and 45- models and 50RGMD-F for 50- and 75 models]
- Bun warmers or bun boxes
- Analog or electronic controls



electronic controls

#### ROLLER GRILL MODEL FORMULA

hot dog capacity 20 30 45 50 70

roller coating chrome [C] Duratec [SC] Staltek [ST]

flat design [F]

controls analog [no letter] electronic [E]

### CERTIFICATIONS



**STAR MANUFACTURING INTERNATIONAL INC.**  
265 Hobson Street • Smithville, Tennessee 37166  
Telephone 800 264 7827 • Fax 314 781 5445  
www.star-mfg.com

Printed in the U.S.A. • 2M-Z21716 • Rev C • 12.2019  
Specifications are subject to change without notice and are not intended for installation purposes.



# Grill-Max® Flat Roller Grills

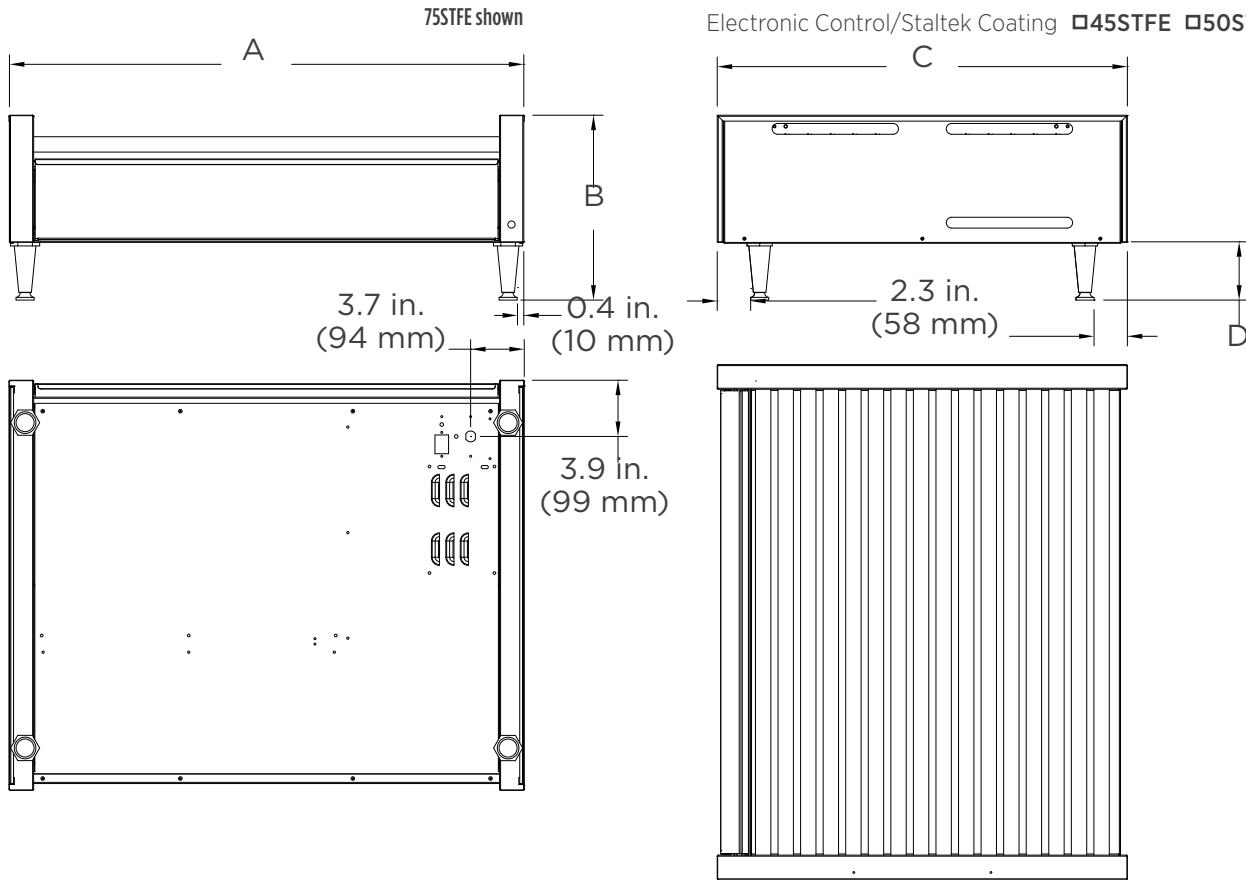
Analog Control/Chrome Coating □30CF

Analog Control/Duratec Coating □30SCF □50SCF

Analog Control/Staltek Coating □50STF

Electronic Control/Duratec Coating □50SCFE

Electronic Control/Staltek Coating □45STFE □50STFE □75STFE



| HOT DOG CAPACITY | WIDTH [A]          | HEIGHT [B]        | DEPTH [C]           | LEG HEIGHT [D] | VOLTS       | WATTS           | AMPS        | NEMA PLUG                                 | APPROX. SHIP WEIGHT | APPROX. WEIGHT INSTALLED |
|------------------|--------------------|-------------------|---------------------|----------------|-------------|-----------------|-------------|---|---------------------|--------------------------|
| 30 Hot Dogs      | 23.75 in. (603 mm) | 9.8 in. (249 mm)  | 20.625 in. (524 mm) | 1 in. (25 mm)  | 120<br>230  | 1,150<br>1,150  | 9.6<br>5    | 5-15P<br>CEE 7/7                          | 53 lb. (24 kg)      | 42 lb. (19.1 kg)         |
| 45 Hot Dogs      | 23.75 in. (603 mm) | 9.8 in. (249 mm)  | 28.4 in. (721 mm)   | 1 in. (25 mm)  | 120         | 1,650           | 13.6        | 5-15P <sup>1</sup>                        | 68 lb. (30.8 kg)    | 50 lb. (22.7 kg)         |
| 50 Hot Dogs      | 35.75 in. (908 mm) | 9.8 in. (249 mm)  | 20.625 in. (524 mm) | 1 in. (25 mm)  | 120<br>230  | 1,535<br>1,535  | 12.8<br>6.7 | 5-15P <sup>1</sup><br>BS1363 <sup>2</sup> | 70 lb. (31.8 kg)    | 53 lb. (24 kg)           |
| 75 Hot Dogs      | 35.75 in. (908 mm) | 12.8 in. (325 mm) | 28.4 in. (721 mm)   | 4 in. (102 mm) | 208/<br>240 | 1,810/<br>2,400 | 8.7/10      | 6-20P                                     | 108 lb. (49 kg)     | 80 lb. (36.3 kg)         |

<sup>1</sup>5-20P for CSA    <sup>2</sup>with 10-amp fuse

Due to periodic changes in designs, methods, procedures, policies and regulations, the specifications contained in this sheet are subject to change without notice. While Star Manufacturing exercises good faith efforts to provide information that is accurate, we are not responsible for errors or omissions in information provided or conclusions reached as a result of using the specifications. By using the information provided, the user assumes all risks in connection with such use.



## STAR MANUFACTURING INTERNATIONAL INC.

265 Hobson Street • Smithville, Tennessee 37166

Telephone 800 264 7827 • Fax 314 781 5445

www.star-mfg.com

Printed in the U.S.A. • 2M-Z21716 • Rev C • 12.2019

Please refer to the owner's manual for information regarding installation or use.