

**PRODUCT NAME: STAINLESS STEEL
8" BACKSPASH PRE-RINSE WITH EZ
INSTALL ADAPTERS**

- MODEL:**
- 52922 8" BACKSPASH PRI-RINSE W/ LEVER HANDLES
 - 74497 8" BACKSPASH PRI-RINSE W/ WRIST HANDLES

FEATURES

- CONTROL VALVE**
- * 8" C/C BACKSPASH MOUNT
 - * CONCENTRICS
 - * INTERNAL SPRING LOADED CHECK VALVES
 - * SWIVELLING SEAT DISKS
 - * HOT SIDE STEM - RIGHT HAND
 - * COLD SIDE STEM - LEFT HAND
 - * STAINLESS STEEL SEATS
 - * STAINLESS STEEL SEAT SCREWS
 - * STAINLESS STEEL HANDLE SCREWS
 - * EZ INSTALL ADAPTERS - T&S, CHI, KROWNE

HOSE

- * 36" LENGTH
- * STAINLESS STEEL END FITTINGS
- * STAINLESS STEEL EXTERNAL JACKET
- * 3 PLY FIBER REINFORCED INTERNAL RUBBER HOSE
- * REPAIRABLE IN FIELD WITH SIMPLE TOOLS

ULTRA SPRAY VALVE

- * LOWEST ENERGY USER - 1.15 GPM @ 60 PSI
- * CLEANS FASTER - TEST PROVEN
- * ENGINEERED TO LAST - NO 'O' RINGS TO LEAK
- * INTERCHANGEABLE - FITS ALL BRANDS

WALL BRACKET

- * ADJUSTS FROM 2" TO 12"

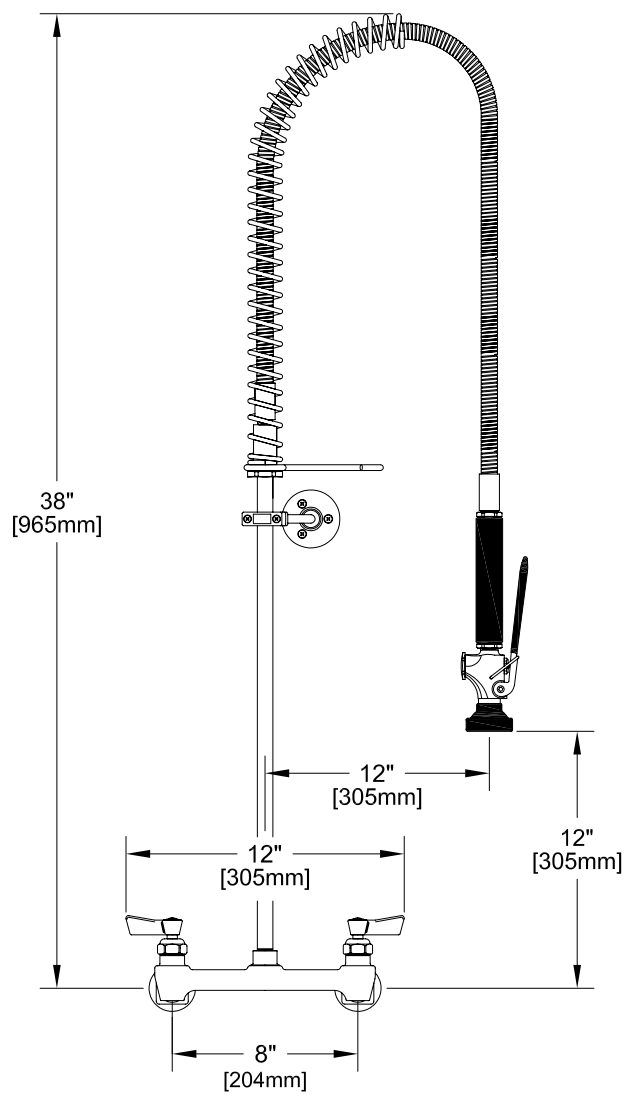
SYSTEM LIMITS

- * TEMP: 40°F MIN. TO 140°F MAX.
- * PRESSURE: 200 PSI MAX. STATIC

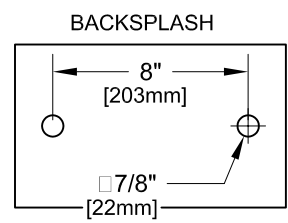
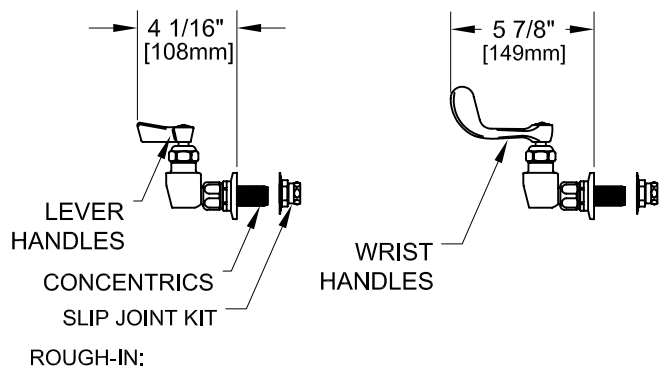
SHIPPING WEIGHT

- * 12.0 LBS

* NSF 61-9 APPROVED & LISTED
www.truesdail.com



8" C/C BACKSPASH FAUCET



ANSI/A112.18.1-2005

FISHER
FISHER MANUFACTURING COMPANY
TOLL FREE: 800-421-6162 - FAX: 800-832-8238
information@fisher-mfg.com - www.fisher-mfg.com