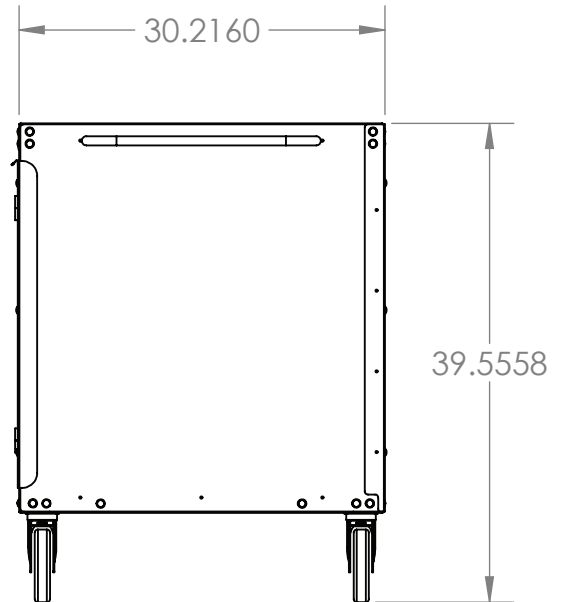
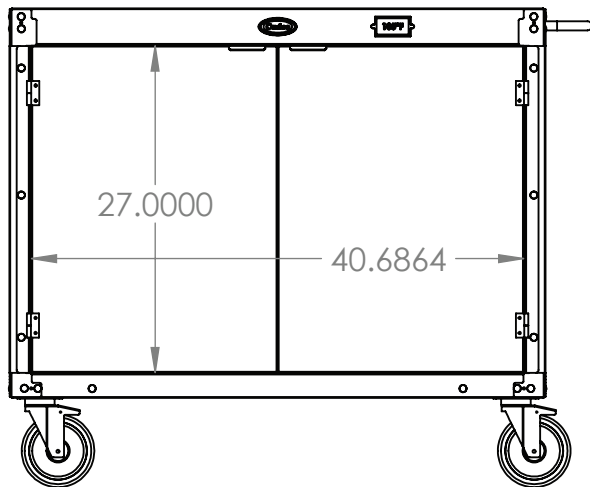
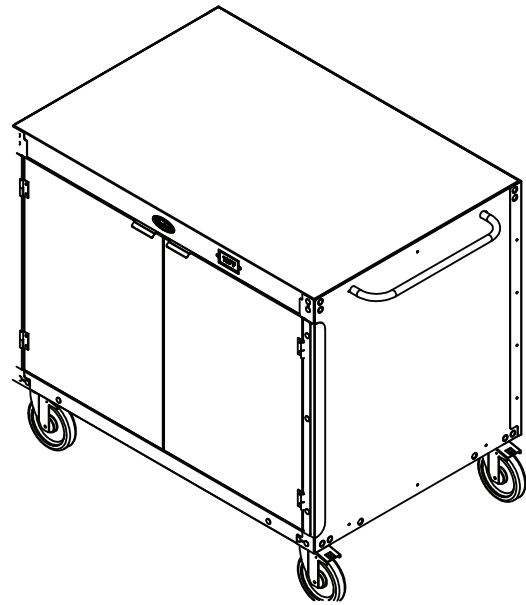
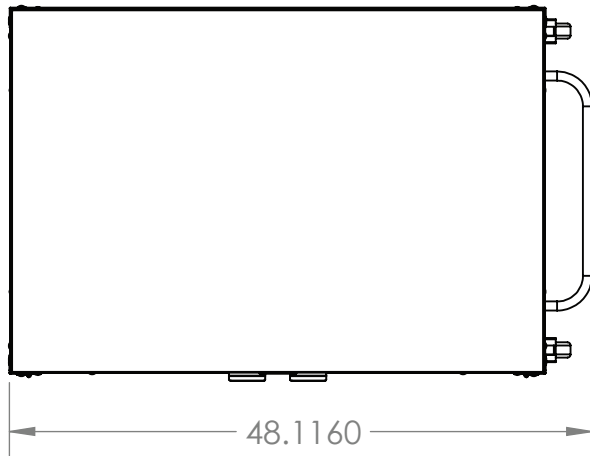




Non Electric Heat Runner Pro Cart



Model: CC-NEHC-II-H



Shipping Dims: **W42" X H62" X D48"** Shipping Weights: **300lbs**

Ethanol Gel Chafing Fuel Can designed for superior heat output and maintaining essential food temperatures.
Single Can 6.1oz can burns up to 2.25 hours.

UL Validated for safe and clean burning, indoors and outdoors

Ignites immediately and consistently generates the maximum heat to keep food temperature in the safe serving zone

Ethanol gel is USDA Certified Bio-Based, non-toxic, odorless, biodegradable and safe for cooking

