

# Fusion

GHSS 60"H Refrigerated Self-Service Case Remote w/ Flat Profile

**Structural Concepts®**

DELIVERING FRESH. ALWAYS.™

- **GHSS460R** 51"L x 43"D x 59-5/8"H
- **GHSS660R** 75-3/8"L x 43"D x 59-5/8"H

## Included

- Remote DX refrigeration
- LED top & shelf lights
- One year parts & labor warranty
- Stainless steel rear exterior
- Warmest average product temperature of 40°F or less



**GHSS660R**

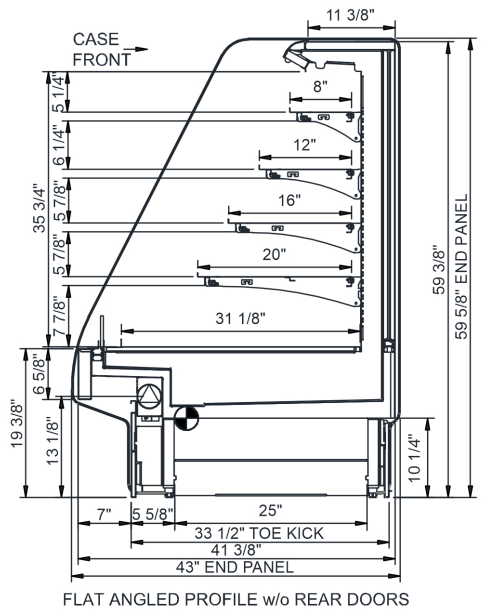
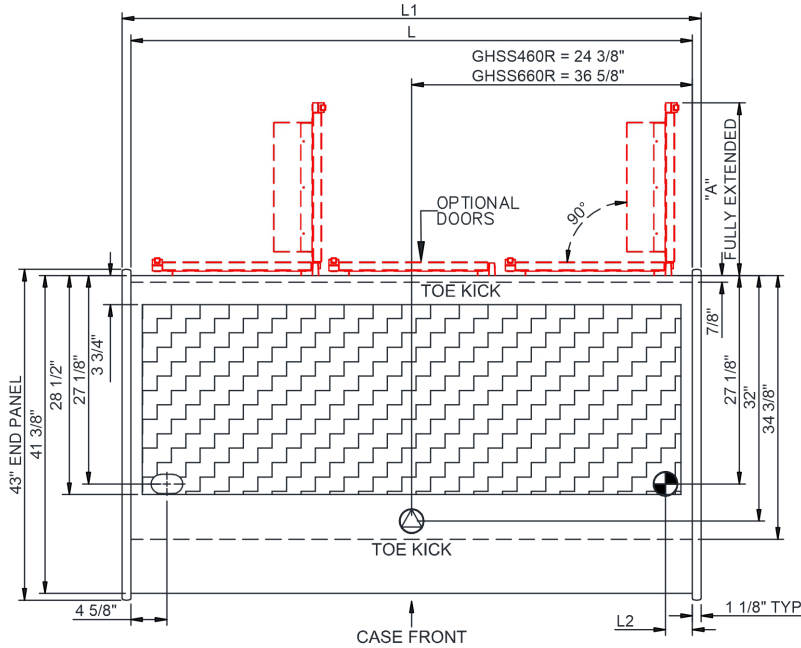
Specify	Standard Features	Additional Options
<b>EXTERIOR COLOR</b>	• Laminate (stock colors)	• Laminate (non-stock colors) • Powder coated (stock/non-stock colors) • Powder coated Silversan Black • Stainless steel
<b>INTERIOR COLOR</b>	• Powder coated Silversan Black	• Stainless steel
<b>LOWER FRONT PANEL COLOR</b>	• Powder coated Silversan Black	• Powder coated (stock/non-stock colors) • Stainless steel
<b>BASE SUPPORT</b>	• Rail system for shims (remote)	
<b>BUMPER FRONT</b>	• 1" Boston bumper (specify color)	• 1" Stainless steel plate rail bumper
<b>END PANELS</b>	• Full w/stainless steel mirror interior	• Cutaway w/glass • None (specify per line-up)
<b>SCALE STAND</b>	• None	<sup>1</sup> • Scale stand w/ receptacle & CAT5 (specify location) • Scale stand w/ receptacle (specify location)
<b>PRICE TAG MOLDING</b>	• None	• 1" Price tag molding (black or silver) • Universal price tag molding (clear w/ open top)
<b>REAR DOORS</b>	• None (solid back panel)	• Solid rear swinging doors
<b>SHELVING</b>	• 10" & 14" & 18" & 22" Solid shelving	• 10" & 14" & 18" & 22" Glass shelving
<b>LIGHTS</b>	• LED 3500K w/ frosted lens	• LED 4000K w/ frosted lens
<b>ELECTRICAL CONNECTION</b>	• Electrical leads (remote)	
<b>REFRIGERATION</b>	• Remote DX refrigeration	• Remote w/thermostat, solenoid & TXV
<b>SENSOR</b>	• None	• CPC discharge air sensor (remote)
<b>MISCELLANEOUS</b>		• Rear door lock
<b>ACCESSORIES</b>		• Drain strainer • Night curtain, retractable, non-locking • Removable wire security cover, locking

Option Notes: 1 - Separate circuit required

<b>Intended Environment:</b> Type I - Designed to operate in ambient conditions of 75°F with 55% relative humidity unless noted otherwise in system information below.		
<b>Zone</b>	<b>Intended Product To Be Displayed</b>	<b>Warmest Avg Prod Temp ° F</b>
1	Packaged refrigerated products	40

PLAN VIEW

SIDE VIEW



NOTE: GHSS460R - (A) = 21" - (2) DOORS LH HINGED  
 GHSS660R - (A) = 22 1/2" - (3) DOORS LH HINGED

NOTE: ALL DIMENSIONS APPROXIMATE

- ELECTRICAL JUNCTION BOX (SUPPLIED WITH 6" LEADS OR POWER CORD).
- LOCATION OF DRAIN TUBE FOR REMOTE REF. ONLY (SUPPLIED WITH 3/4" OR 1 1/2" PVC TUBE).

- REFRIGERATION LINE CONNECTION.
- REMOTE FLOOR SINK & UTILITIES ACCESS AREA.

- SELF-CONTAINED CASE SERVICE ACCESS AREA.
- DRY CASE SERVICE ACCESS AREA.

Model Technical Specifications																
Model	L"	L1"	L2"	System Circuit Volts			Phs	Freq	Amps ***	Watts	Wires	NEMA Plug	SST	Conv. Rack RTUH	Para. Rack RTUH	Est Wt
GHSS460R	48.75	51.00	3.50	Remote (DX)	Circuit #1	110-120	1	60	2.05	210	2+G	Leads Multiple	20.00	6091	5640	1,100
GHSS660R	73.13	75.38	3.50	Remote (DX)	Circuit #1	110-120	1	60	3.42	316	2+G	Leads Multiple	20.00	9072	8400	1,200
				Remote (GLYCOL 35%)	Circuit #1	110-120	1	60	3.42	316	2+G	Leads Multiple	20.00	9072	8400	

\*\*\* Does not include electric defrost on freezer models.

**Regulatory Approvals:**

All Models  
 Accordance with AHRI Std 1200  
 ETL Listed to UL 471  
 ETL Listed to CAN/CSA 22.2 No. 120  
 ETL Sanitation to NSF/ANSI 7



In Accordance with  
**AHRI Std 1200**

**DOE 2017**  
 Energy Efficiency  
 Compliant

**Important Notes:**

- 1) ELECTRICAL NOTE: If GFCI is required, a GFCI breaker MUST be used in lieu of a GFCI receptacle
- 2) 45" minimum door entry clearance required (without shipping skid).
- 3) Units must be shimmed during installation to ensure the unit is level and plumb.

**⚠ WARNING:** This product can expose you to chemicals, including Urethane (Ethyl Carbamate), which are known to the State of California to cause cancer and birth defects or other reproductive harm. For more information go to [www.P65Warnings.ca.gov](http://www.P65Warnings.ca.gov).