



**GOLD MEDAL® PRODUCTS CO.**

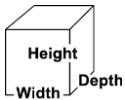
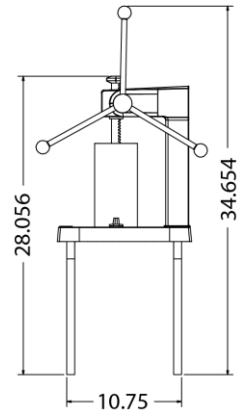
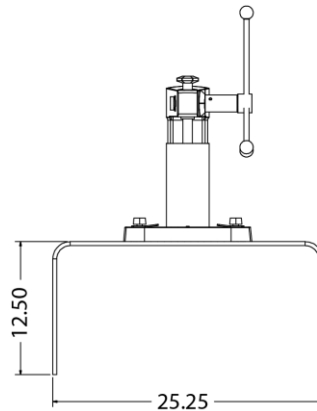
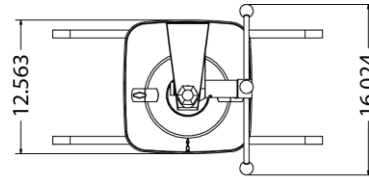
# Hollow Extruder

Model No. 9005

## Specifications



General image shown for reference.



### Overall Dimensions:

**Width:** 25.25"  
**Depth:** 16.024"  
**Height:** 34.654"

### Features:

- Produces a star shaped Churro approx. 1" dia. with a 3/8" dia. hole in the middle.
- Anodized aluminum construction.
- Includes two "dough holding" canisters with caps.
- Easy disassembly for cleaning.

### Agency Approvals:



**Gold Medal Products Co.**  
10700 Medallion Drive, Cincinnati, OH 45241

Ph: (513) 769-7676, (800) 543-0862; Fax: (513) 769-8500  
gmpopcorn.com info@gmpopcorn.com