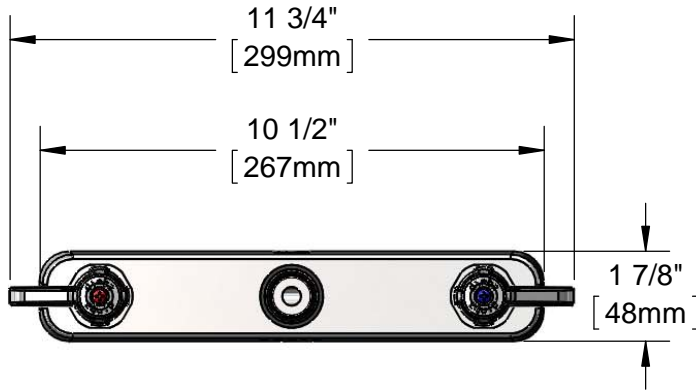
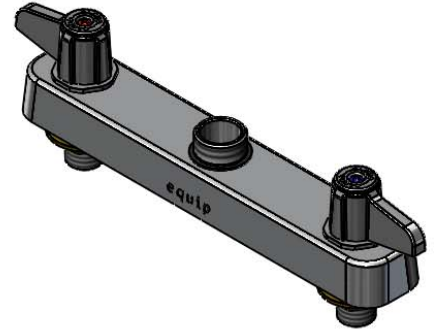


This Space for Architect/Engineer Approval

Job Name _____ Date _____
 Model Specified _____ Quantity _____
 Customer/Wholesaler _____
 Contractor _____
 Architect/Engineer _____

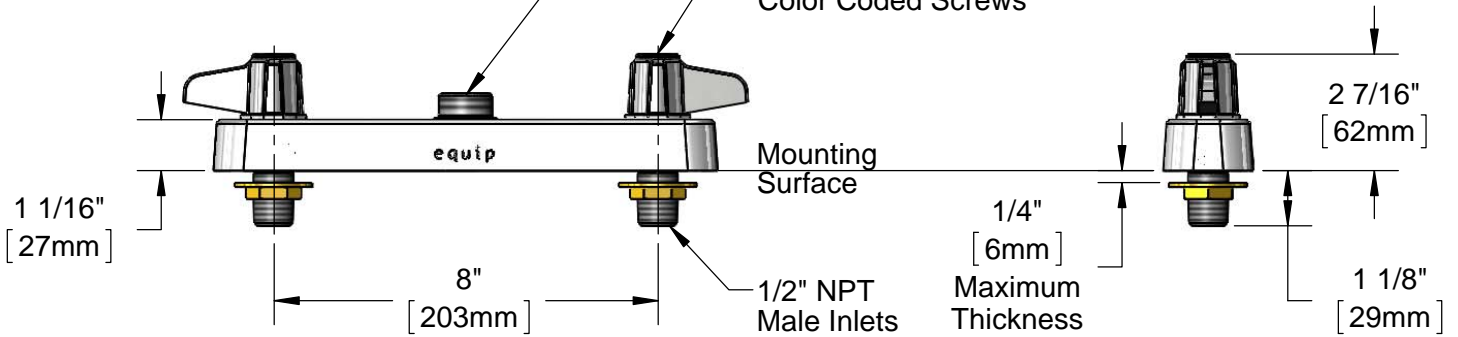


ADA Compliant



Swivel Outlet Accepts equip Swivel Nozzles. Rigid Conversion Requires 014200-45 Lock Washer (Sold Separately)

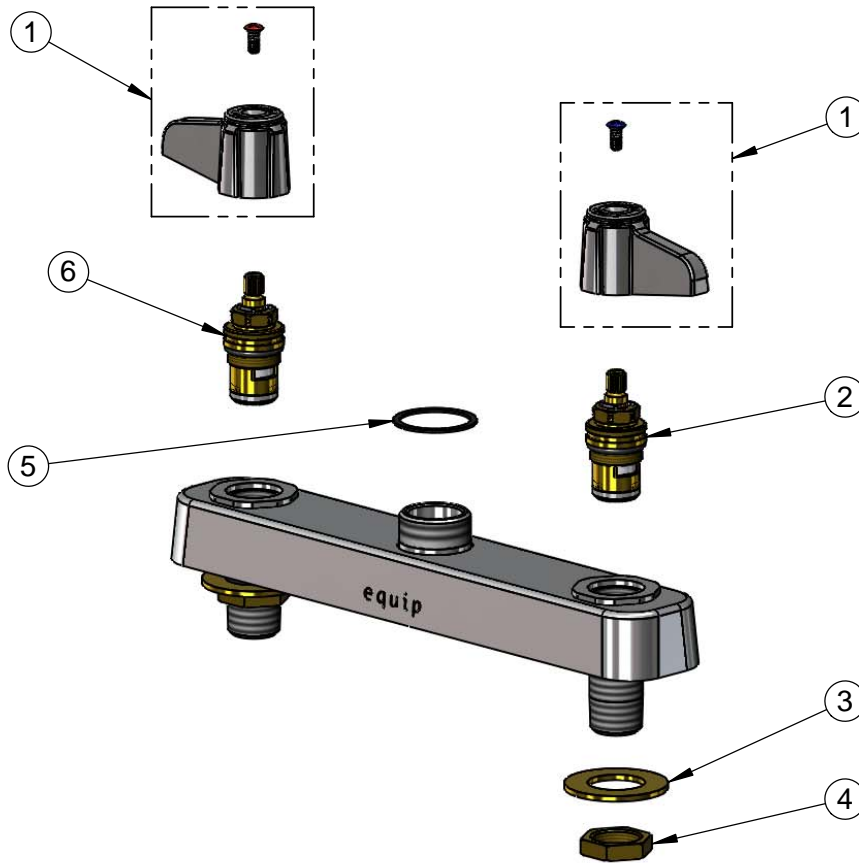
Ceramic Cartridges & equip Lever Handles w/ Color Coded Screws



Rough-In Requirement:
 (2) ϕ 1" [25mm] Mounting Holes

Model Number <p style="text-align: center;">5F-8CLX00</p>	Product Specifications: <p style="text-align: center;">8" Deck Mount Workboard Mixing Faucet Less Nozzle w/ Ceramic Cartridges, equip Lever Handles & 1/2" NPT Male Inlets</p>
Product Compliance: ASME A112.18.1 / CSA B125.1 NSF 61 - Section 9 NSF 372 (Low Lead Content) ANSI A117.1 (ADA)	<div style="display: flex; justify-content: space-between; align-items: center;"> <div data-bbox="602 1906 740 1980"> equip Foodservice Accessories </div> <div data-bbox="745 1858 1089 2030"> </div> <div data-bbox="1097 1894 1570 1995"> 2 Saddleback Cove, P.O. Box 1088 Travelers Rest, South Carolina 29690 Phone: 800.891.4808 Fax: 800.868.0084 equip.tsbrass.com </div> </div>

ITEM NO.	SALES NO.	DESCRIPTION
1	5-HDL-L	equip Lever Handle w/ Color Coded Screws
2	013788-45	equip Ceramic Cartridge, LTC
3	000999-45	Brass Lock Washer
4	002954-45	Shank Lock Nut
5	017587-45	Swivel Nut Seal
6	013787-45	equip Ceramic Cartridge, RTC



Model Number
5F-8CLX00

Product Specifications:
8" Deck Mount Workboard Mixing Faucet Less Nozzle
w/ Ceramic Cartridges, equip Lever Handles & 1/2" NPT Male Inlets

Product Compliance:
ASME A112.18.1 / CSA B125.1
NSF 61 - Section 9
NSF 372 (Low Lead Content)
ANSI A117.1 (ADA)

equip
Foodservice
Accessories



2 Saddleback Cove, P.O. Box 1088
Travelers Rest, South Carolina 29690
Phone: 800.891.4808 Fax: 800.868.0084
equip.tsbrass.com