



Profit from the Eagle Advantage®

Specification Sheet

Short Form Specifications

Eagle Soiled Dishtables, model _____. Top to be 16/430, 16/304, or 14/304 stainless steel with all seams welded, ground smooth, and polished. Front and ends to have 3"-high upturn with a 1½"-diameter rolled edge. Galvanized hat channels welded to underside. Backsplash is 8"-high. 20½" opening for dishwasher. 20" x 20" x 5" deep stainless steel prerinse sink with basket drain, hole for deck mounted prerinse spray, and rubber scrap block provided. Legs to be 1½" O.D. galvanized tubing with 1" diameter crossbracing and adjustable bullet feet (14/304 models come standard with stainless steel hat channels welded to underside of table, stainless steel crossbraced legs, and adjustable metal feet).



left-hand model

Options / Accessories

- Rack slides
- Scrap basket
- Scrap basket/
rack slide combo
- Prerinse unit
- Faucets
- Undershelf
- Stainless steel legs
- Stainless steel gussets
- Stainless steel feet

EAGLE GROUP

100 Industrial Boulevard, Clayton, DE 19938-8903 USA
 Phone: 302-653-3000 • 800-441-8440 • Fax: 302-653-2065
www.eaglegrp.com
www.eaglegrpnews.com
www.eaglemhc.com

For custom configuration or fabrication needs, contact our **SpecFAB® Division**.
 Phone: 302-653-3000 • Fax: 302-653-2065 • e-mail: quotes@eaglegrp.com

Item No.: _____
 Project No.: _____
 S.I.S. No.: _____

Soiled Dishtables— Straight Design

MODELS:

- | | | |
|---------------------------------------|---------------------------------------|--|
| <input type="checkbox"/> SDTL-30-16/4 | <input type="checkbox"/> SDTL-60-16/4 | <input type="checkbox"/> SDTL-96-16/4 |
| <input type="checkbox"/> SDTL-30-16/3 | <input type="checkbox"/> SDTL-60-16/3 | <input type="checkbox"/> SDTL-96-16/3 |
| <input type="checkbox"/> SDTL-30-14/3 | <input type="checkbox"/> SDTL-60-14/3 | <input type="checkbox"/> SDTL-96-14/3 |
| <input type="checkbox"/> SDTR-30-16/4 | <input type="checkbox"/> SDTR-60-16/4 | <input type="checkbox"/> SDTR-96-16/4 |
| <input type="checkbox"/> SDTR-30-16/3 | <input type="checkbox"/> SDTR-60-16/3 | <input type="checkbox"/> SDTR-96-16/3 |
| <input type="checkbox"/> SDTR-30-14/3 | <input type="checkbox"/> SDTR-60-14/3 | <input type="checkbox"/> SDTR-96-14/3 |
| <input type="checkbox"/> SDTL-36-16/4 | <input type="checkbox"/> SDTL-72-16/4 | <input type="checkbox"/> SDTL-108-16/4 |
| <input type="checkbox"/> SDTL-36-16/3 | <input type="checkbox"/> SDTL-72-16/3 | <input type="checkbox"/> SDTL-108-16/3 |
| <input type="checkbox"/> SDTL-36-14/3 | <input type="checkbox"/> SDTL-72-14/3 | <input type="checkbox"/> SDTL-108-14/3 |
| <input type="checkbox"/> SDTR-36-16/4 | <input type="checkbox"/> SDTR-72-16/4 | <input type="checkbox"/> SDTR-108-16/4 |
| <input type="checkbox"/> SDTR-36-16/3 | <input type="checkbox"/> SDTR-72-16/3 | <input type="checkbox"/> SDTR-108-16/3 |
| <input type="checkbox"/> SDTR-36-14/3 | <input type="checkbox"/> SDTR-72-14/3 | <input type="checkbox"/> SDTR-108-14/3 |
| <input type="checkbox"/> SDTL-48-16/4 | <input type="checkbox"/> SDTL-84-16/4 | <input type="checkbox"/> SDTL-120-16/4 |
| <input type="checkbox"/> SDTL-48-16/3 | <input type="checkbox"/> SDTL-84-16/3 | <input type="checkbox"/> SDTL-120-16/3 |
| <input type="checkbox"/> SDTL-48-14/3 | <input type="checkbox"/> SDTL-84-14/3 | <input type="checkbox"/> SDTL-120-14/3 |
| <input type="checkbox"/> SDTR-48-16/4 | <input type="checkbox"/> SDTR-84-16/4 | <input type="checkbox"/> SDTR-120-16/4 |
| <input type="checkbox"/> SDTR-48-16/3 | <input type="checkbox"/> SDTR-84-16/3 | <input type="checkbox"/> SDTR-120-16/3 |
| <input type="checkbox"/> SDTR-48-14/3 | <input type="checkbox"/> SDTR-84-14/3 | <input type="checkbox"/> SDTR-120-14/3 |

Design and Construction Features

- 16 or 14 gauge stainless steel.
- 30" (762mm)-wide table with choice of nine lengths.
- Left or right hand operation.
- 20" x 20" x 5" (508 x 508 x 127mm) prerinse sink punched for standard basket drain.
- Hole supplied for deck-mount prerinse.
- Adjustable non-marking feet with up to 1" (25mm) adjustment.
- 1½" (41mm)-diameter galvanized legs with welded 1" (25mm)-diameter crossbrace.
- All Spec-Master® 14 gauge type 304 dishtables come standard with stainless steel crossbraced legs and gussets, complete with stainless steel feet.
- Scrap block automatically provided on left-hand models 48" (1219mm) and longer, and right-hand models 60" (1524mm) and longer. To specify no scrap block desired, add suffix "-NSB" to model number (ex: SDTL-48-16/4-NSB)
- Soiled Dishtable Kit available. Includes scrap basket, rack slide, and T&S prerinse faucet #313295. To order, add suffix "-SRP" (ex: SDTR-60-16/3-SRP).

Certifications / Approvals



AutoQuotes



EG50.02 Rev. 12/22

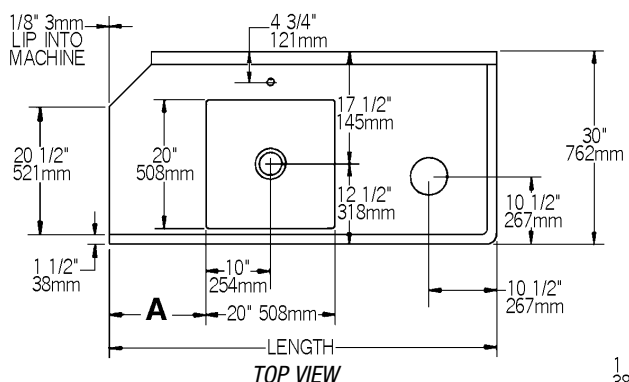
Spec sheets available for viewing, printing or downloading from our online literature library at our websites



Profit from the Eagle Advantage®

Item No.: _____
 Project No.: _____
 S.I.S. No.: _____

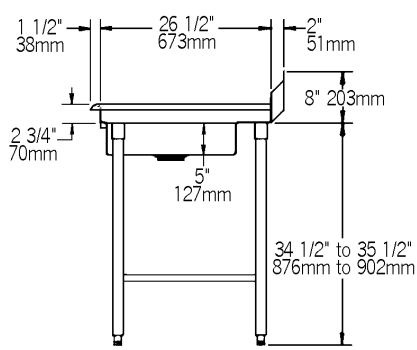
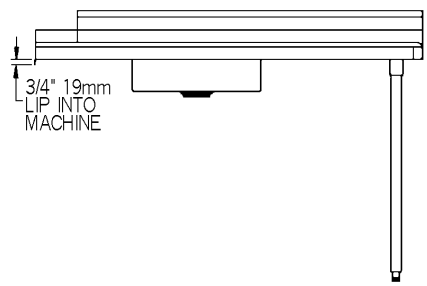
Soiled Dishtables—Straight Design



Dimension A

- 3½" – for 30" & 36" tables L or R, and 48" left only.
- 15" – for 48" right and 60" & 72" both L or R.
- 23½" – for 84" & 96" tables.

Please review dishwasher for size and location of control box.



(right-hand model shown)

16 gauge type 430 model #	16 gauge type 304 model #	Spec-Master® 14 gauge type 304 model #	description	length		weight	
				in.	mm	lbs.	kg
SDTL-30-16/4	SDTL-30-16/3	SDTL-30-14/3	left-hand model	30"	762	44	20.0
SDTR-30-16/4	SDTR-30-16/3	SDTR-30-14/3	right-hand model	30"	762	44	20.0
SDTL-36-16/4	SDTL-36-16/3	SDTL-36-14/3	left-hand model	36"	914	49	22.2
SDTR-36-16/4	SDTR-36-16/3	SDTR-36-14/3	right-hand model	36"	914	49	22.2
SDTL-48-16/4*	SDTL-48-16/3*	SDTL-48-14/3*	left-hand model	48"	1219	63	29.6
SDTR-48-16/4	SDTR-48-16/3	SDTR-48-14/3	right-hand model	48"	1219	63	29.6
SDTL-60-16/4*	SDTL-60-16/3*	SDTL-60-14/3*	left-hand model	60"	1524	77	34.9
SDTR-60-16/4*	SDTR-60-16/3*	SDTR-60-14/3*	right-hand model	60"	1524	77	34.9
SDTL-72-16/4*	SDTL-72-16/3*	SDTL-72-14/3*	left-hand model	72"	1829	91	41.3
SDTR-72-16/4*	SDTR-72-16/3*	SDTR-72-14/3*	right-hand model	72"	1829	91	41.3
SDTL-84-16/4*	SDTL-84-16/3*	SDTL-84-14/3*	left-hand model	84"	2134	173	78.5
SDTR-84-16/4*	SDTR-84-16/3*	SDTR-84-14/3*	right-hand model	84"	2134	173	78.5
SDTL-96-16/4*	SDTL-96-16/3*	SDTL-96-14/3*	left-hand model	96"	2438	223	101.2
SDTR-96-16/4*	SDTR-96-16/3*	SDTR-96-14/3*	right-hand model	96"	2438	223	101.2
SDTL-108-16/4*	SDTL-108-16/3*	SDTL-108-14/3*	left-hand model	108"	2743	224	101.6
SDTR-108-16/4*	SDTR-108-16/3*	SDTR-108-14/3*	right-hand model	108"	2743	224	101.6
SDTL-120-16/4*	SDTL-120-16/3*	SDTL-120-14/3*	left-hand model	120"	3048	247	112.0
SDTR-120-16/4*	SDTR-120-16/3*	SDTR-120-14/3*	right-hand model	120"	3048	247	112.0

* Scrap block provided with these models. To order one of these models with no scrap block, add suffix "-NSB" on end of model number. Example: SDTL-60-14/3-NSB

EAGLE GROUP
 100 Industrial Boulevard, Clayton, DE 19938-8903 USA
 Phone: 302-653-3000 or 800-441-8440 • Fax: 302-653-2065
 www.eaglegrp.com • www.eaglegrpnews.com • www.eaglehmc.com

Printed in U.S.A.
 ©2022 by Eagle Group
 Rev. 12/22

Spec sheets available for viewing, printing or downloading from our online literature library at our websites

Although every attempt has been made to ensure the accuracy of the information provided, we cannot be held responsible for typographical or printing errors. Information and specifications are subject to change without notice. Please confirm at time of order.