



**REMOTE NARROW DOOR BACK BAR REFRIGERATOR**  
2-, 3- and 4-Door



BBRN40 shown

JOB	
AREA	
ITEM NO.	
MODEL NO.	

MODELS	
BBRN40	2-Door Model
BBRN60	3-Door Model
BBRN80	4-Door Model

NSF/ANSI Standard 7 Listed for open food storage.  
*Note: All remote back bars are made to order and non-returnable.*

**KEY PRODUCT FEATURES AND BENEFITS**

- Remote back bar refrigerators allow customers to mount the compressor in an alternate location, ideal for remote servicing and noise isolation
- 16" Doors, 20% smaller than standard, to accommodate tight working spaces behind the bar
- Stainless steel interior and top standard on all Perlick Back Bar refrigeration for long life durability and easy to clean hygienic storage
- 2" foamed-in-place eco-friendly insulation provides energy savings with zero ozone depletion
- NSF/ANSI Standard 7 Listed for open food, beverage, and garnish storage
- Anti-Sweat heaters in cabinet face prevents condensation from forming on door, extending door gasket life and protecting flooring below from damage or slip hazards
- Multiple door styles available in any compartment
  - Choose between Glass, Stainless Steel, Black Vinyl, or Customer Provided Overlay
  - Drawers not available on remote models

**Quick Features:**

- Configurable to accommodate tapping from any compartment
- Integrated door locks standard on all units
- Optional condensing units available
- Choose between three temperature ranges
  - Refrigerator (34°F-42°F) Factory set to 38°F
  - White Wine (40°F-65°F) Factory set to 45°F
  - Red Wine (40°F-65°F) Factory set to 60°F
- Choose between 6000K white LED lighting or cool blue display lighting
- Choose between flat shelving and wine racks for each compartment
- Choose between Full Length, 6" Chrome, or pull tab style handles
- 1 Year Parts and Labor Warranty



**REMOTE NARROW DOOR BACK BAR REFRIGERATOR**  
2-, 3- and 4-Door

MODEL NUMBERS		BBRN40	BBRN60	BBRN80
NUMBER OF DOORS		2	3	4
EXTERIOR CABINET DIMENSIONS	Length - in. (mm)	40 (1016)	60 (1524)	80 (2032)
	Depth - in. (mm)	24¾ (629)	24¾ (629)	24¾ (629)
	Height - in. (mm)	34⅞ (878)	34⅞ (878)	34⅞ (878)
INTERIOR CABINET DIMENSIONS	Length - in. (mm)	36⅞ (926)	56⅞ (1434)	76⅞ (1942)
	Depth - in. (mm)	18¾ (476)	18¾ (476)	18¾ (476)
	Height - in. (mm)	31 (787)	31 (787)	31 (787)
INTERNAL VOLUME Net. Cu. Ft. (Litres)		12.0 (340)	19.0 (538)	26.8 (759)
PRODUCT CAPACITY	Case Packed - 12 Oz. Bottle/Can	269/441	458/705	617/955
	Staggered - 12 Oz. Bottle/Can	289/472	495/757	668/1026
SHIPPING WEIGHT Lbs. (kg.)		261 (118)	342 (155)	444 (201)
ELECTRICAL SPECIFICATIONS	Electrical Supply	120 VAC/60 Hz/1 Ph	120 VAC/60 Hz/1 Ph	120 VAC/60 Hz/1 Ph
	Running Load Amps	1.6	2	2.5
	Electrical Connection	Hard wired	Hard wired	Hard wired
	Defrost Initiation	Automatic	Automatic	Automatic
	Defrost Type	Off cycle	Off cycle	Off cycle
	Lighting Type	LED	LED	LED
REFRIGERATION SPECIFICATIONS	Horsepower	1/4	1/3	1/3
	Expansion Device	TXV	TXV	TXV
	Evaporator Capacity - Remotes	1900 Btu/Hr @ 20° F Evaporator	2300 Btu/Hr @ 20° F Evaporator	2300 Btu/Hr @ 20° F Evaporator
	Remote Refrigerant Options	R134a & R404a	R134a & R404a	R134a & R404a
PLUMBING	Evaporator Condensate	Field plumbed	Field plumbed	Field plumbed

Wine Temperature refrigerators do not carry NSF Rating for open food storage.  
Wine Temperature units are NSF certified for non-potentially hazardous bottled and canned beverage storage.

**! WARNING: California Prop 65 Notice**  
These products may expose you to chemicals including Chromium, which are known to the state of California to cause cancer and birth defects or other reproductive harm. For more information on whether a product in this list contains these chemicals, please refer to the specific product page at [perlick.com](http://perlick.com). Or to find out more about Prop 65, go to [P65Warnings.ca.gov](http://P65Warnings.ca.gov).

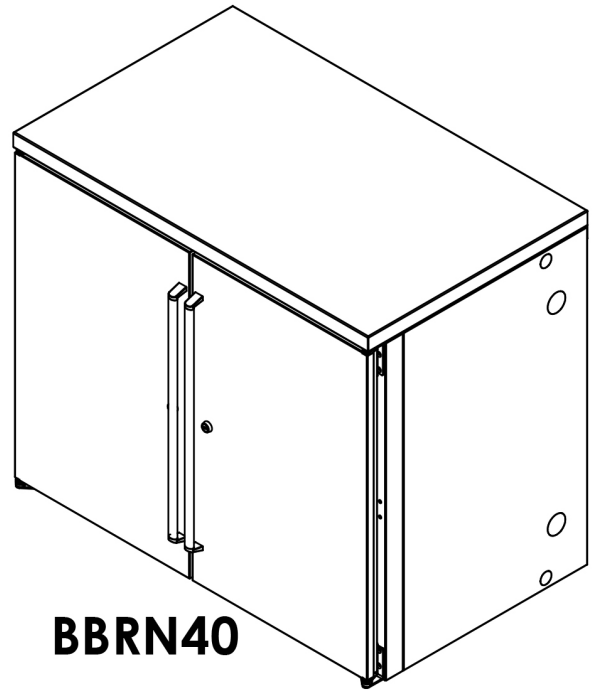
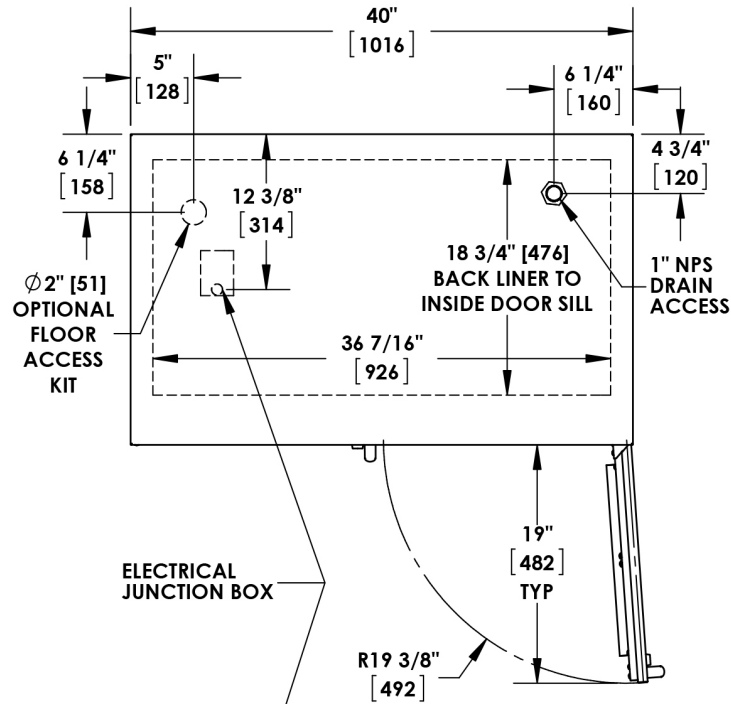
Form No. 95175  
Rev. 09.08.23



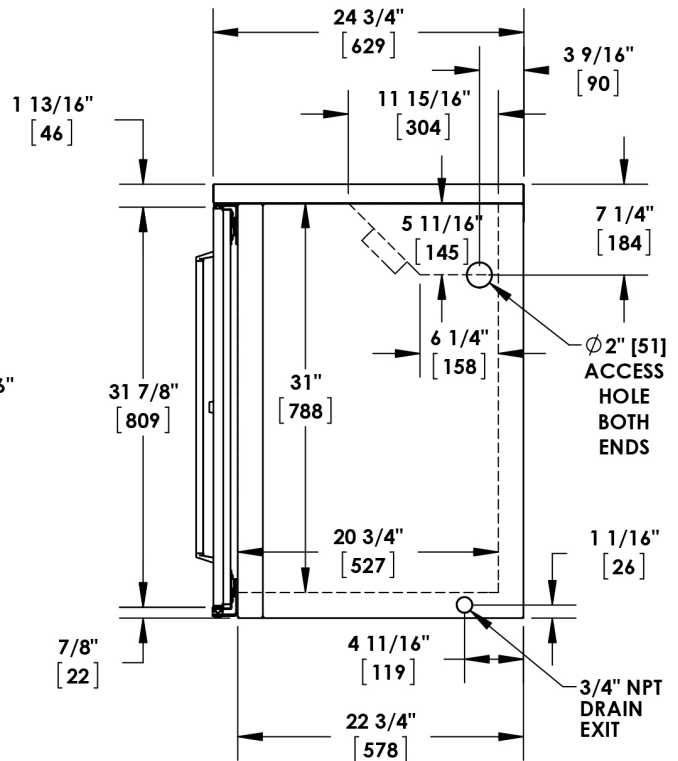
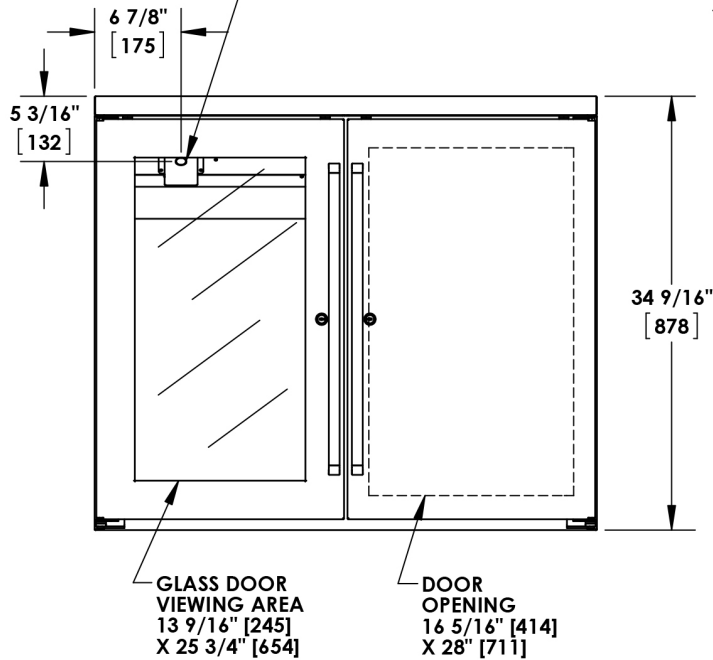
**REMOTE NARROW DOOR BACK BAR REFRIGERATOR**  
2-, 3- and 4-Door

Note: Open floor drain not provided on models intended for non-packaged food.

MODEL NUMBERS - BBRN40, BBRN60, BBRN80



**BBRN40**





**REFRIGERATED CABINETS**  
*Self-Contained Dual-Zone Back Bar Refrigerators*

Note: Open floor drain not provided on models intended for non-packaged food.

