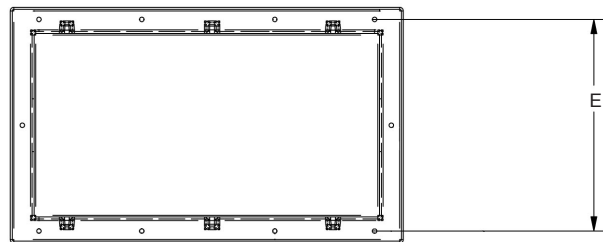
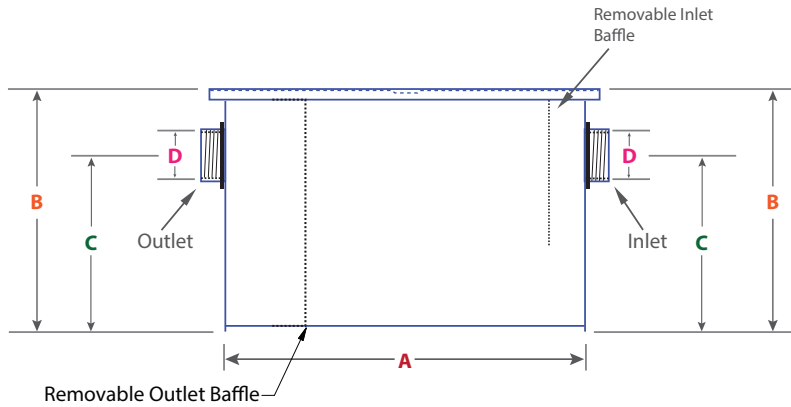
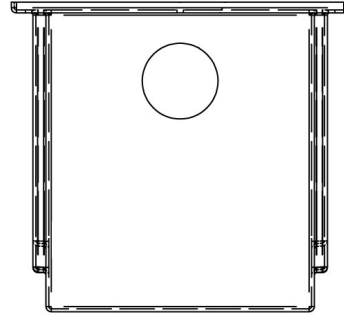




# Plastic Grease Traps

Model: PGT



### Product Specifications:

- Constructed of strong plastics which are known for superior resistance
- Removable Baffles for Ease of Maintenance
- Main Body of Grease Trap Suspended Above Floor to Avoid Corrosive Environment and Extend Life
- T-Vent Provided
- Includes threaded no hub connectors
- Designed for removing and isolating F.O.G. (Fat, Oil, Grease) from wastewater wherever food is prepared

### Certifications:



### Product Detail:

Model #	DIM. A	DIM. B	DIM. C	DIM. D	DIM. E	Product Weight (lbs)
PGT-8	11.5"	10.375"	7"	2"	8"	
PGT-14	15.125"	11.625"	7.6875"	2"	12.5"	14.00
PGT-20	17.5"	13.0625"	8.75"	2"	12.5"	16.00
PGT-30	18.125"	13.5"	10.375"	2"	17.375"	19.00
PGT-40	24.25"	14.5"	10.375"	3"	17.5"	
PGT-50	28.5"	17.875"	13.3125"	3"	17.5"	
PGT-70	32.625"	19"	13.5625"	3"	20"	
PGT-100	37"	19"	13.75"	3"	23"	

Due to our commitment to improving our products, specifications are subject to change without notice.





RESOURCES

888-310-4393 • 120 Frontage Road, Altamont, IL 62411 • [www.bk-resources.com](http://www.bk-resources.com)

---

**\*Lifetime Limited Warranty:**

Guaranteed to be free of manufacture defects during normal usage from date of purchase by the original end user. This limited warranty does not extend to any labor costs for unit removal or reinstallation. This limited warranty does not apply to losses resulting from flooding or any incidental or consequential damages, whether it is stated in a contract, tort, or otherwise. There are no other warranties or benefits other than those expressly stated herein. Any and all other warranties, expressed or implied are hereby disclaimed and excluded.

BK Resources accepts no responsibility for defects resulting from or connected with misuse, abuse improper installation or other causes beyond our control.

There can be no verbal modification or extension of this limited warranty under any circumstances. Any written modification or extension must be made by BK Resources and must expressly state in clear terms that it is a modification or extension of this limited warranty.

Any claims must be able to prove the date of purchase and installers contact information.

This limited warranty is non-transferable except with written consent and approval from BK Resources.

**PRODUCT SPECIFICATION SHEET**

**RESOURCES**

