



SPEC SHEET

KoolMore 48 in. Stainless Steel Two-Door Worktop Commercial Freezer with 3.5 in. Backsplash, 12 cu. ft.

SKU: FWT-2D-12C

FEATURES

- Auto Defrost
- Fully insulated polyurethane insulation
- 4 Casters - 2 locking
- Two adjustable shelves
- Self-closing door with stay open feature
- Internal lighting



CLOSE UP IMAGES



TECHNICAL SPECS

Dimensions

Depth	47.5
Width	29.5
Height	38.8
Interior Depth	19.8
Interior Width	42.6
Interior Height	23.5
Shelf Width	20.8
Shelf Depth	17.1
Depth Including Handles	29.5
Depth Excluding Handles	29.5
Depth Less Door	29.5
Depth With Door Open 90 Degrees	50.9
Power Cord Length	98.5

Capacity

Weight	213.4 lbs.
Gross Cubic Feet	11.9
Net Capacity Cu. Ft.	10.2
Individual Shelf Capacity	88 lbs.
Top Capacity	550

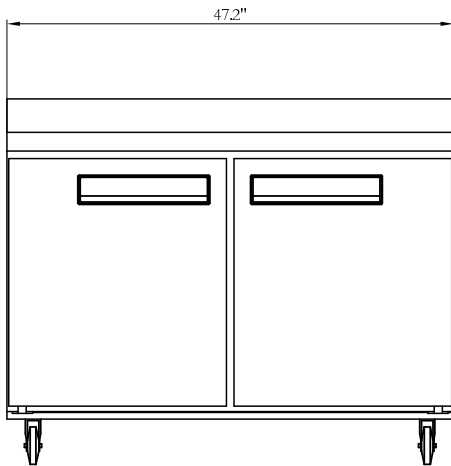
Features & Material

Door Style	Swing
Number Of Doors	2
Number Of Shelves	2
Defrost Type	Automatic
Refrigerant Type	R290
Temperature Control Type	Digital
Ambient Temperature Range	100 F
Temperature Range	-8-0F
Casters	4
Light Type	No Light
Shelf Material Type	Plastic Coated
Interior Material	SS 201
Exterior Material	SS 430

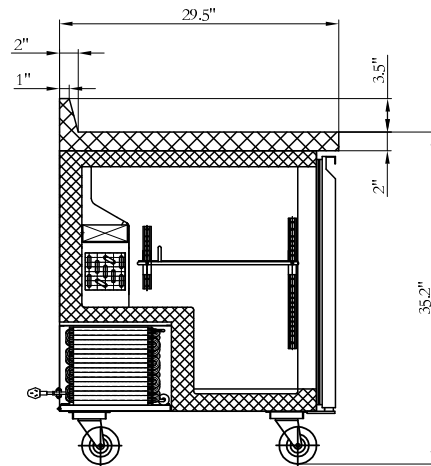
Electric Data & Certifications

Amps	4.5
Phase	1
Plug Type	NEMA 5-15P
Voltage	115
Hertz	60
Wattage	300
Horsepower	0.544
Certifications	ETL Listed for Safety and Sanitation

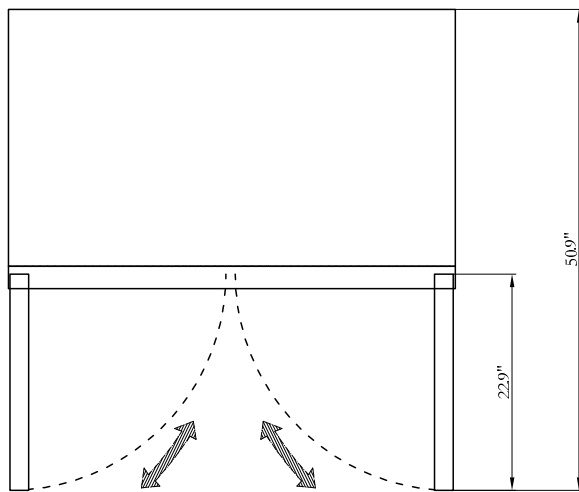
Plan View



ELEVATION



SECTION VIEW



PLAN

CERTIFICATIONS



706 Eastern Parkway STE 1G, Brooklyn NY 11213
718-576-6342
info@koolmore.com