



# K-63 2" REPLACEMENT DRAIN



Item #: \_\_\_\_\_ Qty #: \_\_\_\_\_  
 Model #: \_\_\_\_\_  
 Project #: \_\_\_\_\_

**FEATURES:**

- 2" drain opening.
- 1 1/2" N.P.S.
- Removable Crumb Basket.

**MATERIAL:**

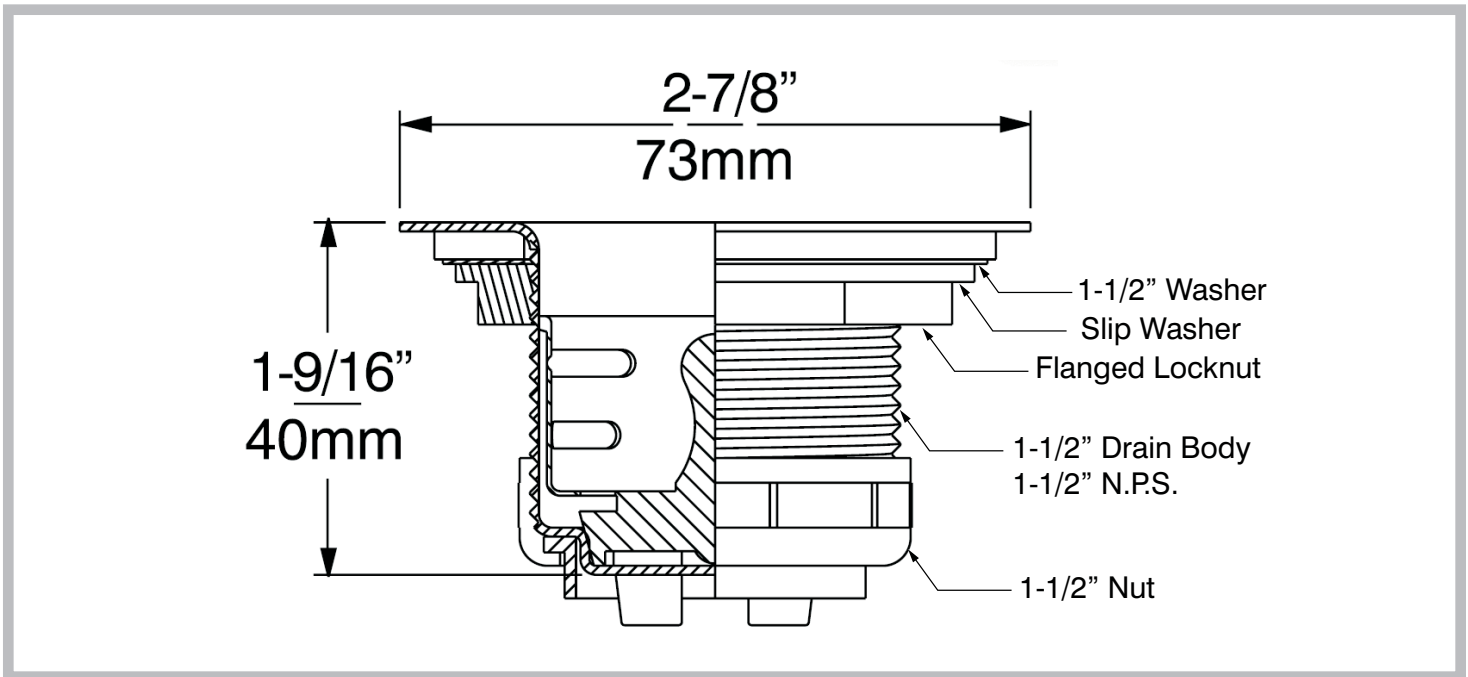
- Brass body.
- Stainless Steel Crumb Basket.

**Accessories**

**2" Strainer Plate**  
 Fits K-63 drain only.  
**K-411**



## DIMENSIONS and SPECIFICATIONS



Customer Service Available To Assist You **1-800-645-3166** 8:30 am - 7:00 pm E.S.T.

For Orders & Customer Service:  
 Email: [customer@advancetabco.com](mailto:customer@advancetabco.com) or Fax: 631-242-6900

For Smart Fabrication™ Quotes:  
 Email: [smartfab@advancetabco.com](mailto:smartfab@advancetabco.com) or Fax: 631-586-2933