



T&S BRASS AND BRONZE WORKS, INC.

2 Saddleback Cove / P.O. Box 1088
Travelers Rest, SC 29690

Model No.

B-7132-U03XS5

Item No.

Travelers Rest, SC: 800-476-4103 • Simi Valley, CA: 800-423-0150 • Fax: 864-834-3518 • www.tsbrass.com

This Space for Architect/Engineer Approval

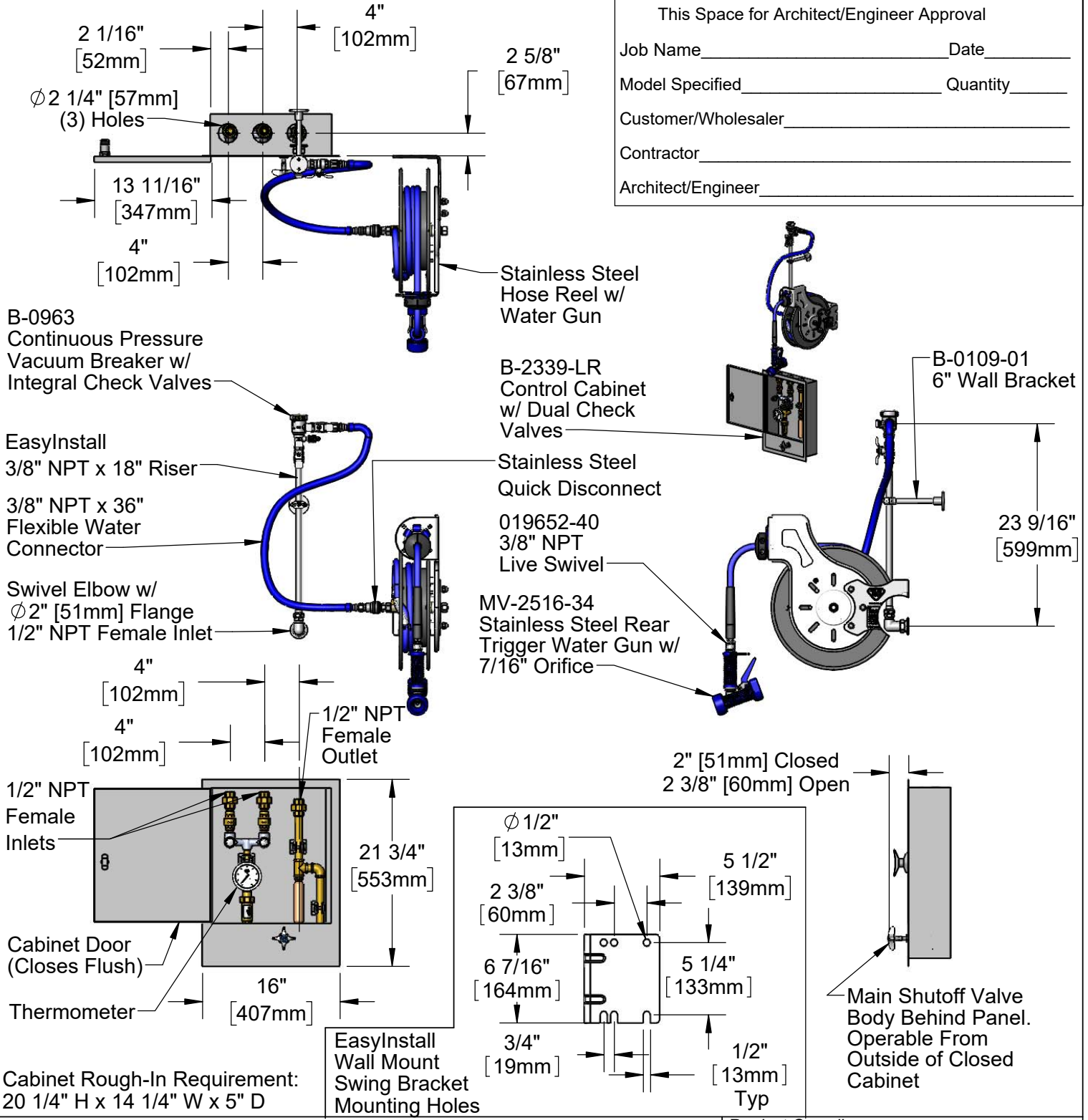
Job Name _____ Date _____

Model Specified _____ Quantity _____

Customer/Wholesaler _____

Contractor _____

Architect/Engineer _____



Product Specifications:
 Open Stainless Steel Hose Reel w/ 35' Hose, High Flow Water Gun w/ Swivel, Rinse Control Cabinet w/ Control Valve, Dual Check Valves, Thermometer, Water Hammer Arrestor & Hose Reel Connector Kit

Product Compliance:
 ASSE 1010 (Arrestor)
 ASSE 1024 (VB)
 NSF 61 Exempt (Non-Potable)
 2019 DOE PRSV Non-Compliant
 ASSE 1056 (VB)

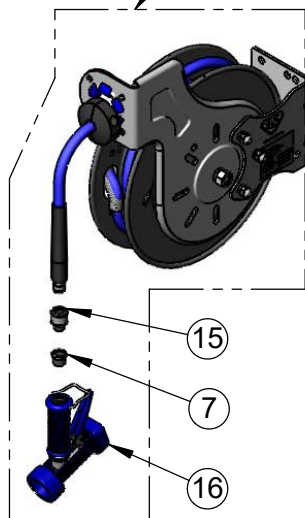
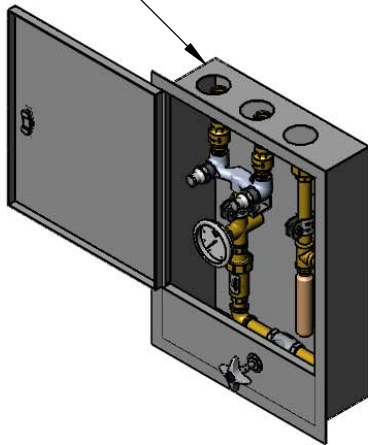
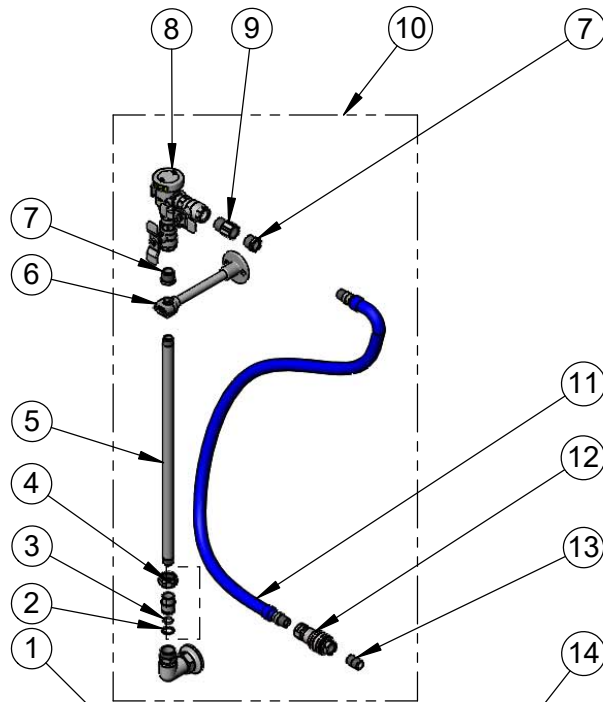


T&S BRASS AND BRONZE WORKS, INC.
 2 Saddleback Cove / P.O. Box 1088
 Travelers Rest, SC 29690

Model No.
B-7132-U03XS5

Item No.

Travelers Rest, SC: 800-476-4103 • Simi Valley, CA: 800-423-0150 • Fax: 864-834-3518 • www.tsbrass.com



ITEM NO.	SALES NO.	DESCRIPTION
1	B-2339-LR	Reel Control Cabinet w/ Control Valve, Dual Check Valves & Thermometer
2	014200-45	Star Washer, Anti-Rotation
3	001065-45	O-Ring
4	EZ-K	EasyInstall Kit: Nut, Bushing, O-Ring & Lock Washer
5	000369-40	3/8" NPT x 18" Riser
6	B-0109-01	6" Wall Bracket
7	001359-40	Hex Bushing, 1/2" NPT Male x 3/8" NPT Female
8	B-0963	Vacuum Breaker 1/2" NPT Female
9	015073-40	Check Valve w/ 1/2" NPT Adapter
10	0RK-SK	Hose Reel Connector Kit
11	HW-2B-36	3/8" NPT x 36" Flexible Water Hose
12	AW-5B	3/8" NPT Quick Disconnect
13	002535-25	3/8" Close Nipple
14	B-7132-03	Open SS Reel w/ 35' of 3/8" Hose & 7/16" Rear Trigger Water Gun
15	019652-40	3/8" NPT Live Swivel
16	MV-2516-34	7/16" Rear Trigger Spray Gun

Product Specifications:

Open Stainless Steel Hose Reel w/ 35' Hose, High Flow Water Gun w/ Swivel, Rinse Control Cabinet w/ Control Valve, Dual Check Valves, Thermometer, Water Hammer Arrestor & Hose Reel Connector Kit

Product Compliance:

ASSE 1010 (Arrestor)
 ASSE 1024 (VB)
 NSF 61 Exempt (Non-Potable)
 2019 DOE PRSV Non-Compliant
 ASSE 1056 (VB)