



ITEM #: _____ QTY: _____
 MODEL #: _____
 PROJECT NAME: _____

112117

3601 S. Banker St. Effingham, IL 62401 • P.O. BOX 609 • Ph: (888) 431-2667 • Fax: (800) 433-2667

"EBOP3R5" ENCLOSED BASE TABLES



POLY TOP - OPEN - 3/4" THICK - 5" RISER

FEATURES:

- 3/4" THICK HIGH DENSITY POLYETHYLENE TOP WITH 5" REAR RISER
- OPEN BASE STYLE
- TOP IS SOUND DEADENED
- REINFORCED WITH 1"X2" CHANNEL RUNNING ENTIRE LENGTH OF TABLE
- 1-1/2" STALLION EDGE ON FRONT AND 5" RISER ON REAR WITH SIDE EDGES 90 DEGREE BEND DOWN FOR TABLE LINE-UP
- STAINLESS STEEL CABINET AND UNDERSHELF
- UNDERSHELF IS SECURED IN A FIXED POSITION, 10" ABOVE FLOOR
- ADJUSTABLE BULLET FEET
- SHIPPED STANDARD WELDED SET-UP
- NSF CERTIFIED



*SHOWN W/ OPTIONAL MID-SHELF

CONSTRUCTION:

- TOP: STAINLESS STEEL TOPS ARE TIG WELDED, EXPOSED WELDS ARE POLISHED TO MATCH ADJACENT SURFACE

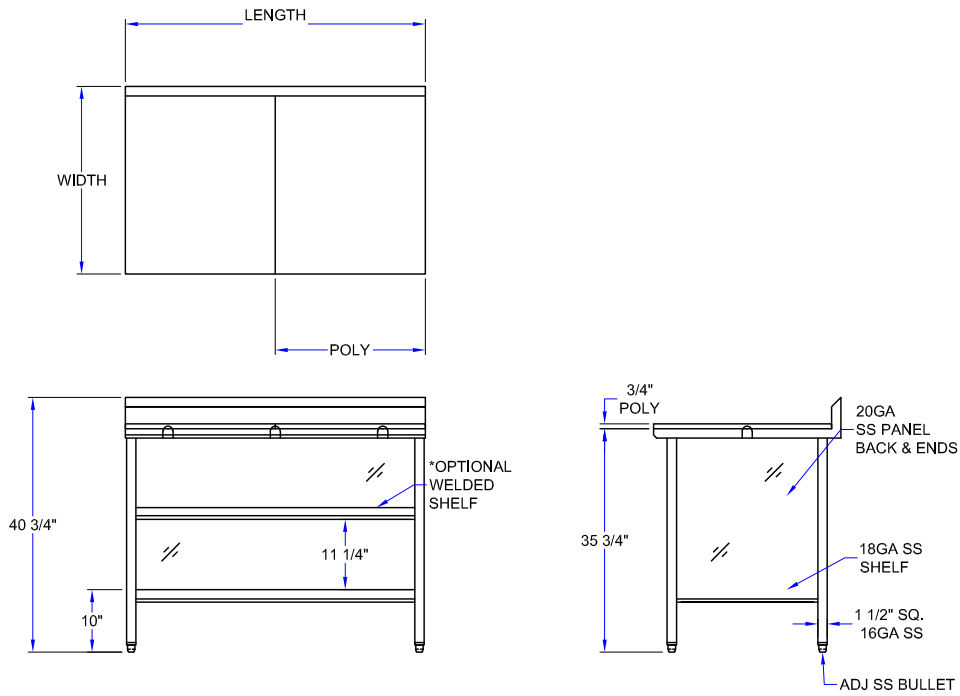
MATERIAL:

- POLY: 3/4" HIGH DENSITY POLYETHYLENE
- TOP: 16 GAUGE STAINLESS STEEL TYPE 300 STAINLESS STEEL WITH #4 POLISH, SATIN FINISH
- SHELF: 18 GAUGE TYPE 300 STAINLESS STEEL, #4 POLISH WITH SATIN FINISH
- LEGS: 1-1/2" SQUARE O.D., 16 GAUGE TUBULAR STAINLESS STEEL
- PANELS: 20 GAUGE TYPE 300 STAINLESS STEEL, #4 POLISH WITH SATIN FINISH
- FEET: 1" ADJUSTABLE STAINLESS STEEL BULLET FEET

ENCLOSED BASE TABLES

30" WIDTH	QTY
EBOP3R5-3036	
EBOP3R5-3048	
EBOP3R5-3060	
EBOP3R5-3072	
EBOP3R5-3084	
EBOP3R5-3096	
EBOP3R5-30108	
EBOP3R5-30120	
EBOP3R5-30132	
EBOP3R5-30144	

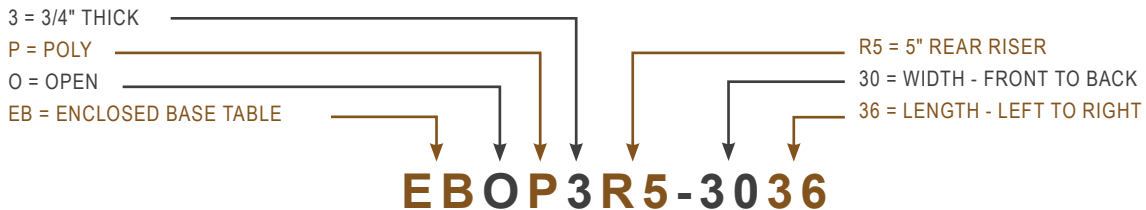
DETAILED SPECIFICATIONS



ENCLOSED BASE TABLES

LENGTH	LEGS	30" WIDTH	WEIGHT (LBS)
36"	4	EBOP3R5-3036	182
48"	4	EBOP3R5-3048	220
60"	4	EBOP3R5-3060	258
72"	4	EBOP3R5-3072	284
84"	6	EBOP3R5-3084	331
96"	6	EBOP3R5-3096	378
108"	6	EBOP3R5-30108	416
120"	6	EBOP3R5-30120	454
132"	6	EBOP3R5-30132	492
144"	6	EBOP3R5-30144	530

MODEL # STRUCTURE



SOME UNITS SHIP UNASSEMBLED FOR REDUCED SHIPPING COST. ALL DIMENSIONS ARE TYPICAL. TOLERANCE +/- .500"

John Boos & Co. is constantly engaged in a program of improving products and therefore reserves the right to change specifications without prior notice.



3601 S. Banker St. • Effingham, IL 62401 • PO BOX 609 • quotes@johnboos.com

112117



www.johnboos.com

783