

"TC-1" STAINLESS STEEL WORK TABLES

3/4" Thick High Density Polyethylene Top & 6" Rear Riser

FEATURES:

- 3/4" Thick High Density Polyethylene Top Sectioned Per NSF Regulations. (Also Available w/1/2" Or 1" Thick High Density Polyethylene & 1-1/2" Thick Hard Rock Maple Top, Style "SCT" Flat Top)
- 1 Piece High Density Polyethylene Top Available At No Extra Charge, (Must Specify)
- Top Is Held In Place By Welded Clips, Removable For Ease In Cleaning
- Stainless Steel Base & Bracing w/6" Removable Backsplash, Type 300 Stainless Steel, w/#4 Polish, Satin Finish
- Adjustable Stainless Steel Bullet Feet
- Shipped Standard Welded Set-Up, Available Knockdown, (Must Specify)

SPECIFICATIONS:

- Top: High Density Polyethylene
- Frame: 1-1/2" Square Tube 18GA Type 300 Stainless Steel w/#4 Polish, Satin Finish
- Bracing: 1-1/4" Round O.D. 18GA Type 300 Tubular Stainless Steel w/#4 Polish, Satin Finish
- Legs: 1-5/8" Round O.D. 16GA Type 300 Tubular Stainless Steel w/#4 Polish, Satin Finish
- Backsplash: 16GA Type 300 Stainless Steel, w/#4 Polish Satin Finish
- Feet: 1" Adjustable Stainless Steel Bullet Feet
- Stainless Steel Bases Are TIG Welded. Exposed Welds Are Polished To Match Adjacent Surface



TC003

CERTIFICATIONS:



ACCESSORIES

DESCRIPTION

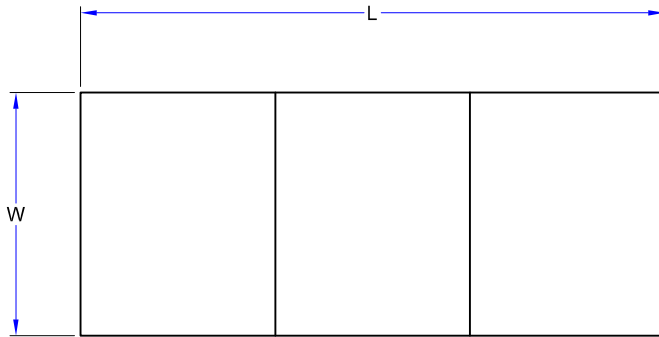
- Drawer
- Drawer Lock
- Casters
- Lower Shelves
- Meat Boat Racks
- Paper Holder
- Pot Rack
- Knocked Down Assembly

"TC-1" POLY TOP WORK TABLES

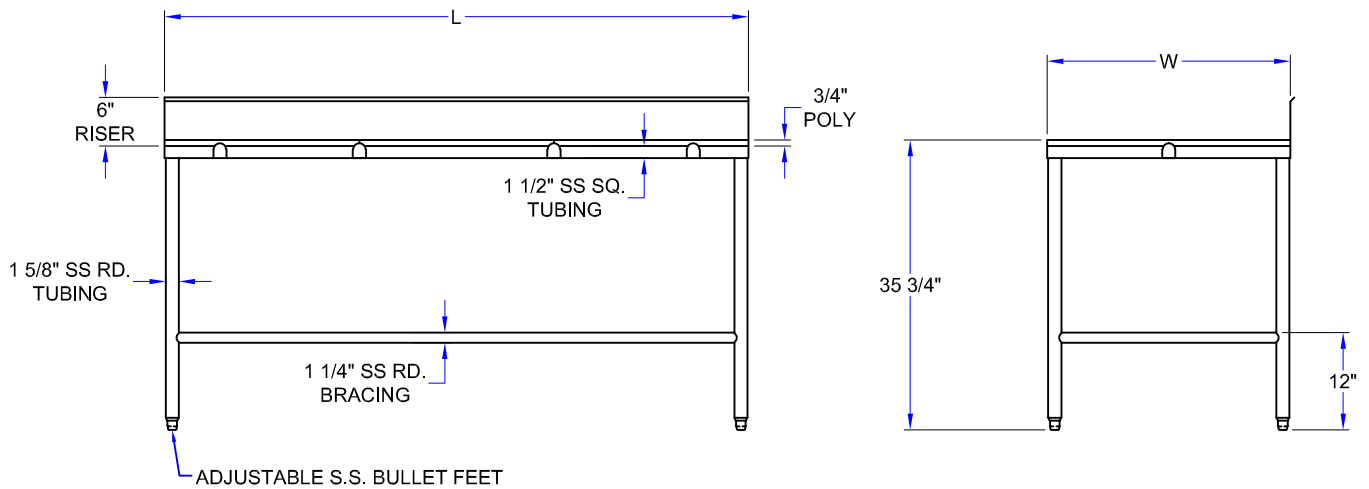
LENGTH	24" WIDE	WT (LBS)	30" WIDE	WT (LBS)	36" WIDE	WT (LBS)
36"	TC001	54	TC008	61	TC015	68
48"	TC002	66	TC009	77	TC016	86
60"	TC003	77	TC010	94	TC017	101
72"	TC004	92	TC011	109	TC018	122
84"	TC005	107	TC012	132	TC019	149
96"	TC006	119	TC013	141	TC020	164
108"	TC006A	134	TC013A	155	TC020A	177
120"	TC007	148	TC014	168	TC021	189

ALL DIMENSIONS ARE TYPICAL. TOLERANCE +/- .500". JOHN BOOS & CO. RESERVES THE RIGHT TO CHANGE SPECIFICATIONS WITHOUT NOTICE.

DETAILED SPECIFICATIONS



Units 7 Ft. & Larger Are
Furnished With Six Legs



"TC-1" POLY TOP WORK TABLES

LENGTH	24" WIDE	WT (LBS)	30" WIDE	WT (LBS)	36" WIDE	WT (LBS)
36"	TC001	54	TC008	61	TC015	68
48"	TC002	66	TC009	77	TC016	86
60"	TC003	77	TC010	94	TC017	101
72"	TC004	92	TC011	109	TC018	122
84"	TC005	107	TC012	132	TC019	149
96"	TC006	119	TC013	141	TC020	164
108"	TC006A	134	TC013A	155	TC020A	177
120"	TC007	148	TC014	168	TC021	189

ALL DIMENSIONS ARE TYPICAL. TOLERANCE +/- .500". JOHN BOOS & CO. RESERVES THE RIGHT TO CHANGE SPECIFICATIONS WITHOUT NOTICE.