

3M™ Water Filtration Products

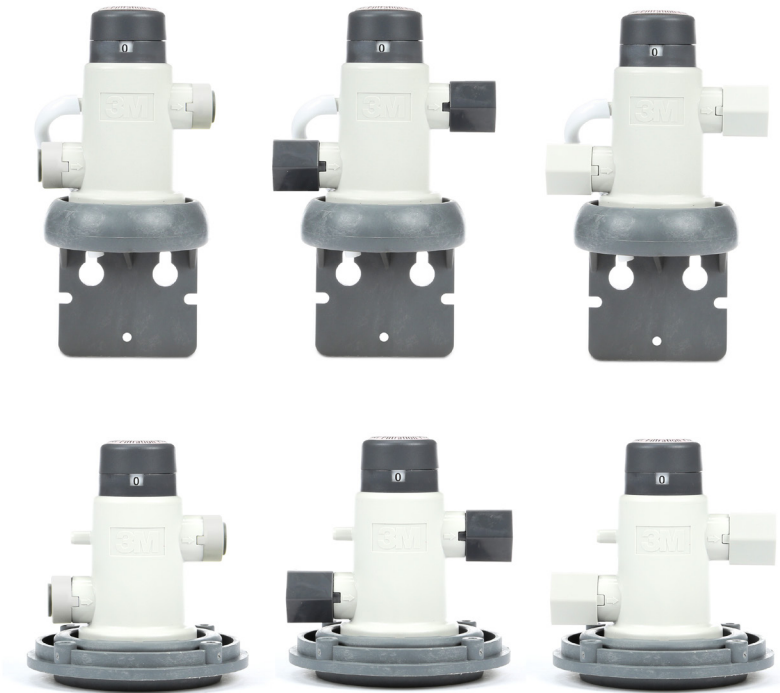
3M™ ScaleGard™ Blend Series of Heads

Application: Coffee, espresso, vending & steamers

3M™ ScaleGard™ Blend Series of Heads allow end-users to adjust the blend setting to customize water quality. Notably, the head even remembers previous blend settings when replacing cartridges, helping to save you time.

Product Benefits:

- Head remembers previous blend settings when replacing cartridges, helping to save you time
- Easy-to-operate adjustable dial for precision blending
- Use with 3M™ ScaleGard™ Blend Series of cartridges



Product Specifications:

Model #	Description	Part #	3M ID
BH3	Valve-in-head assembly w/blend adjustment & JG fittings	6240801	70020333418
BH3-NPT	Valve-in-head assembly w/blend adjustment & NPT fittings	6240807	70020333350
BH3-BSP	Valve-in-head assembly w/blend adjustment & BSP fittings	6240813	70020333293
BH3-NB	Valve-in-head assembly w/blend adjustment, without bracket, & JG fittings	6240802	70020333400
BH3-NB-NPT	Valve-in-head assembly w/blend adjustment, without bracket, & NPT fittings	6240808	70020333343
BH3-NB-BSP	Valve-in-head assembly w/blend adjustment, without bracket, & BSP fittings	6240814	70020333285

3M™ Water Filtration Products

Specifications

- 3/8" inlet and outlet plumbing connections available with NPT, BSP and Push-in connections
- Operating pressure of 25-125 psi (172-862 kPa)
- Operating temperature of 40-100°F (4.4 – 37.8°C)

Important: Installation Tips

⚠ WARNING:

Read entire manual. Failure to follow all guides and rules could cause personal injury or property damage.

- Check with your local public works department for plumbing codes. You must follow their guidelines as you install the Water Filtration system.
- Your Water Filtration system will withstand up to 125 pounds per square inch (psi) water pressure. If your water supply pressure is higher than 80 psi, install a pressure reducing valve before installing the Water Filtration system.

To reduce the risk associated with the ingestion of contaminants:

- DO NOT use with water that is microbiologically unsafe or of unknown quality without adequate disinfection before or after the system.

NOTICE:

To reduce the risk associated with water leakage or flooding:

- Read and follow Use Instructions before installation and use of this system.

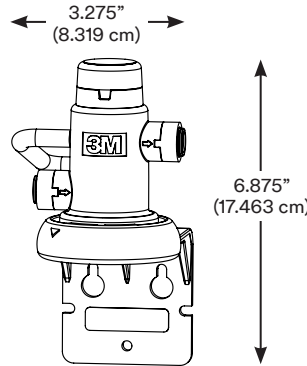
3M™ ScaleGard™ Blend Series of Heads

Spec # _____

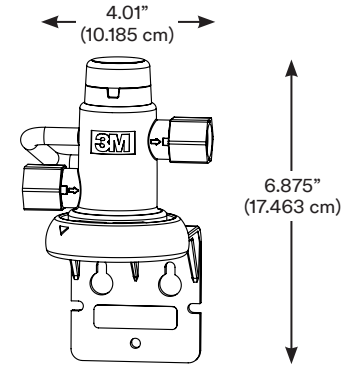
Quantity _____

Model # _____

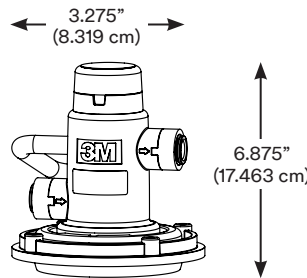
Part # _____



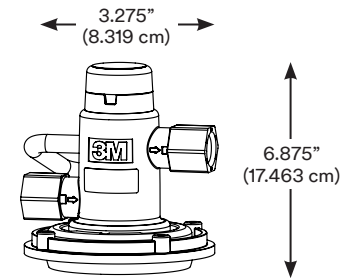
Model(s): BH3



Model(s): BH3-NPT
BH3-BSP



Model(s): BH3-NB



Model(s): BH3-NB-NPT
BH3-NB-BSP

Limited Warranty

Warranty, Limited Remedy, and Disclaimer: Many factors beyond 3M's control and uniquely within user's knowledge and control can affect the use and performance of a 3M product in a particular application. User is solely responsible for evaluating the 3M product and determining whether it is fit for a particular purpose and suitable for user's method of application. Unless an additional warranty is specifically stated on the applicable 3M product packaging or product literature, 3M warrants that each 3M product meets the applicable 3M product specification at the time 3M ships the product. 3M MAKES NO OTHER WARRANTIES OR CONDITIONS, EXPRESS OR IMPLIED, INCLUDING, BUT NOT LIMITED TO, ANY IMPLIED WARRANTY OR CONDITION OF MERCHANTABILITY OR FITNESS FOR A PARTICULAR PURPOSE OR ANY IMPLIED WARRANTY OR CONDITION ARISING OUT OF A COURSE OF DEALING, CUSTOM OR USAGE OF TRADE. If the 3M product does not conform to this warranty, then the sole and exclusive remedy is, at 3M's option, replacement of the 3M product or refund of the purchase price.

Limitation of Liability: Except where prohibited by law, 3M will not be liable for any loss or damage arising from the 3M product, whether direct, indirect, special, incidental or consequential, regardless of the legal theory asserted, including warranty, contract, negligence or strict liability.



3M Purification Inc.
400 Research Parkway
Meriden, CT 06450 U.S.A.

Toll Free 1-866-990-9785
Worldwide 1-203-237-5541
Fax 1-203-238-8701
Web www.3Mpurification.com
www.3Mfoodservice.com

3M and ScaleGard are trademarks of 3M Company.
© 2016 3M Company. All rights reserved.
70020340488 REV 0916
Please recycle. Printed in U.S.A.