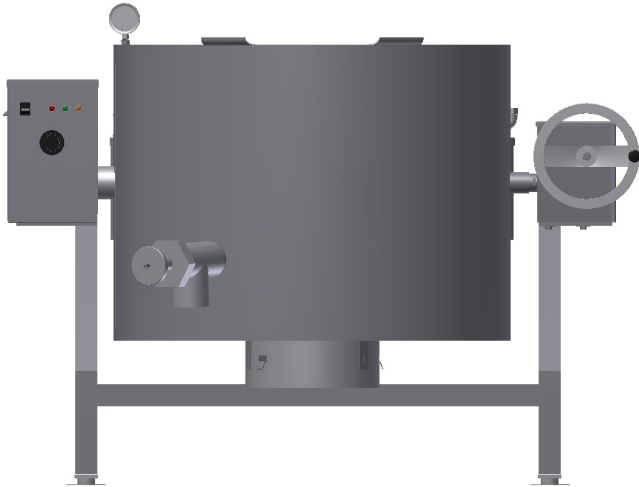


Insulated Self-Contained Kettle

**Gas-Fired, Full Jacketed
Insulated for Safety™
Deep Drawn Construction
Tilting, Floor Mounted
Made in USA**

LOW-RIM™ Model TLGB-F

STANDARD FEATURES



Model TLGB-40F

Shown with optional 3" draw-off valve

- 304 stainless kettle liner
- 304L stainless kettle jacket
- Kettle Protection System
- Thermostat temperature control, 150°F-260°
 - Pressure relief valve
 - Air eliminator valve
 - Pressure gauge
 - Jacket-water fill and sight glass
 - Automatic low water cutoff and indicator light
 - Safety pilot control
- Full body insulation (3" - 14") between kettle jacket and outer casing
- Electronic ignition, 120V standard
- 304 stainless outer casing seam welded to the 3" reinforced radius lip
- 304 stainless, seam welded control console
- 304 stainless, reinforced gear box
- 304 stainless, seam welded tubular frame construction
- Self-locking, permanently lubricated, single reduction worm gear case
- Adjustable flanged feet

Legion equipment is built to comply with applicable standards for manufacturers. Approval agencies may include ASME, NSF, UL, ETL, AGA, CSA, CGA, and others. Legion reserves the right of design improvement or modification as warranted.

Models and Capacities

TLGB-20F	20 gal.	76 l.
TLGB-30F	30 gal.	114 l.
TLGB-40F	40 gal.	151 l.
TLGB-60F	60 gal.	227 l.

Select draw-off valve: 2" 3"*

With: compression ball type fitting

See price list for other draw-off options.

*If a 3" diameter draw-off valve is required, contact Legion for applicable dimensions.

Select voltage: 120V 208V 240V

Select gas: Natural Propane (LP) Other

Revision 113

Optional Features and Accessories

See price list for supplemental information regarding options

Faucet Options:

Single or double fill faucet with bracket & 12" or 18" swing nozzle

48" flexible spray hose assembly (vinyl or stainless) for use with dual or single fill faucet

Faucet bracket

Automatic water filling meter

(Call for information regarding additional faucet options)

Prison/Security Options:

Fastener (screws & nuts)

Nut driver tool

Draw-off nut driver tool

Screw driver tool

Lockable control cover

Lockable lid

Draw-off protection

Other Options:

Lift-off cover

1 piece actuator-assisted cover, 20 - 80 gallon

Pressure switch

Electric indicating timer with buzzer

1/2" gas quick disconnect

Flexible gas hose, 1/2" x 60"

Higher voltage electronic ignition

Mixer/Agitator, 2 speed

Accessories:

Single basket insert, 20 - 40 gallon

Tri-basket insert

Nylon bag insert with spreader ring

Draw-off drain hose

Measuring strip

Perforated disk strainer 1/8" or 1/4" holes

Kettle care kit

Kettle tools (see specification sheet)



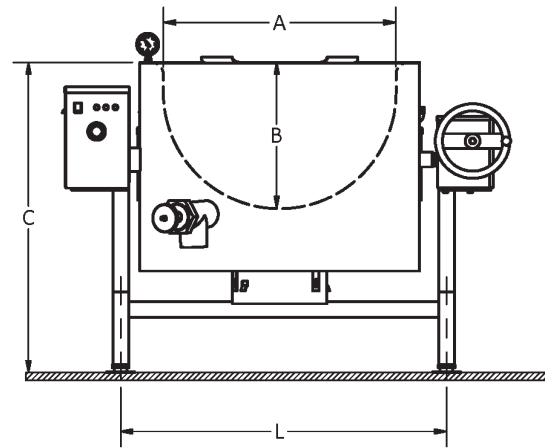
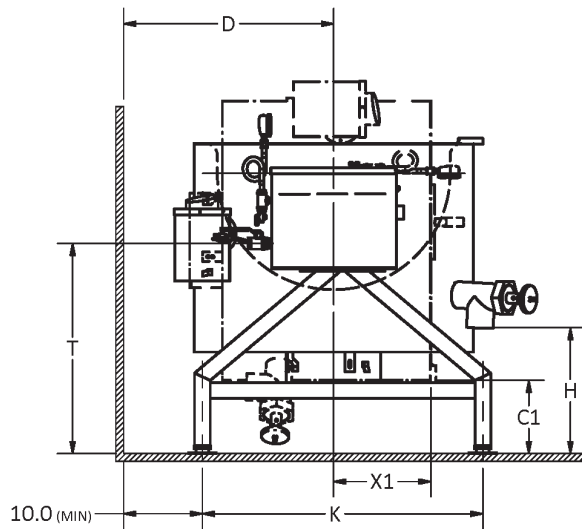
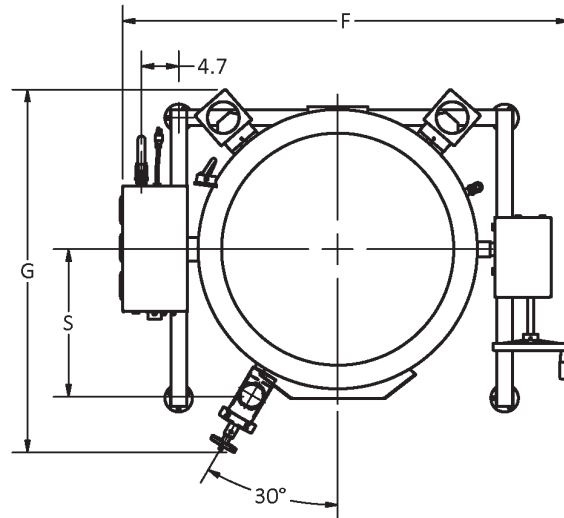
LEGION Legion Industries, Inc. P.O. Office Box 728 Waynesboro, GA 30830 (800) 887-1988
(706) 554-4411 Fax: (706) 554-2035 www.legionindustries.com sales@legionindustries.com

LOW-RIM™ Model TLGB-F

Gas-Fired, Full Jacketed
Insulated for Safety™
Deep Drawn Construction
Tilting, Floor Mounted
Made in USA

Insulated Self-Contained Kettle

DRAWING REPRESENTS MODEL TLGB-40F WITH
OPTIONAL 3" DRAW-OFF VALVE.
DIMENSIONS ON THESE DRAWINGS ARE APPLICABLE
WHEN USING AN OPTIONAL 3" DRAW-OFF VALVE.
UNIT IS SUPPLIED WITH 6' CORD WITH PLUG.



MODEL TLGB-F DIMENSIONS*													
Gal.	A	B	C	C1	D	F	G	H (3")	K	L	S	T	XI
20	22.0	15.0	35.9	13.0	23.8	47.7	39.0	16.2	32.1	33.5	20.0	23.2	13.5
30	23.0	17.8	40.2	11.0	26.2	51.1	42.5	17.6	34.7	36.8	17.5	26.3	13.6
40	25.5	18.6	39.4	9.3	26.7	56.6	46.1	17.1	35.6	41.4	18.6	27.7	12.4
60	29.5	22.3	42.3	11.4	28.6	57.9	47.5	15.1	41.6	43.4	19.9	28.7	14.4

Revision 113

Gal.	BTU RATING		Natural	Propane	Electrical
	Natural	Propane			
20	66,700	67,800	Supply Piping: 1/2" IPS	Supply Piping: 1/2" IPS	120 volt (standard) 208/240 volt (optional) 50/60 Hz 1 Phase 1 Amp
30	79,900	83,100	Supply Piping: 3/4" IPS	Supply Piping: 3/4" IPS	
40	106,800	108,500	Supply Pressure: 5-7" W.C. (nominal)	Supply Pressure: 12-14" W.C. (nominal)	
60	131,400	131,100	Outlet Pressure Factory Setting: 3.5" W.C.	Outlet Pressure Factory Setting: 9.0" W.C.	

