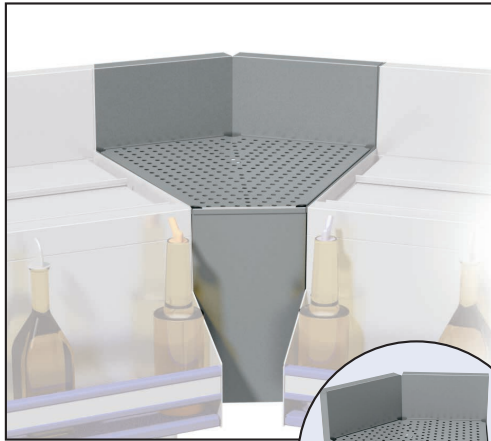
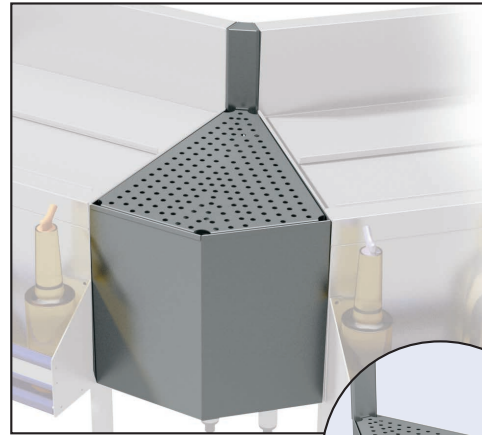
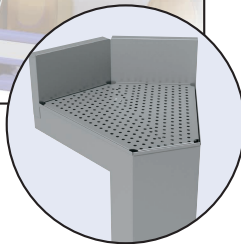


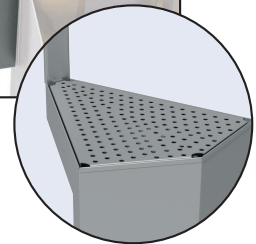
Item #: _____	Qty #: _____
Model #: _____	
Project #: _____	



**INSIDE CORNER**  
PRF-20-45IC Shown



**OUTSIDE CORNER**  
PRF-20-45OC Shown



**FEATURES:**

- 7" High X 1-3/4" Thick Backsplash.
- Must be Bolted to existing line-up equipment.
- Removable perforated drainboard top.
- Can be used on left or right side.

	Model #	Overall Size L x W x H	(C)	Approx. Weight	Approx. Cu. Ft.
INSIDE CORNER	PRF-20-45IC	20" x 20 3/8" x 21 5/8"	11 7/8"	82 lbs.	16
	PRF-25-45IC	25" x 27 1/8" x 21 5/8"	14"	84 lbs.	16
OUTSIDE CORNER	PRF-20-45OC	20" x 16 3/8" x 21 5/8"	8 7/8"	82 lbs.	16
	PRF-25-45OC	25" x 20 1/4" x 21 5/8"	11"	84 lbs.	16

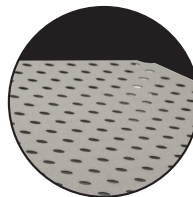
PLEASE NOTE: FILLERS BUILT TO ORDER & CAN NOT BE RETURNED

**MECHANICAL:**

- 1" IPS drain.
- Removable perforated drainboard top.

**MATERIAL:**

- 20 gauge, 300 stainless steel.
- Drainboard:** 18 gauge, 300 stainless steel.



**Removable Perforated  
Drainboard Top Included**

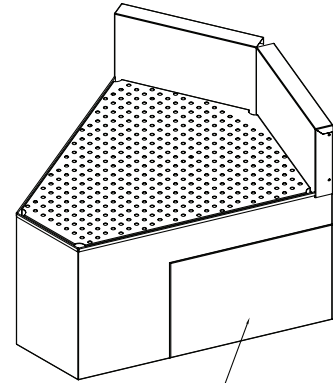
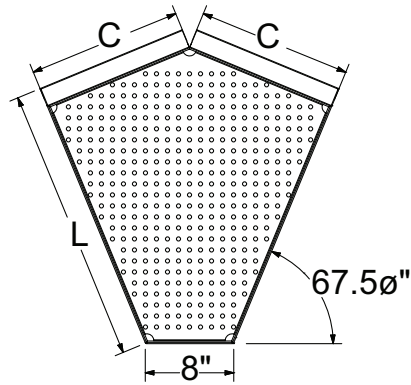
OPTIONAL STAINLESS STEEL LEGS W/ ADJUSTABLE STAINLESS STEEL BULLET FEET & CUSTOM SIZES AVAILABLE  
Consult Factory For Details

# DIMENSIONS and SPECIFICATIONS

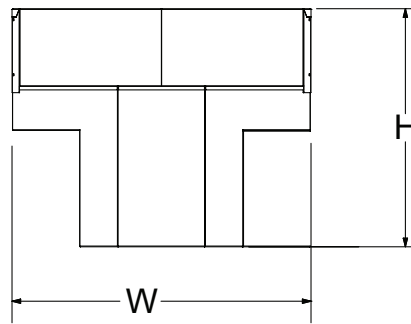
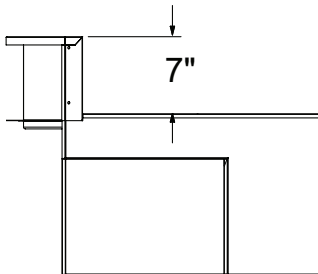
TOL Overall:  $\pm .500"$  Interior:  $\pm .250"$

ALL DIMENSIONS ARE TYPICAL

## PRF-Series Inside Corner (IC)



SHOWN WITH OPTIONAL  
SIDE FOR MOUNTING LEGS



## PRF-Series Outside Corner (OC)

