



PLANETARY MIXER



Planetary Mixer, Floor Model, 60 Quart Capacity, 20 Speeds, Includes Stainless Steel Bowl, Safety Guard, Dough Hook, Whip & Flat Beater, Cast Iron Frame with Enamel Coated Steel Finish, 4 HP



PROJECT _____

ITEM NO. _____

NOTES _____

MODEL NUMBER: **BTF060**



FEATURES

- Includes 63 Quart Stainless Steel Bowl, Dough Hook, Wire Whip, Flat Beater, and Ingredient Chute
- Unique Easy to Use Digital Control
 - 20 Speeds (no need to stop mixer to change speed)
 - 99 Minute Mixing Timer
 - 7 Programmable Speed & Time Settings
- Emergency Stop
- Wire Guard for Bowl Featuring Automatic Motor Cut-Off Switch
- Thermal Overload Protection for Motor
- Manual Bowl Lift with Integrated Bowl Locks
- Non-Slipping Belt

CONSTRUCTION

- Heavy Duty Frame with Lead-Free Enamel Coating
- S/S Legs to Prevent Rusting
- Carbon Steel Frame
- Four Stationary Casters
- Quick Locking Anti-Vibration Device to Secure Mixer

OPTIONS & ACCESSORIES

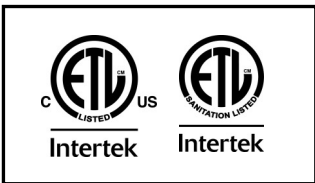
- Stainless Steel Construction [Suffix I]
- #12 Hub Attachment
- Dolly [BTF060D]
- Vegetable & Pepperoni Slicer Attachment [SM100CL]
- Meat Grinder Attachment [SM100HV]

CLEARANCES

- 6" (152mm) On All Sides
- Top & Bottom Must Remain Unobstructed
- Note Additional Clearance Requirements if Utilizing #12 Hub Attachment

WARRANTY

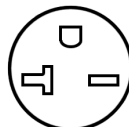
- One Year Labor & Two Year Parts



Model	Weight	Overall Dimensions			Motor	Hub	Dough Capacity (55% AR)
		W	D	H			
BTF060	850 (386)	24 7/8" (632)	36 1/4" (921)	56 3/4" (1440)	4	YES	60 lbs (28 kg)

Model	Electrical System			
	Volts	Amps	Phase	NEMA
BTF060	208	16	1	6-20P
	240	10	3	L15-20P

NEMA 6-20P



NEMA 6L15-20P



SPECIFICATIONS SUBJECT TO CHANGE WITHOUT NOTICE

KCL & REVIT DRAWINGS UPON REQUEST

REVISION B | 5/13/2021

Follow Us



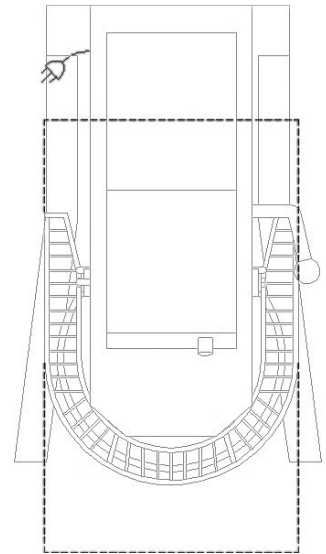
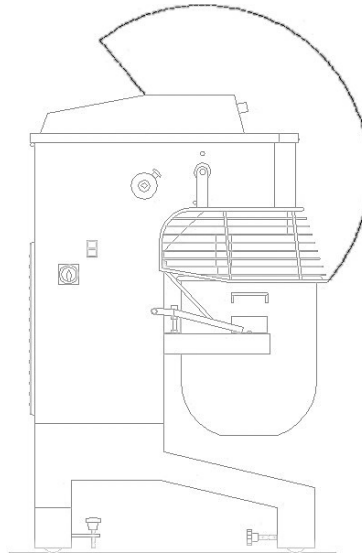
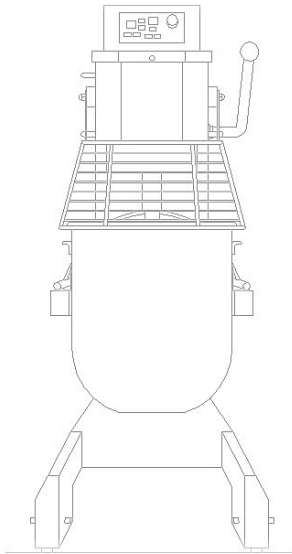
Doyon

5600 13th Street, Menominee, MI 49858

906.863.4401 | 800.338.9886 | www.doyon.qc.ca



DRAWINGS



ATTACHMENTS



BTF060B



BTF060C



BTF060F



BTF060P



BTF060S



BTF060D

Due to periodic changes in designs, methods, procedures, policies and regulations, the specifications contained in this sheet are subject to change without notice. While Doyon exercises good faith efforts to provide information that is accurate, we are not responsible for errors or omissions in information provided or conclusions reached as a result of using these specifications. By using the information provided, the user assumes all risks in connection with such use.

