

APPLICATION:

JOB NAME:

QUANTITY: ITEM NO.

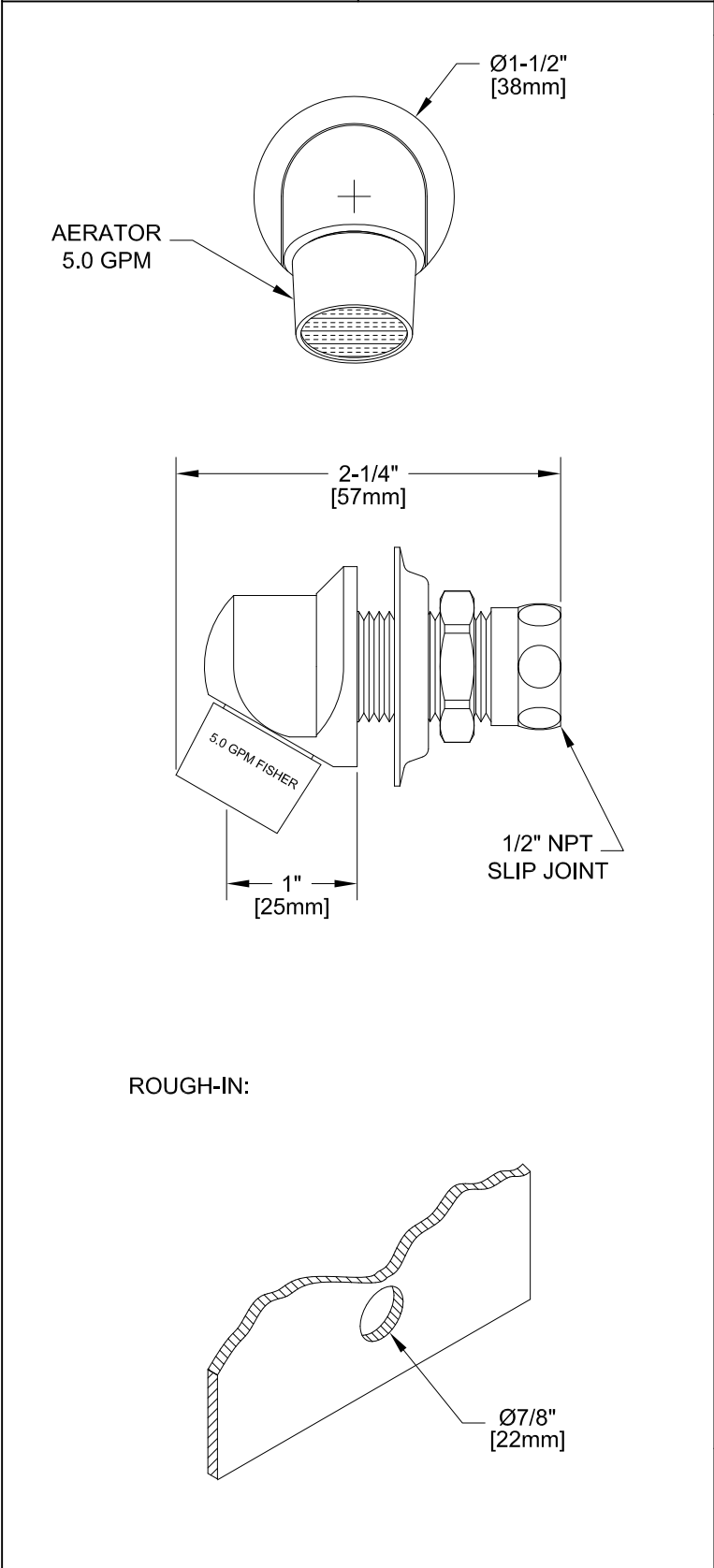
PRODUCT NAME:

TROUGH INLET FITTING - 1/2" INLET

SPECIAL CONFIGURATION
CHECK BASE MODEL AND OPTIONS

MODEL:

2905



OPTIONS OR MODIFICATIONS:

OTHER _____

FEATURES

- * 1/2" MALE NPT INLET
- * SLIP JOINT KIT INCLUDED

SYSTEM LIMITS

- * TEMP: 40°F MIN. TO 140°F MAX.
- * PRESSURE: 200 PSI MAX. STATIC
- * 5.0 GPM AT 80 PSI

SHIPPING WEIGHT

- * 0.5 LBS