

Project \_\_\_\_\_  
 Item \_\_\_\_\_  
 Quantity \_\_\_\_\_  
 CSI Section 11400 \_\_\_\_\_  
 Approval \_\_\_\_\_  
 Date \_\_\_\_\_

Models  
FlightStar



Options

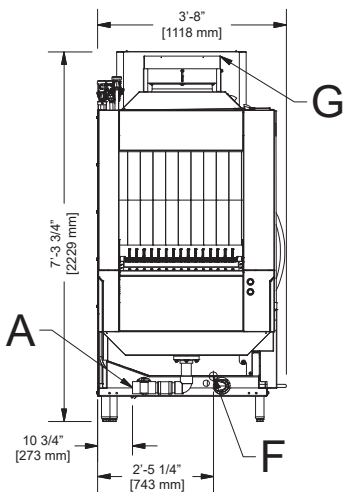
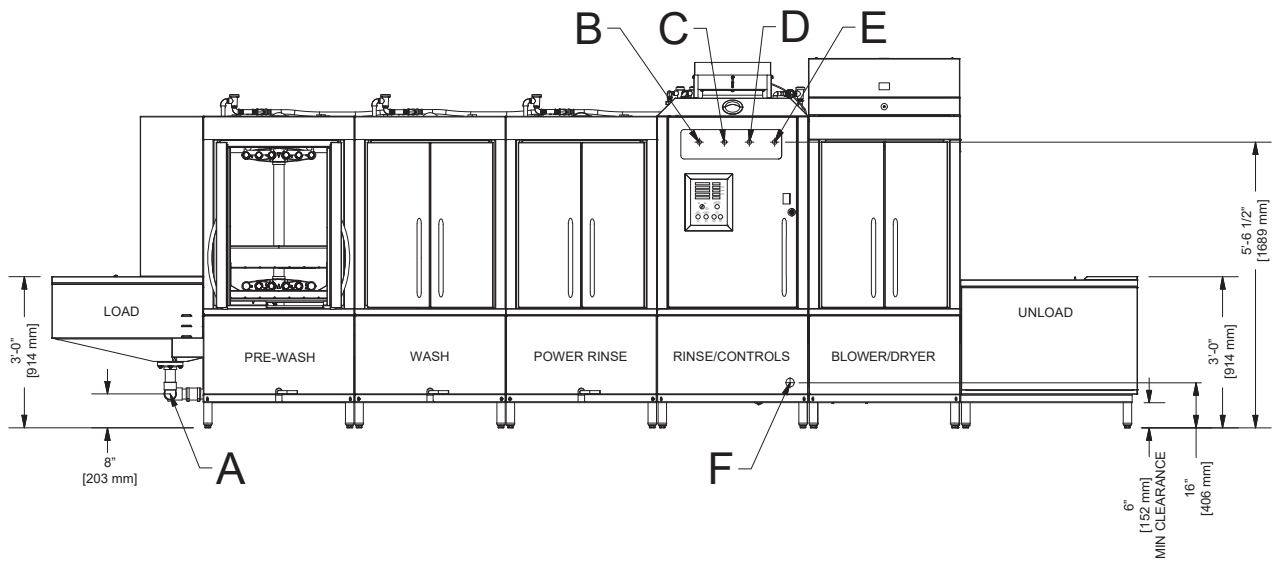
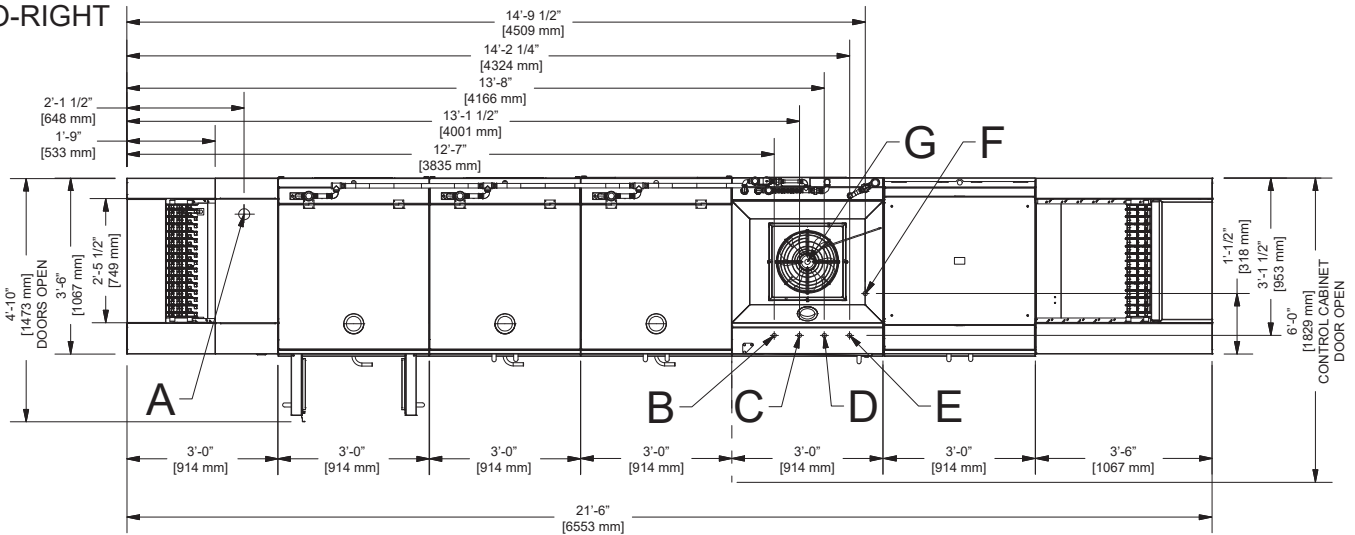
- Blower dryer
- Additional pre-wash section
- Additional wash section
- Additional 36" load module
- Additional 18" unload module
- Additional 36" unload module
- 25' (8m) wash down hose - mounted
- Electrical connection with circuit breakers
- Flanged feet
- Drain at load or unload end
- Corrections Package

Standard Features

- Uses 50 gallons (189.27 liters) of water per hour with hot water sanitizing rinse
- Two tank rackless conveyor with belt drive that operates at two speeds and shall have a maximum capacity of 14,964 dishes per hour at a belt speed of 8.6 (2.0 M) feet per minute. At 6.8 feet (1.6 M) per minute capacity will be 11,832 dishes per hour
- Conveyor belt drive is protected by an overload safety device and an automatic shut-down actuator
- Belt width of 29" (737 mm) and a maximum clearance of 25" (635 mm) throughout the machine
- Hinged doors provide easy access into the dishmachine for cleaning and servicing
- Doors, hood and rear enclosure panels are stainless steel and double-wall insulated to reduce heat dissipation, outside surface temperatures, and decibel level while keeping inside water temperatures hot
- Adjustable rinse system for increased performance. Choose Econo Rinse for normal operation (50 gallons [189.27 liters] per hour), and Turbo Rinse for heavier soiled loads (92 gallons [348.26 liters] per hour)
- Exclusive Rainbow Rinse™ features arched, removable upper rinse arm that provides superior rinse action while reducing water usage
- Specially designed self-cleaning wash arms feature non-clogging, convex jet nozzles that deliver equalized water pressure and uniform cleanability
- LED digital temperature readout of each tank housed in the door of the electrical control panel. The readouts will continuously display the temperature of the pre-wash, wash, power rinse and final rinse
- Drive motor features a pulsed drive reverse to clear jams in the belt, activated from the unload end
- A ball valve in the drain line of each tank and interconnected to a common machine drain connection at either end of the machine
- Each tank will be automatically filled and maintained by a dual water level float. Water will be automatically added to the machine when required
- Large, removable scrap screens are easy to handle and fit inside all 20-55 gallon waste receptacles
- Pre-wash includes a deep-well removable scrap basket in addition to a large removable scrap screen
- Venting duct with sloped-to-rear draining reduces residue build-up from standing water
- Self-draining stainless steel pumps, impellers, and housings are readily accessible and serviceable
- Service access from front of machine
- Each door is equipped with a safety switch. If a door is opened during operation the switch will immediately shut down the pumps and belt
- Operator activated start-stop switches on both the load and unload ends and the control panel
- Belt tension adjustment
- Removable insulated panels to enclose the unit down to the base frame on both the front and rear of the machine
- All tanks and hoods constructed from durable stainless steel with a No. 3 finish and heliarc-welded
- Stainless steel frame, legs and feet
- A single, built-in 18" square (457 mm x 457 mm) indirect vent connection with a 0.19 hp exhaust fan mounted in a cleanable cross duct on the machine for exhaust steam removal and indirect vent connection
- 3" minimum wall clearance

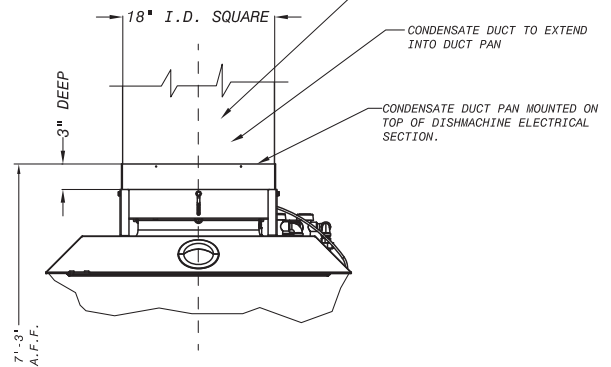


## LEFT-TO-RIGHT



CONDENSATE EXHAUST DUCT.  
MINIMUM 17-7/8" SQUARE  
(CROSS SECTION 319.5 SQ INCHES)  
PROVIDED BY HVAC CONTRACTOR

### EXHAUST REQUIREMENTS - 1200 CFM



### LEGEND

- A - 2" NPT Machine Drain Connection  
(Floor drain - optional to either end)
- B - Booster Heater Electrical Connection
- C - Wash Tank Electrical Connection
- D - Power Rinse Tank Electrical Connection
- E - Blower/Controls/Pre-wash Electrical Connection
- F - 3/4" NPT Incoming Water Connection
- G - Vent Connection (Adjustable)

4-point electrical connection shown.

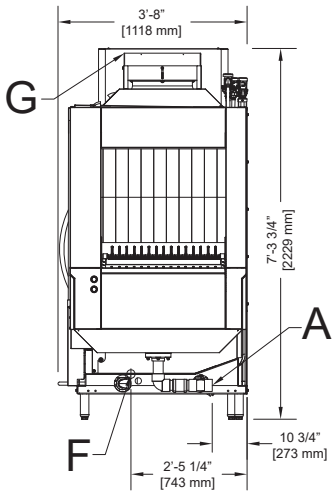
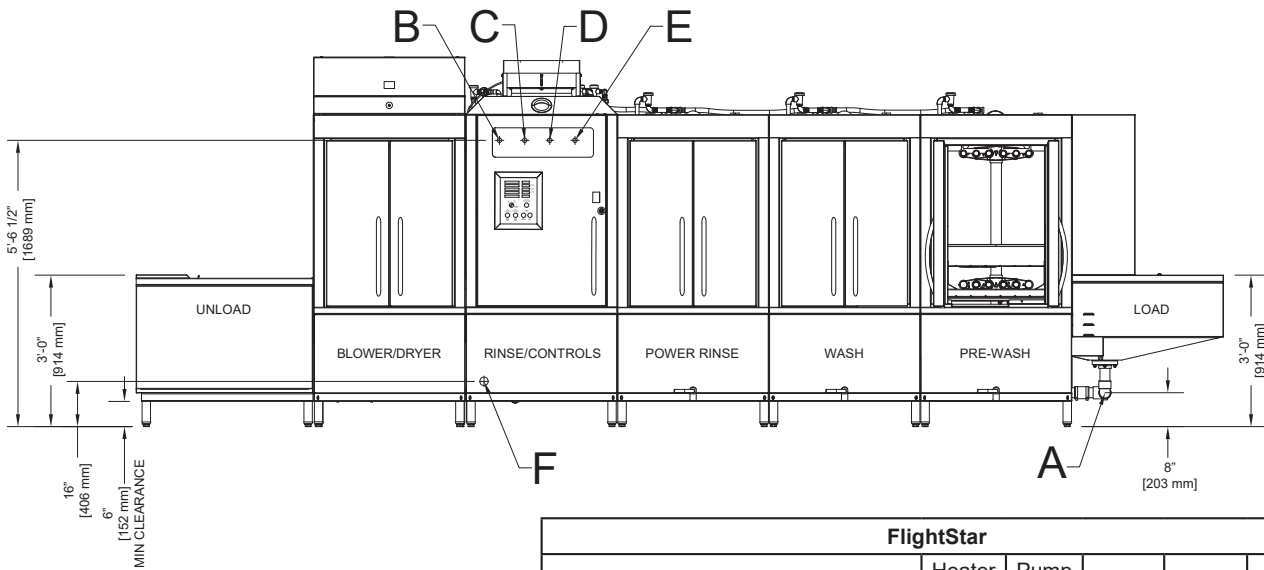
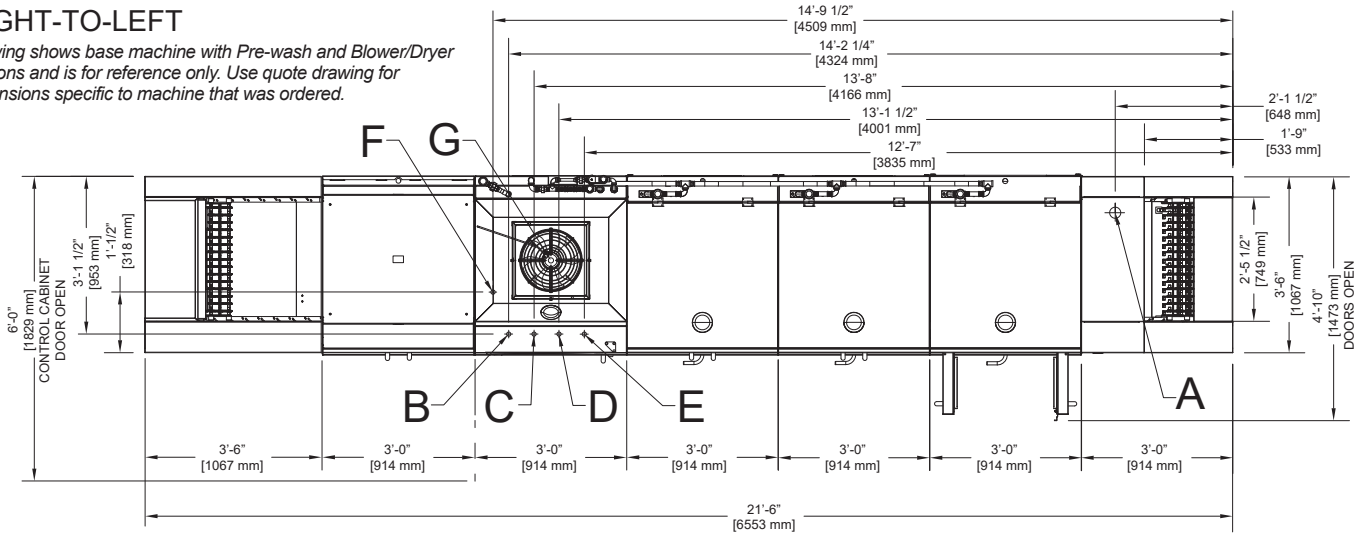
All dimensions from the floor can be increased 2" using the machine's adjustable feet.

### Note:

The steam vapor removal system built into the dishmachine consists of a fan that will remove 1200 CFM. A single steam vapor connection must be provided by the installing contractor. This is an indirect connection that must be capable of removing 1200 CFM from the area.

**RIGHT-TO-LEFT**

Drawing shows base machine with Pre-wash and Blower/Dryer sections and is for reference only. Use quote drawing for dimensions specific to machine that was ordered.



FlightStar					
	Heater kW	Pump HP	208 V	230 V	460 V
Wash Heater & Pump Section	27	3	84.1 A	70.8 A	35.4 A
Power Rinse Heater & Pump Section	30	3	92.5 A	77.8 A	38.9 A
Motors, Pre-wash Pump, & Controls	-	3	11.3 A	10.7 A	5.5 A
Booster Option	27		74.9 A	65.0 A	32.5 A

FlightStar with Blower-Dryer					
	Heater kW	Pump HP	208 V	230 V	460 V
Wash Heater & Pump Section	27	3	84.1 A	70.8 A	35.4 A
Power Rinse Heater & Pump Section	30	3	92.5 A	77.8 A	38.9 A
Motors, Pre-wash Pump, Controls, & Blower-Dryer	9	3	41.5 A	36.6 A	18.9 A
Booster Option	27		74.9 A	65.0 A	32.5 A

Electrical tables show base machine with Pre-wash section and base machine with Pre-wash and Blower/Dryer sections and are for reference only. Use machine data plate for electrical specs specific to machine that was ordered.

- LEGEND**
- A - 2" NPT Machine Drain Connection (Floor drain - optional to either end)
  - B - Booster Heater Electrical Connection
  - C - Wash Tank Electrical Connection
  - D - Power Rinse Tank Electrical Connection
  - E - Blower/Controls/Pre-wash Electrical Connection
  - F - 3/4" NPT Incoming Water Connection
  - G - Vent Connection (Adjustable)

4-point electrical connection shown.  
All dimensions from the floor can be increased 2" using the machine's adjustable feet.

If water hardness exceeds three grains, a water softener is required.



### LOAD SECTION

A “start/stop” switch is located at the load end of the machine for the operator’s convenience.

Load platform is 14 gauge stainless steel.

### PRE-WASH SECTION

The pre-wash section features a stainless steel manifold system with specially designed self-cleaning wash arms feature non-clogging, convex jet nozzles that deliver equalized water pressure and uniform cleanability.

A 3.0 hp, 1725 RPM motor and pump is horizontally mounted. The pump housing is stainless steel and self-draining. A stainless steel strainer with a removable basket is included.

### WASH SECTION

The wash section features a stainless steel manifold system with specially designed self-cleaning wash arms feature non-clogging, convex jet nozzles that deliver equalized water pressure and uniform cleanability.

A 3.0 hp, 1725 RPM motor and pump is horizontally mounted. The pump housing is stainless steel and self-draining. A stainless steel strainer is included.

### POWER RINSE SECTION

The power rinse section features a stainless steel manifold system with specially designed self-cleaning wash arms feature non-clogging, convex jet nozzles that deliver equalized water pressure and uniform cleanability.

A 3.0 hp, 1725 RPM motor and pump is horizontally mounted. The pump housing is stainless steel and self-draining. A stainless steel strainer is included.

## Machine Dimensions

Load Section		
Height	Depth	Length
36" (914 mm)	42" (1067 mm)	36" (914 mm)

Pre-Wash Section		
Height	Depth	Length
74" (1880 mm)	44" (1118 mm)	36" (914 mm)

Wash Section		
Height	Depth	Length
74" (1880 mm)	44" (1118 mm)	36" (914 mm)

Power Rinse Section	
Height	Depth
74" (1880 mm)	44" (1118 mm)

## Shipping Dimensions

Load/Unload (Shipped Together)		
Height	Depth	Length
71" (1803 mm)	48" (1219 mm)	60" (1524 mm)
Weight: 621 lbs (282 kg)		

Pre-Wash Section		
Height	Depth	Length
71" (1803 mm)	48" (1219 mm)	60" (1524 mm)
Weight: 627 lbs (285 kg)		

Wash Section		
Height	Depth	Length
79" (2007 mm)	48" (1219 mm)	60.25" (1531 mm)
Weight: 642 lbs (291 kg)		

Power Rinse Section	
Height	Depth
79" (2007 mm)	48" (1219 mm)
Weight: 627 lbs (285 kg)	



### SECTION

n features a  
l system with  
cleaning rinse  
ing, convex jet  
ualized water  
cleanability.

tor with a  
and impeller

### FINAL RINSE SECTION

The dual final rinse features our exclusive Rainbow Rinse™ with arched, removable upper rinse arms that provide superior rinse action while reducing water usage. Choose Econo or Turbo based on the soil load of your ware.

The final rinse water will cascade back to the power rinse, wash, then the pre-wash tanks.

### BLOWER DRYER SECTION

A stainless steel tunnel incorporated into the discharge section of the machine. The blower dryer keeps the operating personnel from removing the ware before they reach the end of the unload section. An industrial fan with a squirrel cage driven by a 3.1 kW direct drive motor dries the ware as they exit the machine.

**\*The Blower Dryer is an option and must be specified at time of order.**

### UNLOAD SECTION

A “start/stop” switch and a pulsed drive reverse switch are located at the unload end of the machine for the operator’s convenience.

A swing stop mechanism pauses the conveyor for unloading.

Unload platform is 14 gauge stainless steel.

The drive wheel shaft is supported by two heavy-duty grease-lubricated ball bearings in pillow blocks.

Section	
Length	
36"	
(914 mm)	

Final Rinse Section		
Height	Depth	Length
87"	44"	36"
(2210 mm)	(1118 mm)	(914 mm)

Blower Dryer Section		
Height	Depth	Length
89"	44"	36"
(2261 mm)	(1118 mm)	(914 mm)

Unload Section		
Height	Depth	Length
36"	42"	42"
(914 mm)	(1067 mm)	(1067 mm)

Section	
Length	
60"	
(1524 mm)	
Weight: 284 kg	

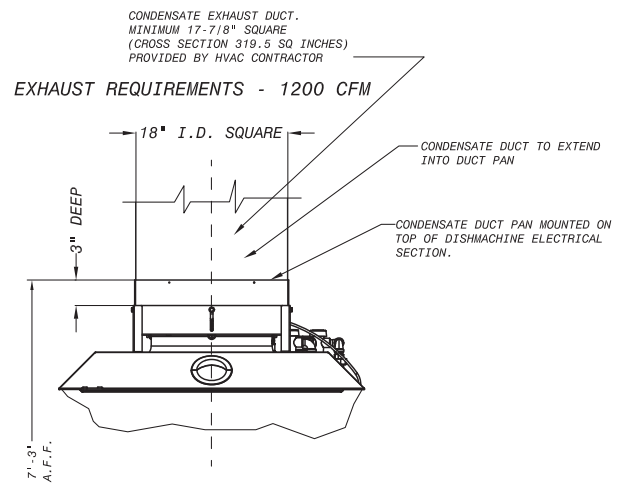
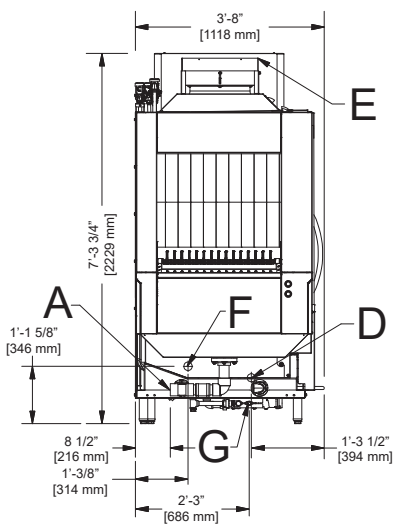
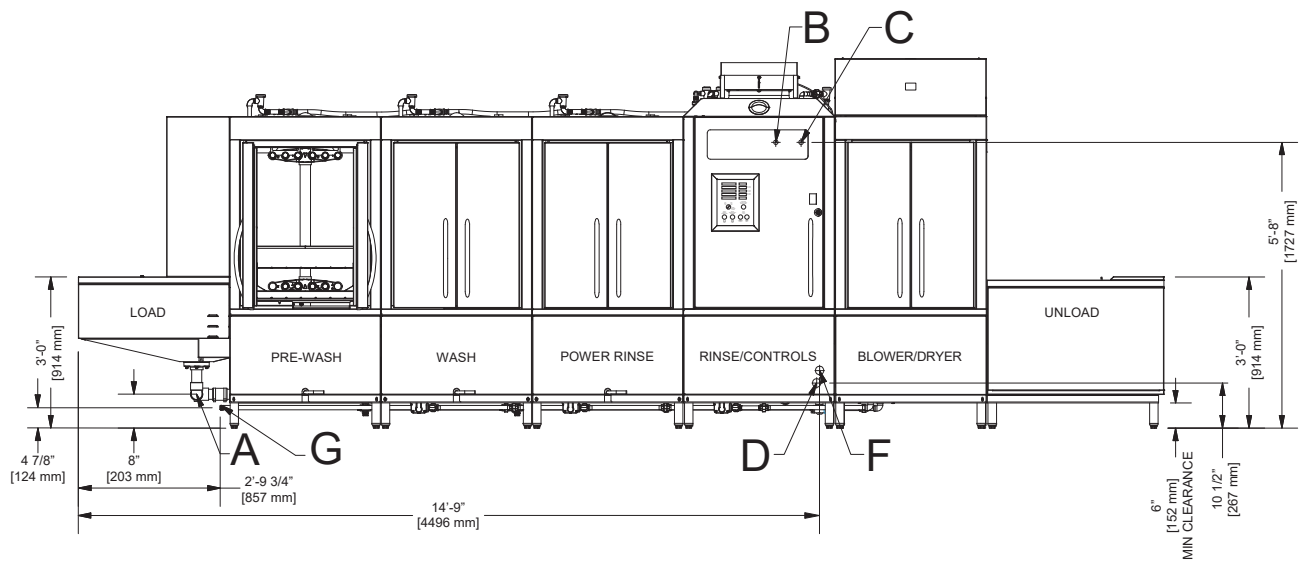
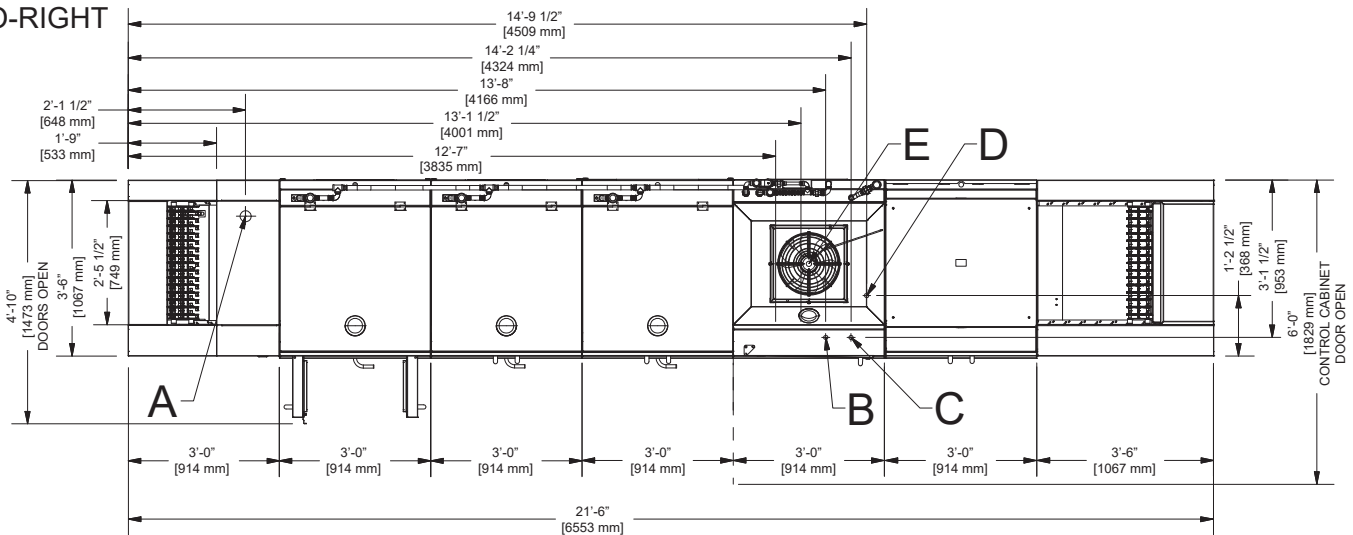
Final Rinse Section		
Height	Depth	Length
88"	48"	60"
(2235 mm)	(1219 mm)	(1524 mm)
Weight: 635 lbs (288 kg)		

Blower Dryer Section		
Height	Depth	Length
93"	48"	60"
(2362 mm)	(1219 mm)	(1524 mm)
Weight: 504 lbs (229 kg)		

Unload Section
Shipped with Load End

# FlightStar® Steam

LEFT-TO-RIGHT



**LEGEND**

- A - 2" NPT Machine Drain Connection (Floor drain - optional to either end)
- B - Wash/Power Rinse Electrical Connection
- C - Blower/Controls/Pre-wash Electrical Connection
- D - 3/4" NPT Incoming Water Connection
- E - Vent Connection (Adjustable)
- F - 3/4" NPT Machine Steam Inlet
- G - 3/4" NPT Condensate Return

2-point electrical connection shown.

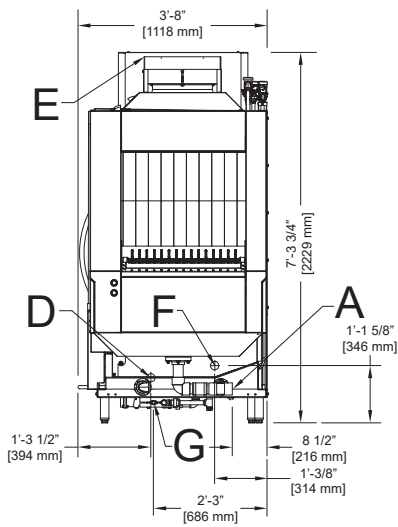
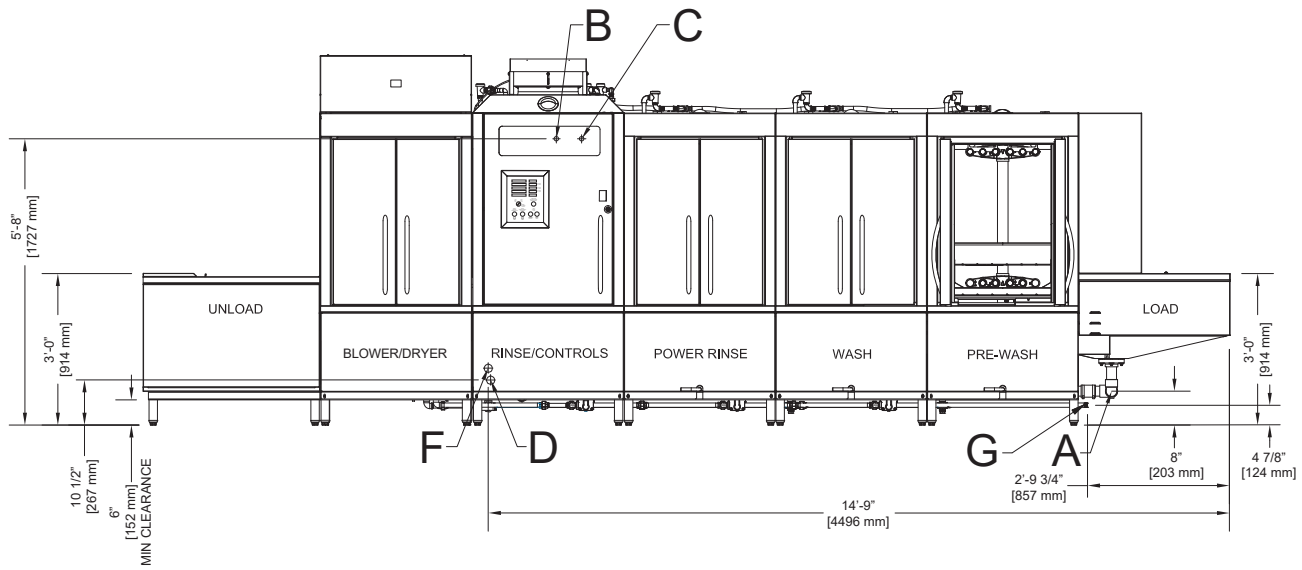
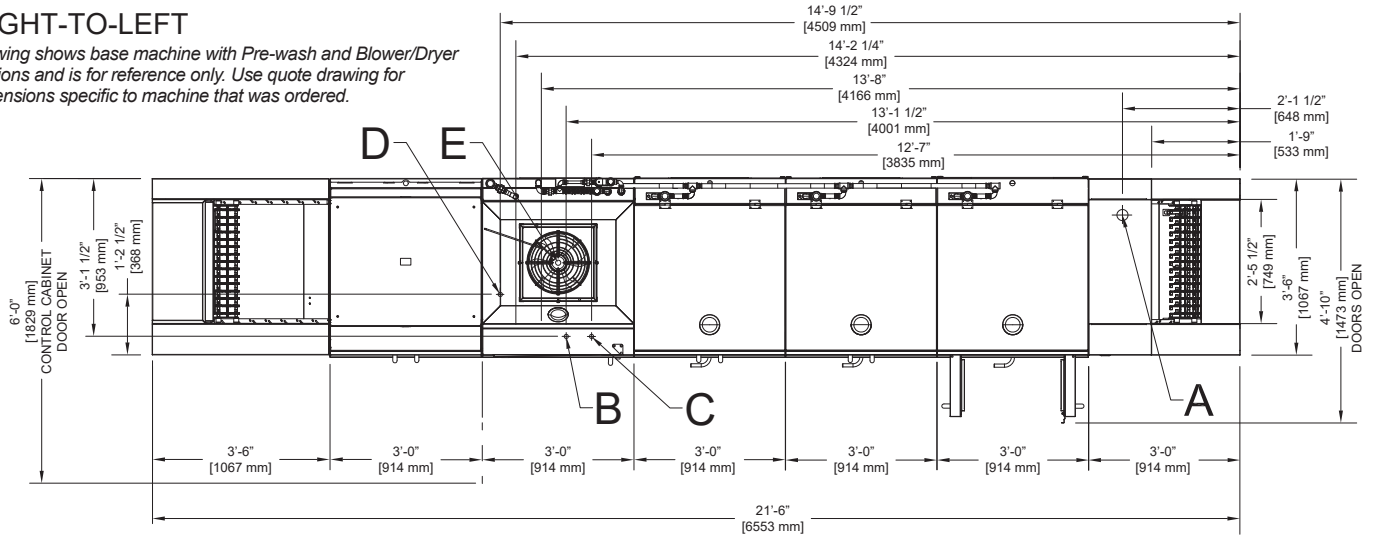
All dimensions from the floor can be increased 2" using the machine's adjustable feet.

**Note:**

The steam vapor removal system built into the dishwasher consists of a fan that will remove 1200 CFM. A single steam vapor connection must be provided by the installing contractor. This is an indirect connection that must be capable of removing 1200 CFM from the area.

## RIGHT-TO-LEFT

Drawing shows base machine with Pre-wash and Blower/Dryer sections and is for reference only. Use quote drawing for dimensions specific to machine that was ordered.



### LEGEND

- A - 2" NPT Machine Drain Connection  
(Floor drain - optional to either end)
  - B - Wash/Power Rinse Electrical Connection
  - C - Blower/Controls/Pre-wash Electrical Connection  
2-point electrical connection shown.
  - D - 3/4" NPT Incoming Water Connection
  - E - Vent Connection (Adjustable)
  - F - 3/4" NPT Machine Steam Inlet
  - G - 3/4" NPT Condensate Return
- All dimensions from the floor can be increased 2" using the machine's adjustable feet.

FlightStar Steam				
	Pump HP	208 V	230 V	460 V
Wash & Power Rinse Sections	3	18.4 A	17.2 A	8.6 A
Motors, Pre-wash Pump, & Controls	3	11.3 A	10.7 A	5.5 A

FlightStar Steam with Blower-Dryer				
	Pump HP	208 V	230 V	460 V
Wash & Power Rinse Sections	3	18.4 A	17.2 A	8.6 A
Motors, Pre-wash Pump, Controls, & Blower-Dryer	3	16.5 A	15.9 A	8.5 A

Electrical tables show base machine with Pre-wash section and base machine with Pre-wash and Blower/Dryer sections and are for reference only. Use machine data plate for electrical specs specific to machine that was ordered.

If water hardness exceeds three grains, a water softener is required.



**Warewashing Systems**

FlightStar®

**ELECTRICAL**

Easy-to read control panel with LED digital temperature readout of each tank housed in the door of the electrical control panel. The readouts will continuously display the temperature of the pre-wash, wash, power rinse and final rinse mounted in a stainless steel control cabinet on the front of the machine. A step-down transformer is included to provide 115 volt, 60 cycles, 1 phase operation for controls including solenoid valves, timers, etc. Wiring is 105C, 600-volt thermoplastic insulated wire and routed through UL approved conduit.

Low watt density tubular heating elements are mounted inside the wash and power rinse tanks and are easily removable from the exterior of the unit. Heaters are protected by a water level float switch control and a high limit overload.

Tank water temperature is maintained by a fast reacting thermostat which will control the heating element.

**STEAM**

Stainless steel tubular steam coils mounted inside the wash and power rinse tanks below the optimum water level and protected by a water level float switch control. An external "Y" strainer and high temperature steam solenoid to regulate the flow of steam through the coil. Tank temperature is controlled and maintained by a fast reacting thermostat that will control the operation of the steam solenoid. A float and thermostatic steam trap to remove the condensate from the coil are included. Steam coils will require a 10-30 PSI flowing steam pressure.

**BOOSTER HEATERS - ELECTRIC**

An internally mounted 27 kW electric booster heater sized to raise incoming 110 °F (43 °C) water supply to 180 °F (82 °C) minimum for sanitizing rinse. The electric booster heater will have the capacity to heat up to 123 GPH from 110 °F (43 °C) to 180 °F (82 °C). The heater is complete with all plumbing, including NPT pipe and fittings from inlet and outlet. Electric heating elements are metal sheathed controlled by a close tolerance immersion thermostat. The booster is protected with a high temperature limit switch and low water cut-off.

**BOOSTER HEATERS - STEAM**

An internally mounted steam booster heater sized to raise incoming 110 °F (43 °C) water supply to 180 °F (82 °C) minimum for sanitizing rinse. The steam booster heater will have the capacity to heat up to 123 GPH from 110 °F (43 °C) to 180 °F (84 °C). The heater is complete with all plumbing, including NPT pipe and fittings necessary to meet all installation requirements.

DIMENSION REQUIREMENTS	
Wall Clearance	3" (19 mm) minimum 18" (457.2 mm) recommended
Inside Clearance	25"H x 30"W (635 mm x 762 mm)

OPERATING CAPACITY	
Dishes per Hour - Belt Speed 8.6 FPM (2.6 MPM)	14,964
Dishes per Hour - Belt Speed 6.8 FPM (2.1 MPM)	11,832

OPERATING TEMPERATURES	
Pre-wash (Recommended)	140 °F (60 °C)
Wash (Minimum)	150 °F (66 °C)
Power Rinse (Minimum)	165 °F (74 °C)
Final Rinse	180 °F (82 °C)

MOTORS	
Pre-wash Pump Motor	3.0 hp
Wash Pump Motor	3.0 hp
Power Rinse Pump Motor	3.0 hp
Conveyor Drive Motor	1/4 hp

HOW TO SPECIFY: FlightStar

STEAM REQUIREMENTS	
Steam Flow Pressure (PSIG)	10-30
Consumption @110 °F Incoming Water Temp (Tanks only)	216 lbm/hr
Consumption @110 °F Incoming Water Temp (70 °F Rise Booster)	68 lbm/hr
Consumption with blower dryer	34 lbm/hr

WATER REQUIREMENTS	
Inlet Temperature	110 °F (43 °C)
Gallons per Hour (Econo Rinse)	50 gal (189.27 L)
Gallons per Hour (Turbo Rinse)	92 gal (348.26 L)
Waterline Size IPS (Minimum-inches)	3/4" (19 mm)
Drainline Size IPS (Minimum-Inches)	2" (51 mm)
Flow Pressure (PSIG)	15

TANK CAPACITY	
Pre-wash Tank	34.2 gal (130 L)
Wash Tank	35.9 gal (136 L)
Power Rinse Tank	37.5 gal (142 L)

PUMP CAPACITY	
Pre-wash Pump	250 GPM (946 LPM)
Wash Pump	250 GPM (946 LPM)
Power Rinse Pump	250 GPM (946 LPM)

**Jackson WWS, Inc.**

Shipping Address: 6209 North U.S. Highway 25E, Gray, KY 40734  
 Mailing Address: P.O. Box 1060, Barbourville, KY 40906  
 Telephone: 888-800-5672 • Fax: 606-523-1799  
 Email: info@jacksonwws.com  
 07610-003-94-17 [10/01/2020]

[www.jacksonwws.com](http://www.jacksonwws.com)