

TempStar® HH-E VER

Tall Chamber High Temperature Sanitizing
Ventless Door-type with Energy Recovery

Standard Features

- ▶ Ventless: does not require a hood
- ▶ Unique, two-pass Energy Recovery System
- ▶ Cold water connection only
- ▶ Door interlock keeps door locked during cycle
- ▶ Built-in 70 °F (38.9 °C) rise booster heater with Sani-Sure™ final rinse system ensures proper rinse water temperature
- ▶ Automatic tank fill
- ▶ Door-actuated start
- ▶ Four (4) selectable timed cycles
- ▶ Delime/manual wash mode
- ▶ 27" (686 mm) vertical chamber clearance accommodates sheet pans and 60-quart mixing bowls
- ▶ Specially designed stainless steel nozzles provide superior cleaning action
- ▶ Interchangeable upper and lower wash/rinse arms
- ▶ Door switch
- ▶ 1 HP self-draining stainless steel wash pump motor
- ▶ Large scrap basket
- ▶ Pressure regulator is provided for installation by others
- ▶ Single point connections for all utilities
- ▶ Field convertible from straight through to corner and vice versa (kit required)
- ▶ Field convertible from 3-phase to single phase and vice versa (kit required)
- ▶ Low watt density electric wash tank heater
- ▶ Hi-limit thermostat and low water protection
- ▶ Detergent/rinse additive signal connection fuse box
- ▶ Front stainless steel dress panels
- ▶ Uses standard 20" X 20" (508 mm X 508 mm) racks
- ▶ Adjustable bullet feet
- ▶ Durable stainless steel construction
- ▶ Requires some assembly



TempStar® HH-E VER

Specification Statement

Specified unit will be a Jackson TempStar HH-E VER tall chamber ventless high temperature sanitizing door-type dishwasher with two-pass energy recovery system, rated by ETL Sanitation to NSF/ANSI Standard 3. Unit will be ENERGY STAR® certified. Unit to be rated for 41 racks per hour, 0.89 gallons per rack, and will include a built-in 70 °F rise booster heater with Sani-Sure™ final rinse system, four (4) selectable timed cycles, 27" chamber clearance, and solid-state controls. Other features include automatic tank fill, door-actuated start, interchangeable upper and lower wash/rinse arms, manual/delime wash mode, vent fan control, and 2 HP stainless steel wash pump motor. Constructed of durable stainless steel with adjustable bullet feet.

1-year parts and labor warranty.

Options & Accessories

- ▶ 460V Electrical
- ▶ Single Phase
- ▶ Drain Water Tempering Kit
- ▶ Water Hammer Arrestor
- ▶ False Panel (for corner installations)
- ▶ Flanged Feet
- ▶ Security Package
- ▶ Scaltrol
- ▶ Replacement Cartridge for Scaltrol
- ▶ 36-Compartment Rack 4-1/8" tall (105 mm)
- ▶ 5-5/8" tall (143 mm)
- ▶ 7" tall (178 mm)
- ▶ Combination Rack
- ▶ Peg Rack
- ▶ Sheet Pan Rack - for 18" X 26" (457 mm X 660 mm) baking pans





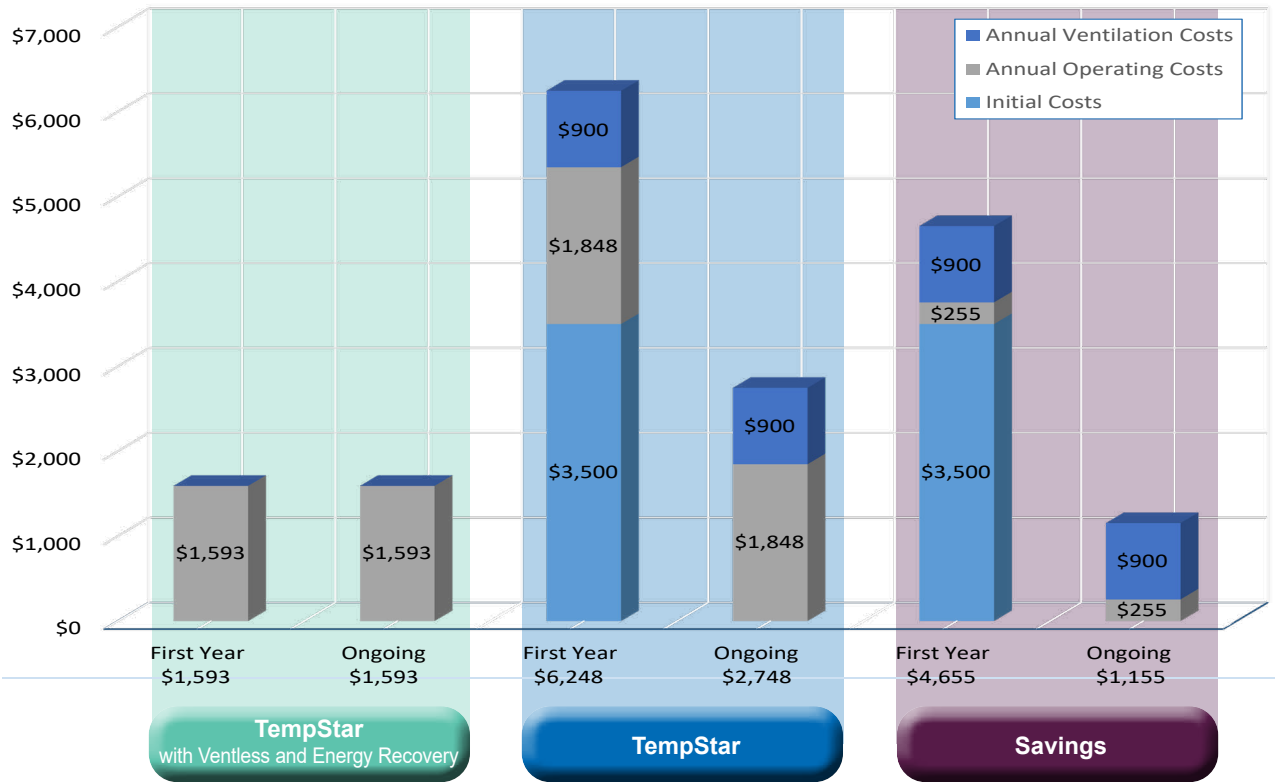
Warewashing Systems

JACKSON VENTLESS TECHNOLOGY SAVINGS

Purchase and Installation of Vent Hood	\$3,500
HVAC Used to Evacuate Steam	\$900
Energy Recovery	\$255

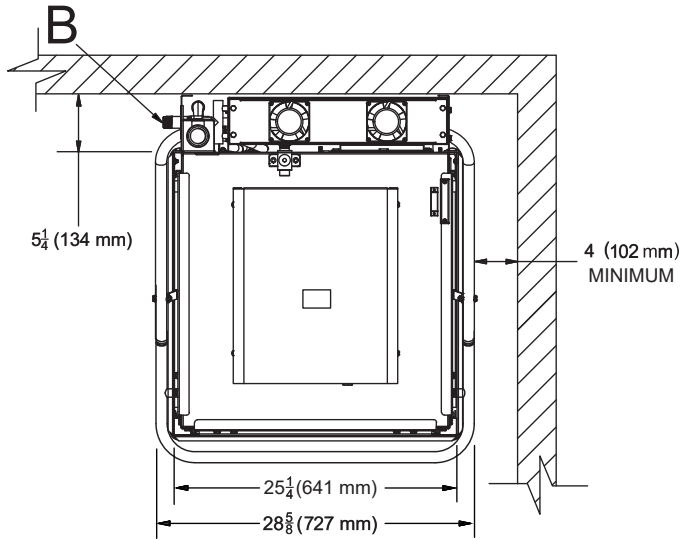


**TOTAL SAVINGS \$4,655 the first year
\$1,155 every year after**



*Based on standard height TempStar Ventless with Energy Recovery model. The following standards were used to calculate the above:

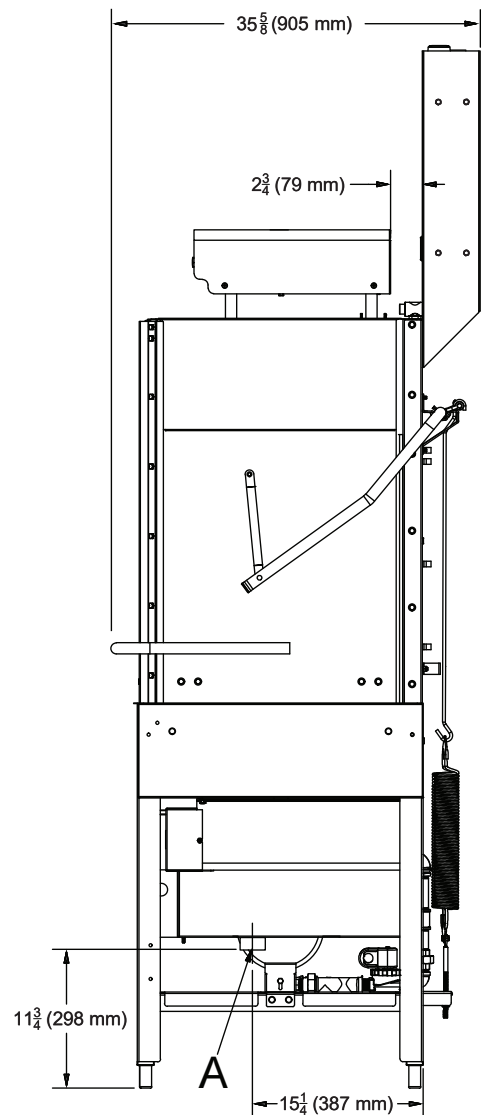
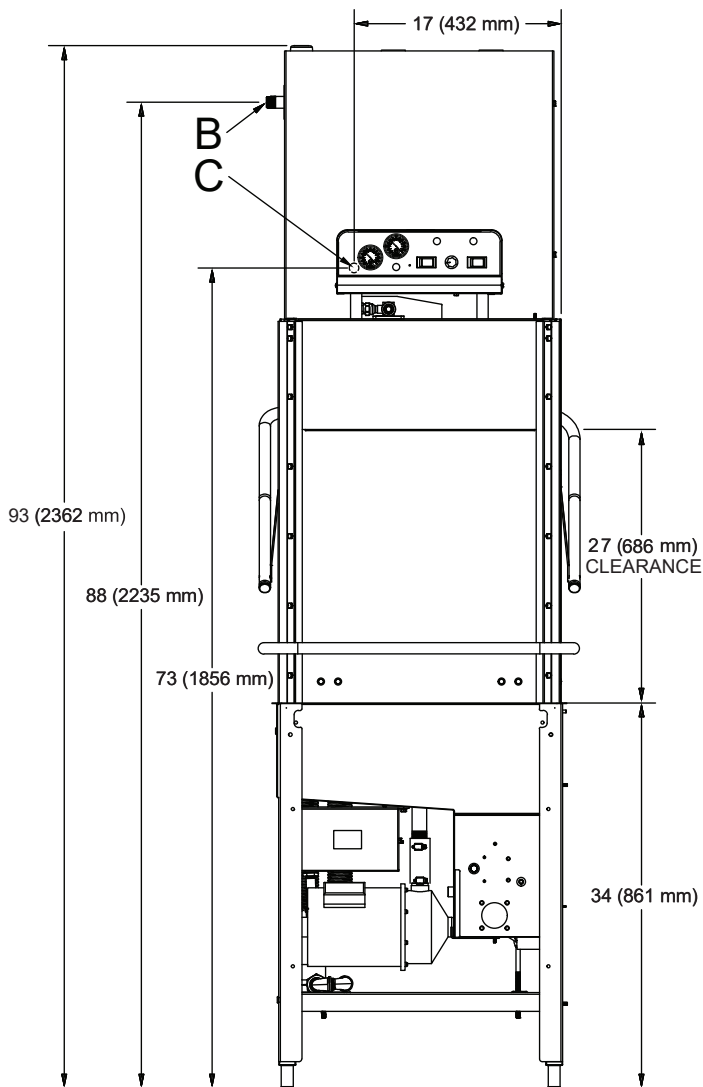
Days per week	7	Cycles per day	200	Ground water temp	65	Gas cost per therm	\$0.8600
Hours per day	12	Water cost per gallon	\$0.00698	Electric cost per kW	\$0.0962	Hood	450 CFM



LEGEND

- A - Drain (1 1/2" NPT)
- B - Water Inlet (3/4" NPT)
- C - Electrical Connection

All dimensions from floor can be increased 1 1/8" using the machine's adjustable feet.





Warewashing Systems

TempStar® HH-E VER

Tall Chamber High Temperature Sanitizing
Ventless Door-type with Energy Recovery

Operating Capacity (Normal Cycle)

Racks per Hour	40 (37)*
Dishes per Hour	1,000
Glasses per Hour	1,440

Operating Temperature

Wash Temperature (minimum)	150 °F/66 °C
Rinse Temperature (minimum)	180 °F/82 °C

Operating Cycle (seconds)

	Wash	Rinse	Dwell	Vent	Total Cycle
Normal	45	10	10	30	95
Medium	103	10	10	30	153
Heavy	163	10	10	30	213
Extra Heavy	283	10	10	30	333

Water Consumption

Gallons per Rack	0.78 (3.4 L)
Gallons per Hour	31.20 (118.1 L)
Gallons per Hour**	28.86 (109.2 L)
Wash Tank Capacity (gallons)	8.00 (30.3 L)
Booster Tank Capacity (gallons)	3.00 (11.0 L)

Water Requirements

Incoming Water Temperature	40-90 °F/5-33 °C
Flow Pressure (PSI)	10
Incoming Water Connection (NPT)	3/4"
Drain Connection (NPT)	1 1/2"

Electrical Specifications

Wash Pump Motor (HP)	
208V	2
230V	2
460V	2
Wash Tank Heater (kW)	
208V	4.1
230V	5.0
460V	5.0
Rinse Tank Heater (kW)	
208V	10.5
230V	12.9
460V	12.9

Power Supply	Total Load	Minimum Circuit Ampacity	Maximum Overcurrent Protection
208/60/3	51.8 A	54.6 A	70.0 A
230/60/3	56.0 A	58.8 A	70.0 A
460/60/3	25.7 A	26.5 A	30.0 A
208/60/1	81.4 A	84.2 A	100.0 A
230/60/1	88.9 A	91.7 A	100.0 A

Heat Output (BTU/HR)

Latent Heat	2683
Sensible Heat	5988

Dimensions

Width	28 5/8" (727 mm)
Depth	35 5/8" (905 mm)
Height	93" (2362)
Clearance Above	
Heat Exchanger (minimum)	6" (152 mm)
Inside Clearance Height	27" (686 mm)
Wall Clearance (minimum)	
Rear	0" (0 mm)
Side (corner installation)	4" (102 mm)
Drain Height	11 3/4" (298 mm)
Weight	396 lbs (180 kg)

Shipping Details

Shipping Weight	436 lbs (198 kg)
Shipping Width	42" (1067 mm)
Shipping Depth	42" (1067 mm)
Shipping Height	77" (1956 mm)
Shipping Cube	88.60 cu ft
Shipping Class	200

Advisory: Jackson WWS, Inc. DOES NOT endorse "Tankless On-Demand" water heaters for use with our dishmachines. Jackson WWS, Inc. DOES endorse, and highly recommends, standard "tank" style water heaters, sized to properly handle the water heating requirements of the facility.

*Racks per hour calculated with NSF suggested load time of :05 for door-type (straight thru) dishmachines.

**Gallons per hour calculated with NSF suggested load time of :05 for door-type (straight thru) dishmachines.

Contact Jackson

07610-004-96-22 [04/14/23]

Address

6209 N U.S. Highway 25E
Gray, Kentucky 40734

Telephone & Fax

T 888.800.5672
F 606.523.1799

Email

customer.service@jacksonwws.com



JACKSONWWS.COM



JACKSON WAREWASHING SYSTEMS



JACKSON WWS

We reserve the right to change specifications in this document without incurring any obligation for equipment previously or subsequently sold.