

APPLICATION:

PRODUCT NAME:
TAILPIECE 2" X 6" CHROME PLATE

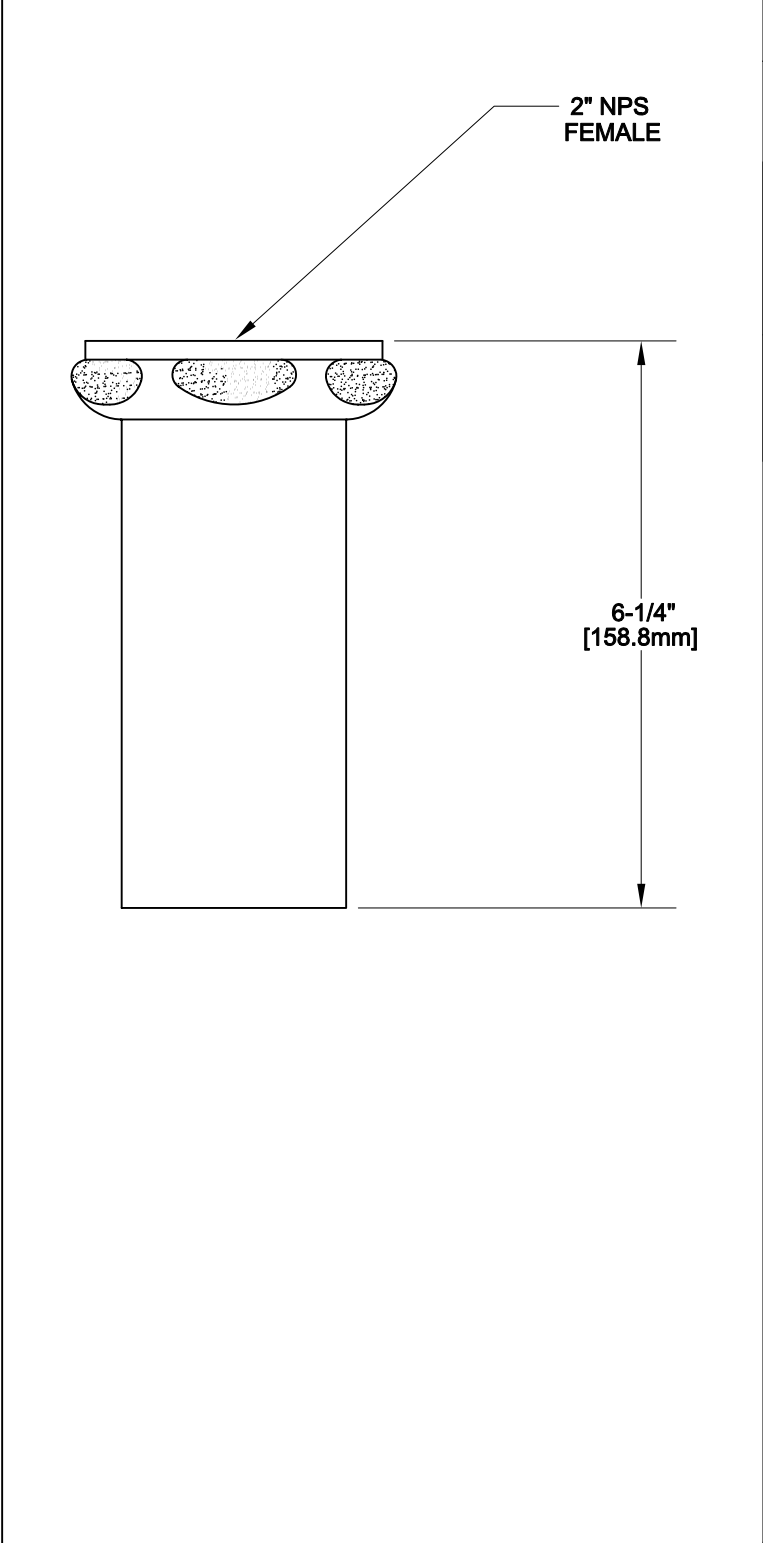
JOB NAME:

SPECIAL CONFIGURATION
CHECK BASE MODEL AND OPTIONS

QUANTITY:

ITEM NO.

MODEL:
 6129



OPTIONS OR MODIFICATIONS:

- SUPPLY LINES (24" OR 36") CIRCLE LENGTH
- NIPPLES
- ELBOWS
- HANDLES (CROSS OR WRIST) CIRCLE STYLE
- VANDAL RESISTANT KIT
- OTHER _____

FEATURES:

- * 2" NPS FEMALE INLET
- * 6" LENGTH
- * CHROME PLATED

SHIPPING WEIGHT

- * 1.0 LBS