

# "PBF-4-S-LF" ECONOMY FAUCETS - SHALLOW MOUNT

*Low-Lead, Splashmount w/Gooseneck Spout, 4" O.C.*

**FEATURES:**

- 1/4 Turn Ceramic Cartridges
- Color Coded Hot & Cold Indicators
- Double O-Ring Spout Seal
- High Polished Nickel Chrome Finish
- Low-Lead Compliant

**CERTIFICATIONS:**



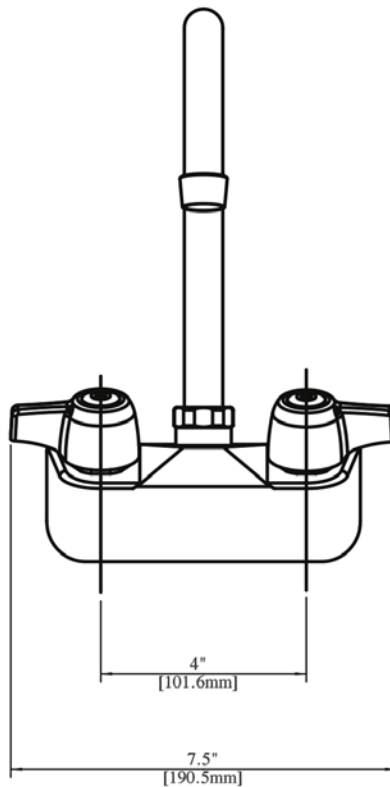
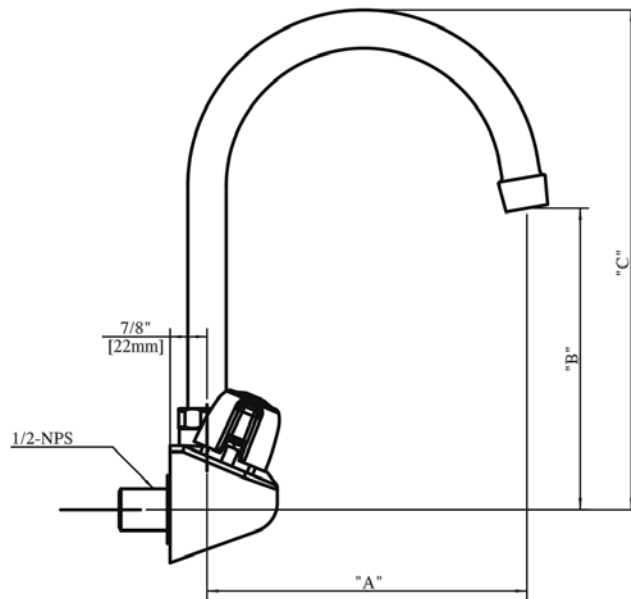
PBF-4-S-LF

## "PBF-4-S-LF" LOW-LEAD ECONOMY FAUCETS

MODEL	DESCRIPTION	A	B	C	WEIGHT (LBS)
PBF-4-S-LF	3-1/2" Gooseneck Spout	3.5"	5.13"	7.88"	4

ALL DIMENSIONS ARE TYPICAL. TOLERANCE +/- .500". JOHN BOOS & CO. RESERVES THE RIGHT TO CHANGE SPECIFICATIONS WITHOUT NOTICE.

# DETAILED SPECIFICATIONS



## "PBF-4-S-LF" LOW-LEAD ECONOMY FAUCETS

MODEL	DESCRIPTION	A	B	C	WEIGHT (LBS)
PBF-4-S-LF	3-1/2" Gooseneck Spout	3.5"	5.13"	7.88"	4

ALL DIMENSIONS ARE TYPICAL. TOLERANCE +/- .500". JOHN BOOS & CO. RESERVES THE RIGHT TO CHANGE SPECIFICATIONS WITHOUT NOTICE.