



Open Base Riser Top Work Table

Stainless Steel Work Tables



Use your smart phone to scan the above QR code to visit our website:
www.bk-resources.com

Certifications:



Features:

- 1 5/8" Legs
- 5" Riser
- Legs Adjust 1" in Height
- Ships KD
- Two Sound Deadened Integrally Welded 5" C Channels to Reinforce & Maintain Level Working Surface
- 85" & 96" Tables Have 6 Legs

Options:

- Single & Double Overshelves
- Drawer Assemblies
- Casters
- Adjustable Table Mount Pot Rack



Material:

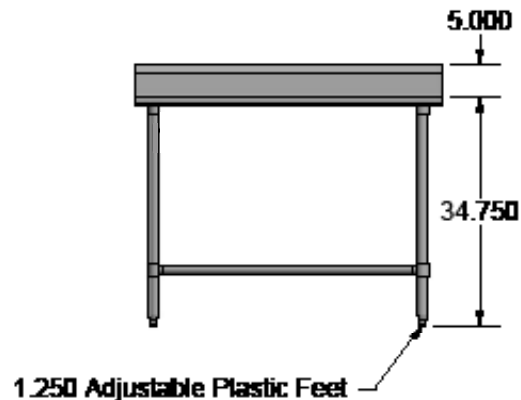
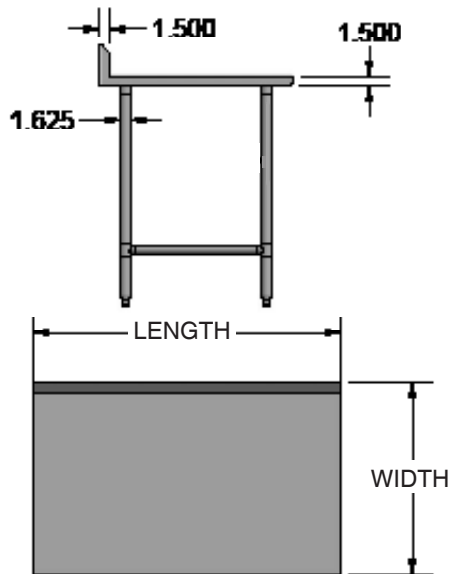
CTTR50B Series: S/S w/ Galvanized Legs

- T-304 16 ga. Stainless Steel Top
- Galvanized Legs & Bracing
- Adjustable High Impact Corrosion Resistant Feet
- Capacity: 800 lbs Evenly Distributed

CVTR50B Series: Stainless Steel w/ Stainless Steel Legs

- T-304 16 ga. Stainless Steel Top
- Stainless Steel Legs & Bracing
- Adjustable Stainless Steel Feet
- Capacity: 1,200 lbs Evenly Distributed

Length	CTTR50B Series S/S w/ Galv. Legs		CVTR50B Series S/S w/ S/S Legs			
	T-304 S/S 30" Width	Product Weight (lbs)	T-304 S/S 30" Width	Product Weight (lbs)	T-304 S/S 24" Width	Product Weight (lbs)
24"	-	-	-	-	CVTR50B-2424	-
30"	-	-	-	-	CVTR50B-3024	-
36"	CTTR50B-3630	68.00	CVTR50B-3630	66.00	CVTR50B-3624	-
48"	CTTR50B-4830	84.00	CVTR50B-4830	88.00	CVTR50B-4824	-
60"	CTTR50B-6030	100.00	CVTR50B-6030	105.00	CVTR50B-6024	-
72"	CTTR50B-7230	109.00	CVTR50B-7230	122.00	CVTR50B-7224	-
84"	-	-	CVTR50B-8430	-	CVTR50B-8424	-
96"	CTTR50B-9630	146.00	CVTR50B-9630	162.00	CVTR50B-9624	-



PRODUCT DATA SHEET

BK RESOURCES

