



T&S BRASS AND BRONZE WORKS, INC.

2 Saddleback Cove / P.O. Box 1088
Travelers Rest, SC 29690

Model No.

B-0353

Item No.

Travelers Rest, SC: 800-476-4103 • Simi Valley, CA: 800-423-0150 • Fax: 864-834-3518 • www.tsbrass.com



ADA Compliant

This Space for Architect/Engineer Approval

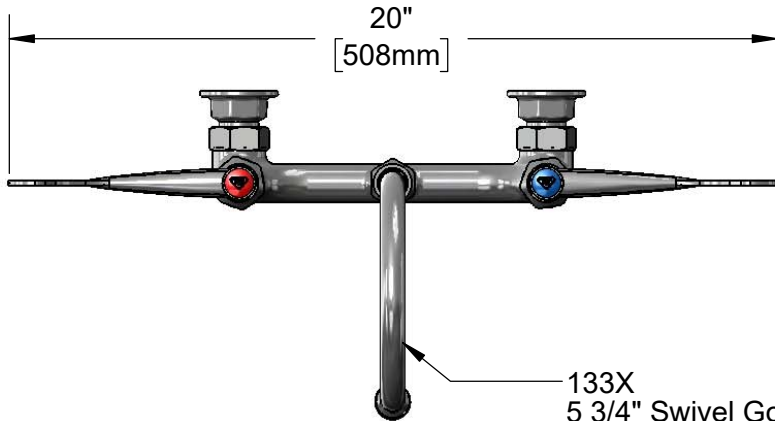
Job Name _____ Date _____

Model Specified _____ Quantity _____

Customer/Wholesaler _____

Contractor _____

Architect/Engineer _____

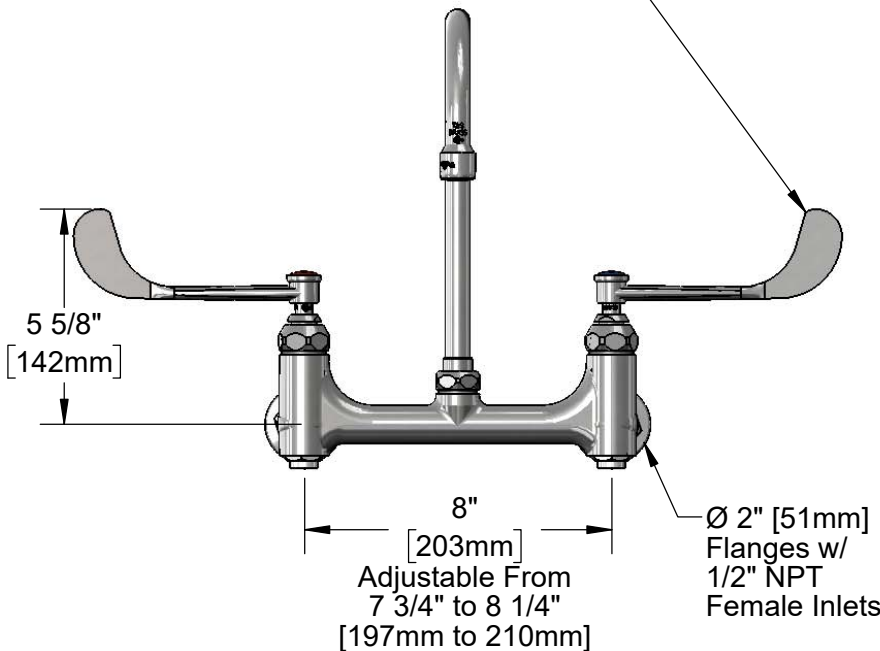


20"
[508mm]

133X
5 3/4" Swivel Gooseneck w/
Stream Regulator Out.
Rigid Conversion Requires
014200-45
Lock Washer (Included)

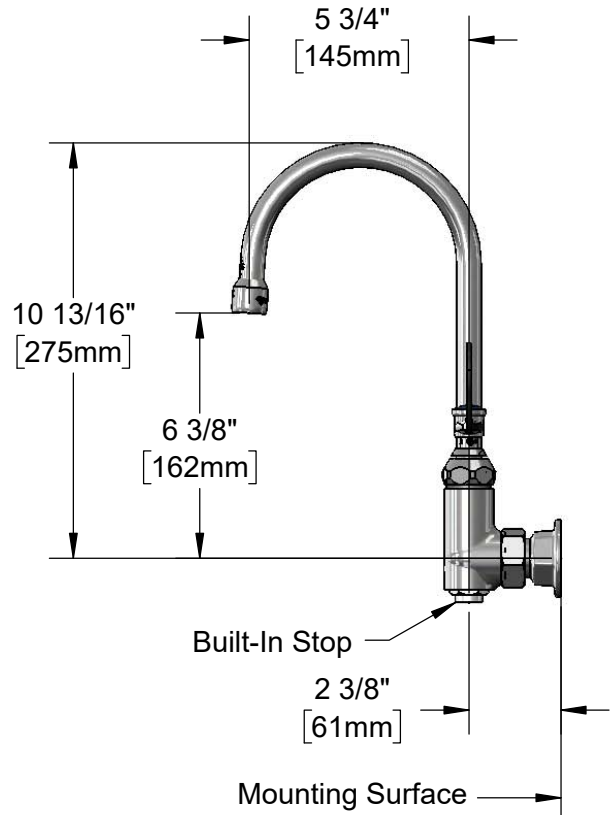


Quarter-Turn
Eterna Cartridges w/
Spring Checks &
6" Wrist Action Handles w/
Color Coded Indexes



5 5/8"
[142mm]

8"
[203mm]
Adjustable From
7 3/4" to 8 1/4"
[197mm to 210mm]
Ø 2" [51mm]
Flanges w/
1/2" NPT
Female Inlets



5 3/4"
[145mm]

10 13/16"
[275mm]

6 3/8"
[162mm]

Built-In Stop
2 3/8"
[61mm]

Mounting Surface

Product Specifications:

8" Wall Mount Mixing Faucet, Quarter-Turn Eterna Cartridges w/ Spring Checks, 6" Wrist Action Handles, 5 3/4" Swivel/Rigid Gooseneck w/ Stream Regulator Outlet, Built-In Stops & 1/2" NPT Female Inlets

Product Compliance:

ASME A112.18.1 / CSA B125.1
NSF 61 - Section 9
NSF 372 (Low Lead Content)
ANSI A117.1 (ADA)



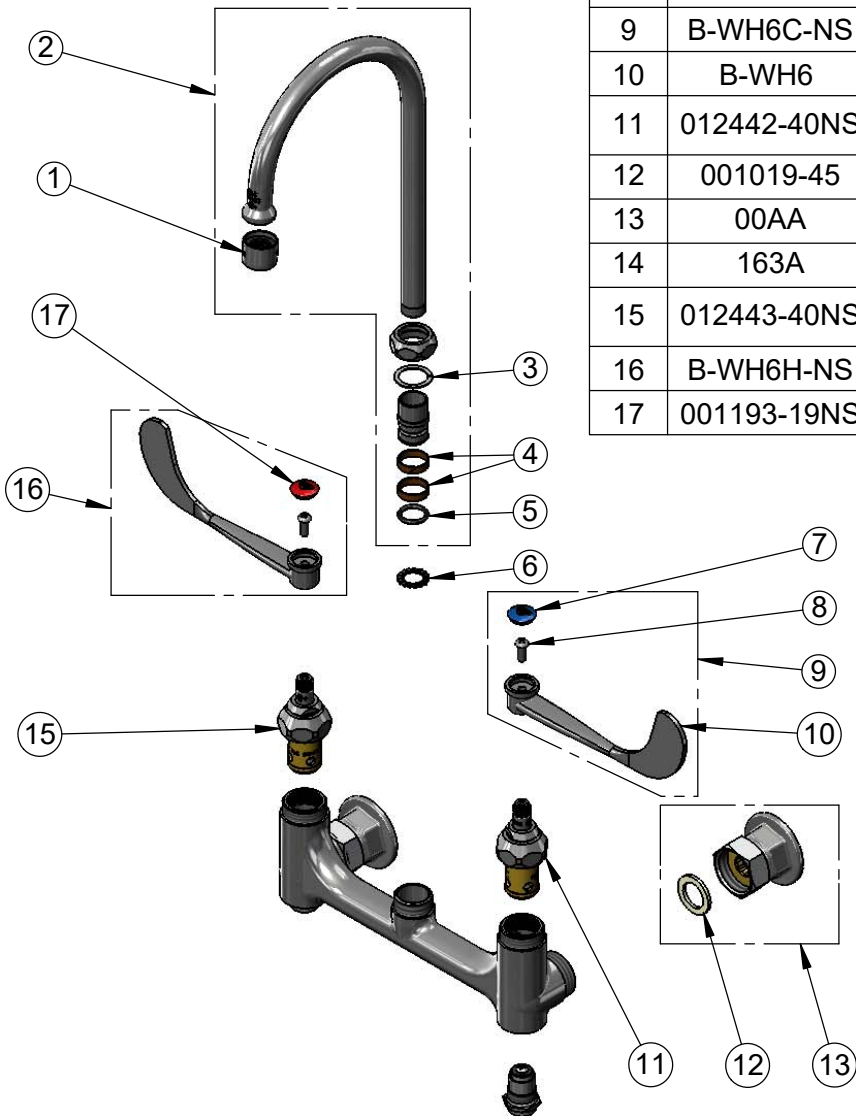
T&S BRASS AND BRONZE WORKS, INC.
 2 Saddleback Cove / P.O. Box 1088
 Travelers Rest, SC 29690

Model No.
B-0353

Item No.

Travelers Rest, SC: 800-476-4103 • Simi Valley, CA: 800-423-0150 • Fax: 864-834-3518 • www.tsbrass.com

| ITEM NO. | SALES NO. | DESCRIPTION |
|----------|-------------|--|
| 1 | B-PT | Full Flow Stream Regulator, 55/64-27 |
| 2 | 133X | 5 3/4" Swivel Gooseneck w/ Stream Regulator Outlet |
| 3 | 009538-45 | Swivel Washer |
| 4 | 011429-45 | Swivel Sleeves (2) |
| 5 | 001074-45 | O-Ring |
| 6 | 014200-45 | Star Washer, Anti-Rotation |
| 7 | 018506-19NS | Blue Button Index, Press-in |
| 8 | 000925-45 | Lab Handle Screw |
| 9 | B-WH6C-NS | 6" Wrist Action Handle, Blue Index & Screw |
| 10 | B-WH6 | 6" Wrist Action Handle |
| 11 | 012442-40NS | Quarter-Turn Eterna Cartridge w/ Spring Check, LTC |
| 12 | 001019-45 | Coupling Nut Washer |
| 13 | 00AA | 1/2" NPT Female Eccentric Flange |
| 14 | 163A | Built-in Service Stop |
| 15 | 012443-40NS | Quarter-Turn Eterna Cartridge w/ Spring Check, RTC |
| 16 | B-WH6H-NS | 6" Wrist Action Handle, Blue Index & Screw |
| 17 | 001193-19NS | Red Button Index, Press-in |



Product Specifications:
 8" Wall Mount Mixing Faucet, Quarter-Turn Eterna Cartridges w/ Spring Checks, 6" Wrist Action Handles, 5 3/4" Swivel/Rigid Gooseneck w/ Stream Regulator Outlet, Built-In Stops & 1/2" NPT Female Inlets

Product Compliance:
 ASME A112.18.1 / CSA B125.1
 NSF 61 - Section 9
 NSF 372 (Low Lead Content)
 ANSI A117.1 (ADA)