

LCA-2 LP (w/ Scholle 1910LX)

23.2" x 20.9" x 15.8"
(58.9cm x 53.1cm x 40.1cm)

- Accommodates two 1/2gal (1.9L) bag-in-box (BIB) containers
- Attractive appearance with shorter profile
- Serves two coffee products and hot water
- Set up for continuous dispense (by the cup) for self-serve applications or portion control to fill cups or carafes
- Refill or rinse LED lights alert the operator for concentrate or cleaning



 Servers and airpots sold separately

Agency:



Specifications

Product #: 38800.0000
Product Ratio: 25:1-100:1
Connector: Scholle 1910LX
Water Access: Plumbed
Finish: Black

Additional Features

Electrical & Capacity

Volts	Amps	Watts	Cord Attached	Plug Type	8oz cups/hr 236ml cups/hr	Input H ² O Temp.	Phase	# Wires plus Ground	Hertz
120	12	1440	Yes	NEMA 5-15P	765	60°F (15.5°C)	1	2	60

Plumbing Requirements

PSI	kPa	Fitting Supplied	Water Flow Required (GPM)
20-90	138-621	1/4" Male Flare Fitting	-

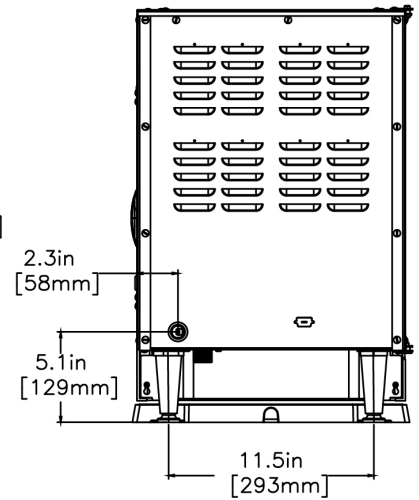
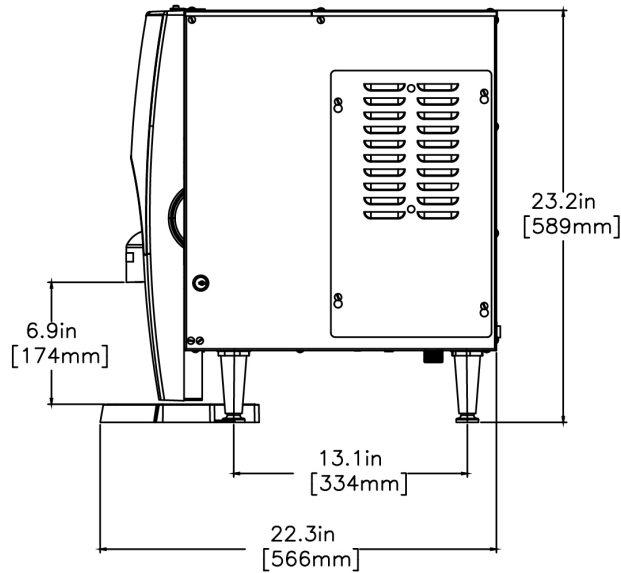
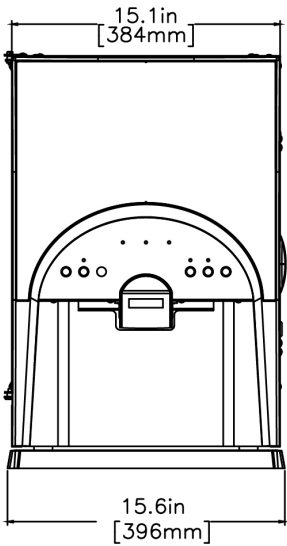
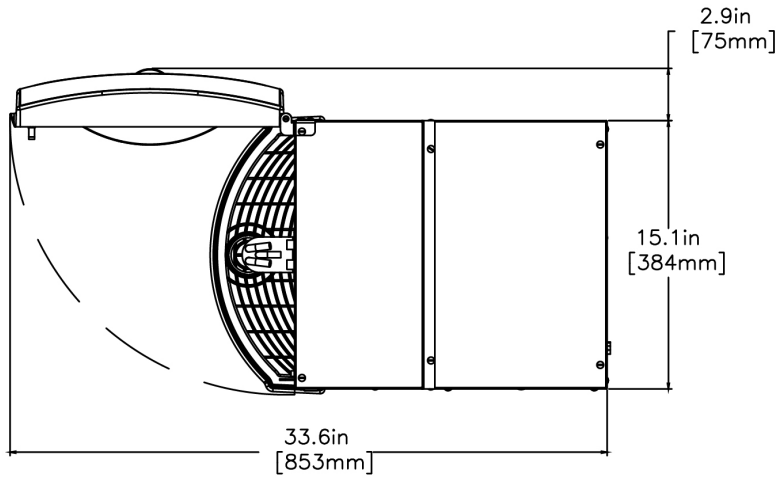
CAD Drawings

2D	Revit	KLC
●		



BUNN® reserves the right to change specifications and product design without notice. Such revisions do not entitle the buyer to corresponding changes, improvements, additions or replacements for previously purchased equipment. For most current specifications and other info visit bunn.com.

Created on:
06/15/2017



Unit			Shipping					
	Width	Height	Depth	Width	Height	Depth	Weight	Volume
English	15.8 in.	23.2 in.	20.9 in.	-	-	-	66.460 lbs	-
Metric	40.1 cm	58.9 cm	53.1 cm	-	-	-	30.146 kgs	-



BUNN® reserves the right to change specifications and product design without notice. Such revisions do not entitle the buyer to corresponding changes, improvements, additions or replacements for previously purchased equipment. For most current specifications and other info visit bunn.com.

Created on:
06/15/2017

Related Products & Accessories:LCA-2 LP (w/ Scholle 1910LX)(38800.0000)



KIT,DISPENSE RATIO
CAL LCA/LCC

Product #: 34843.1000

KIT, DRIP TRAY DRAIN

Product #: 37309.0000

PUMP TUBE ASSY,LP
W/1/8" TUBE

Product #: 37942.1000

ADPTR/TUBE PKG, W/
SCHOLLE 1910 & 1/8"

Product #: 38800.0200

ADPTR/TUBE PKG,W/
QCDII & 1/8"

Product #: 38800.0201

ADPTR/TUBE PKG,
SCHOLLE-Q/C 1/8"

Product #: 38800.0202



WATER FILTER,
EQHP-10L

Product #: 39000.0001



BUNN® reserves the right to change specifications and product design without notice. Such revisions do not entitle the buyer to corresponding changes, improvements, additions or replacements for previously purchased equipment. For most current specifications and other info visit bunn.com.

Created on:
06/15/2017