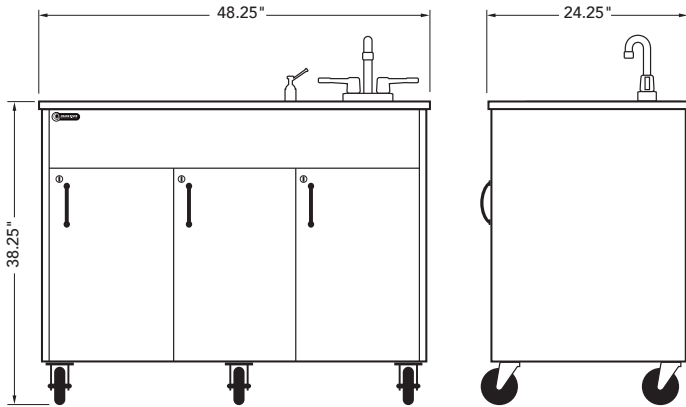


ADVANTAGE S1D BLACK

It's your time to shine with our Advantage S1D self-contained, portable, hot water, handwashing sinks. Wash your hands in this NSF-certified, easily cleaned, sleek, and most importantly, spaciouly functional model. Stainless steel countertops and a deep single stainless sink basin with top-fill, liquid soap dispenser have you reflecting on everything but your handwashing code compliance decisions.

Yes, it's easy on the eyes, but it's also out-of-the-box ready with quick-connect tanks stored in the three lockable cherry or maple woodgrain cabinets. It's time to accelerate your on-demand, hot water handwashing code-compliant expectations.



ADAVK-SS-SS1DN

Model Name	Advantage S1D
NSF Certified	Yes
LivingGreen Certified	Yes
SACERS Rating	12, 3.4, 5.1, 5.2
CARB 93120 Phase 2	Yes
Electrical Requirements	110V, 20A Dedicated Outlet and Breaker
On-Demand Hot Water	Approx. 40°F Above Water Temperature
GPM	0.50
Approx Handwashings	45-60 (5 gallon tank)
Product Dimensions	48.25"W x 24.25"D x 38.25"H
Product Weight	193 lbs.
Basin	Deep Single Stainless Steel
Basin Dimensions	14" W x 10" L x 9.625" D
Countertop Material	Stainless Steel
Cabinet Material	Phthalate, Lead Free Millwork
Cabinet Color	Black Options: Maple, White
Fresh Water Tank	5 Gallon Capacity, FDA Approved
Waste Water Tank	6 Gallon Capacity, FDA Approved
Faucet Style	ADA Compliant Wrist Action Handles
Door Lock	Keyless
Soap Dispenser	Liquid Only, Countertop Mount
Cabinet Wheels	5" Front Locking/Swivel Casters
Warranty	2 Year

Minimum Operating Requirements

- Each sink must use a grounded, dedicated 110V, 20A circuit breaker
- Sinks must be used on a dry, level indoor surface
- Extension cord must be 12/3, rated at 20A or higher
- Water must meet EPA standards (PH between 7.0 and 9.0)

- BEAUTY + WELLNESS
- EDUCATION + CLASSROOM
- FOOD SAFETY
- HEALTHCARE
- RETAIL



IMPORTANT!
Consult with your state and local environmental health official to confirm usage of portable sinks in place of plumbing.

GREATER NASHVILLE AREA

call 1.866.663.1982

OzarkRiver.com