

Self-Service Protector w/ Top Shelf

FINISH:

- Clear Anodized Aluminum
 - Powder Coat:
 - Black
 - Silver
- RAL# _____

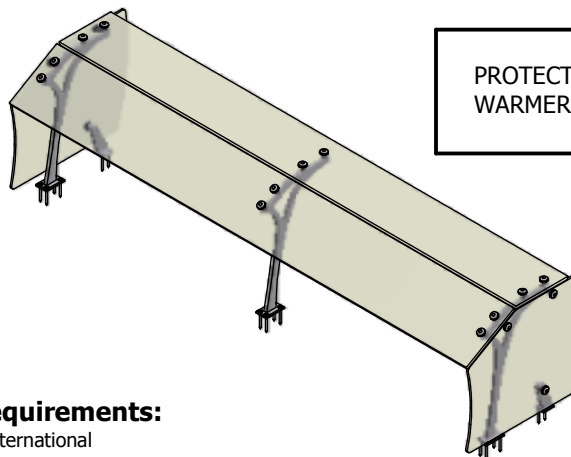
GLASS (Clear Tempered):

- 3/8" Front - Std
- 1/2" Front
- 3/8" Top - Std
- 1/2" Top
- Frosted

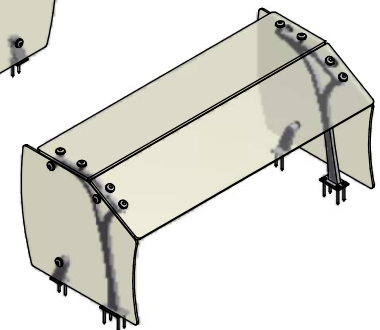
(*) Not all options available on all models.
Contact Factory for specific information.
For Mounting Options, see Mounting
Specification Sheet

LENGTHS:

- 2 = 35-1/4" O.A. - 1 Section
- 3 = 49" O.A. - 1 Section
- 4 = 62-3/4" O.A. - 1 Section**
- 5 = 76-1/2" O.A. - 2 Sections
- 6 = 90-1/4" O.A. - 2 Sections
- Custom = _____ O.A.



PROTECTORS WITH LIGHTS AND/OR
WARMERS REQUIRE (2) END PANELS



NSF/ANSI 2 - 2010 Standards Requirements:

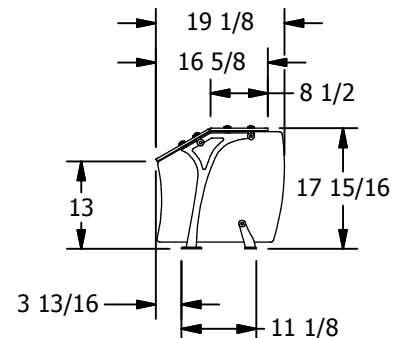
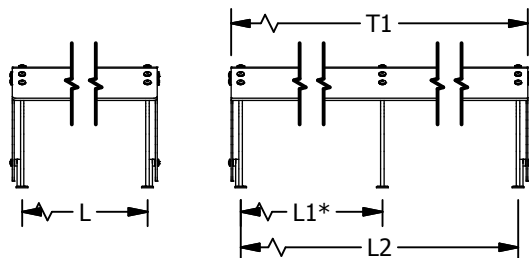
This language is copied with permission of NSF International

5.35.7 Self service food shields

- 5.35.7.1 Maximum vertical distance between counter top and bottom leading edge of shield shall be 13 inches
- 5.35.7.2 Minimum horizontal distance between the front inside edge of food and bottom leading edge of shield shall be 3/4 of the Max. vertical distance of 5.35.7.1 (.75 x 13" = 9.75")
- 5.35.7.3 The sum of a shield's projected vertical plane (Y) and projected horizontal plane (X) shall be greater than or equal to 20 inches. Either (X) or (Y) may equal 0
- 5.35.7.5 Maximum horizontal distance between vertical, horizontal, and angled panels at post and framing member locations shall be 2 inches
- 5.35.7.10 Food shields for use on mobile buffet counters shall conform to 5.35.7
- 5.35.6 A vertical barrier (end shield) shall be provided at each end of a foodshield. The vertical barrier shall be a minimum of 18 inches deep (front to back) beginning at the bottom leading edge of the foodshield. The minimum height of the vertical barrier shall be equal to the overall height of the foodshield. The maximum distance from the bottom edge of the vertical barrier and counter top shall be 1.5 inches.
- 5.35.6.1 A foodshield intended to be installed a maximum of 3" (76mm) from a building wall perpendicular to the foodshield is exempt from the requirements of 5.35.6 provided that the height of the building wall is not lower than the overall height of the foodshield.

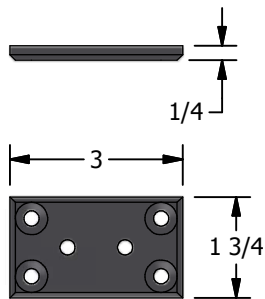
(2) End Panels per unit unless otherwise specified. End panels are 1/4" clear tempered glass unless otherwise specified.

- Centerline Dimensions -
L / L1 - 60" Max (3/8" Glass)
- 66" Max (1/2" Glass)
T1 - 96" Max in Single Section

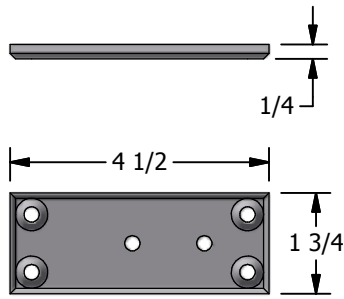


- (* - Middle support is centered unless L1 dimension is specified)
- (** - 1/2" Clear Tempered Glass Top Panel)

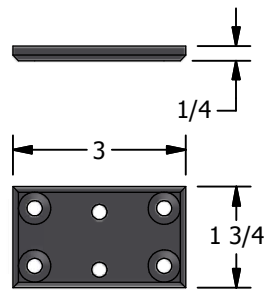
MOUNTING HARDWARE SPECIFICATIONS



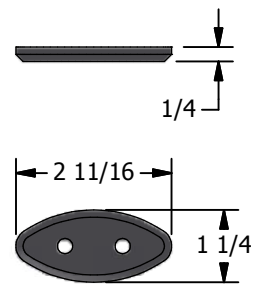
FL6.1
SURFACE-MOUNT



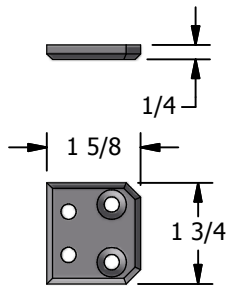
FL6.5
SURFACE-MOUNT
FOR VGG1.3 ONLY



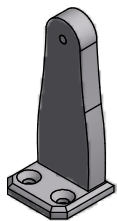
FL6.2
SURFACE-MOUNT



FL6.3
CONCEALED-MOUNT

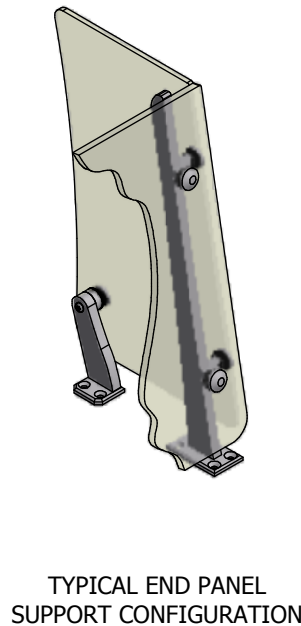
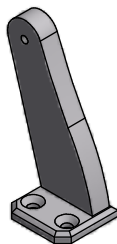


FL6.4
END PANEL
SUPPORT FLANGE

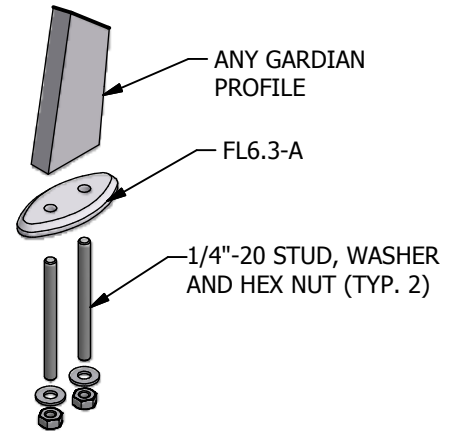


END PANEL SUPPORT
FOR VGG7-DS ONLY

END PANEL SUPPORT
FOR ALL OTHER MODELS



TYPICAL END PANEL
SUPPORT CONFIGURATION



**DETAIL VIEW OF
CONCEALED MOUNT ASSEMBLY**