

## Rancilio Classe 5 USB Tall 1 Group

*Entry to Mid-Level Traditional Espresso Machine*

The Classe 5 exemplifies functional minimalism combined with contemporary aesthetics. It features modern side panels, curved group covers, and an ergonomic work area for comfort and convenience. The intuitive brew group control buttons are designed for instant interaction between the barista and the machine. The Tall model accommodates cups up to 5.7" in height. Made from brushed stainless steel, ABS, and nylon panels, the Classe 5 S has soft touch keypad buttons that are backlit by white LEDs. The programmable buttons allow for automated or manual dosing control. The Classe 5 is available in Anthracite Black and Ice White color options.

Discover functional minimalism with the Classe 5.



### Standard Features

- Made from brushed stainless steel, ABS and nylon panels
- Soft-touch keypads with 4 programmable drink dosing presets for easy espresso preparation
- White LED backlights make the keypad buttons easy to read in all conditions
- Independent heat exchangers
- Electrical heating
- Built-in volumetric pump
- Boiler and pump pressure control gauge
- USB port for easy management of machine parameters
- One manual steam wand for frothing and steaming milk
- C-Lever ergonomically designed steam hand features two positions: pulse steam (down) or steam fully on (up)
- Hot water outlet with manual valve knob control
- Scratch-proof polymer drain insert that can be removed and easily cleaned in dishwasher
- Accommodates cups up to 5.7" in height
- Adjustable feet
- 1-year parts warranty

### Options

**iSteam:** Intelligent steam wand that automatically infuses air and turns off at the proper temperature to create the perfect milk for cappuccinos and lattes

**Color Options:** Anthracite Black and Ice White

### Accessories in the Box

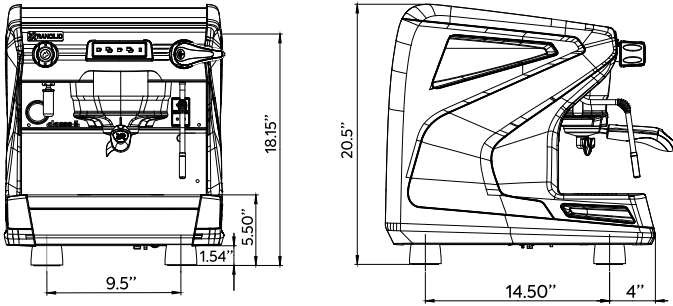
- 1 double portafilter
- Rubber blind disks for cleaning
- User manual
- Foot extensions

### Space Requirements

- Allow 6" clearance on all sides of the machine.
- Allow 24" x 5" for in-line filter. Filter can be mounted behind the machine or under the counter.
- Allow a minimum of 3" (7.62 cm) clear space under filter to facilitate filter change.

## Rancilio Classe 5 USB Tall 1 Group

Entry to Mid-Level Traditional Espresso Machine



### Countertop Requirements

#### Espresso Machine

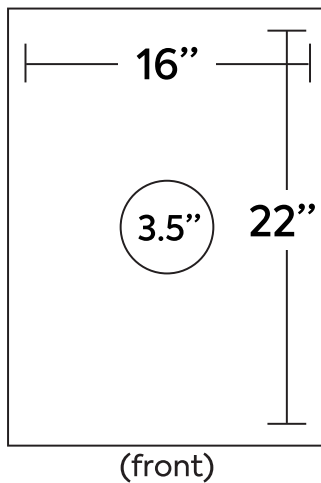
Width	Depth	Height	Weight
16"	22"	21"	73 lbs

### Shipping Dimensions and Weight

#### Espresso Machine

Length	Width	Height	Weight
29"	26"	35"	115 lbs

### Countertop Drilling Plan



### Electrical Connections

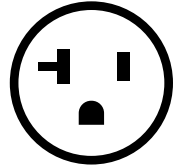
#### Espresso Machine

Voltage Range: 110-120VAC

Power: 1600W

Circuit Size: 20A

Suggest Receptacle: NEMA 5-20R



Power can be installed under or above the counter. Please allow 3"-4" of space for the plug, especially when placing power above the counter and behind the machine.

### Water Connections

Dedicated cold water access line with standard female 3/8" NPT fitting and manual shut-off valve within 4' of the machine required.

### Drain Requirements

Open gravity drain with minimum 2" I.D. within 4' of the machine.

### Water Quality Statement

The fact that water is potable is no guarantee that it is suitable for coffee machines. Your water supply must be within these general guidelines:

**SUPPLY PRESSURE:** 30-70 psi

**HARDNESS:** 2-3 GPG (1 grain of hardness = 17.1 ppm)

Water entering the machine should have a water hardness level of 2-3 GPG at all times. If the water supply is not within this range, a dedicated water softener (if above 3 GPG) or mineral addition cartridge (if below 2 GPG) is required for the coffee machine to operate properly over time (see Rancilio Group North America Water Quality Statement for further details).

