

SaniServ®


MADE IN USA

MODEL 108RAF



171
FROZEN
COCKTAILS/HR

GREAT FOR RESTAURANTS AND CONCESSIONAIRES

The SaniServ® model 108RAF Frozen Beverage Freezer provides owners and operators everything they are asking for: **Frozen beverage visibility merchandising in a consistent and reliable machine with remote refrigeration!** The unit's extra large 8" faceplate design allows customers to view colorful frozen beverages being offered without the condensation and unreliable operation of traditional "bubble top" machines! The high frozen product visibility, along with increased production and reliability, results in increased sales and high profits! The 108RAF's remote refrigeration system is ideal for lowering costly indoor air conditioning operating costs by providing less heat build up while providing quieter operation!

MODEL 108RAF

REMOTE REFRIGERATED & AUTO FILL

Job: _____

Item No. _____



171
FROZEN
COCKTAILS/HR

DESIGNED FOR HIGH VOLUME APPLICATIONS

16 Gallons per Hour - 25 Quart Capacity

Use SaniServ® Model 108RAF to Create



Dimensions: Width (16.6") Depth (28.5")
Height (31.8") Weight (150 lbs)

Electrical Requirements:

115/60/1 = 15 Amps

Serving Estimate:

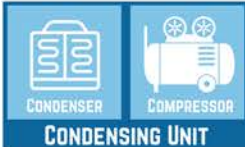
Up to 171 Frozen Cocktails / hr



Want to Learn More?

About the 108RAF

Cooling Options



We reserve the right to change specifications and product designs without notice. Such revisions do not entitle the buyer to corresponding changes, improvements, additions, or replacements for previously purchased equipment.



✓ SPACE SAVING - *Small Footprint Design*

SaniServ® model 108RAF offers frozen product visibility in reliable, space saving equipment and design! Owners and operators can turn the countertop into a highly colorful profit center by providing the frozen beverages customers enjoy!

✓ EASY CLEANING AND OPERATION - *Fewer Parts = Simplified Cleaning*

SaniServ® equipment is designed and built with the fewest parts to be disassembled, cleaned and sanitized than any other machine in the industry.

✓ HIGH RETURN ON INVESTMENT - *Increased Profits*

SaniServ® machines combine affordable efficiency with consistent product quality and fast, quiet operation to insure customer satisfaction with high profit frozen beverages.

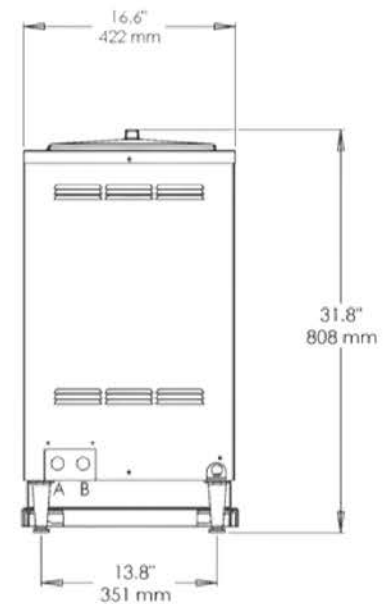
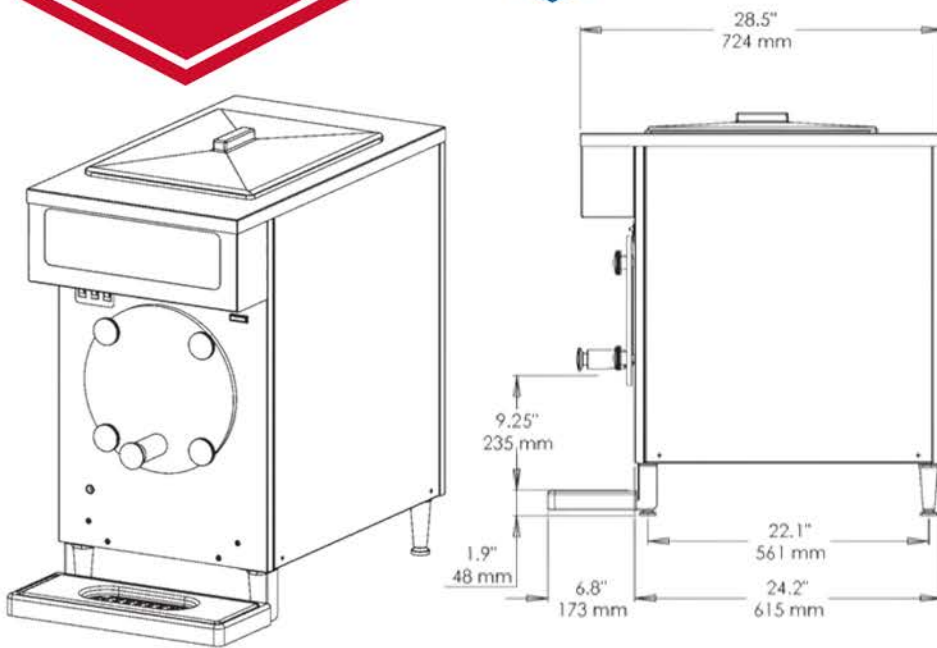
✓ QUALITY DESIGN *Durability*

SaniServ® machines are built to achieve long and dependable life through simplicity of design. Every machine is shipped standard with a stainless steel exterior, durable steel interior frame construction, heavy-duty components and consistency systems.

MODEL 108RAF

REMOTE REFRIGERATED & AUTO FILL

Minimum Wall Clearance
Both Sides and Back
6 inches (152 mm)



A 5/8" SUCTION LINE QUICK DISCONNECT
B 3/8" LIQUID LINE QUICK DISCONNECT

ELECTRICAL				WIDTH	HEIGHT	DEPTH	WEIGHT	VOLUME
VOLTS	Hz	Ph.	Amps	INCHES (MM)	INCHES (MM)	INCHES (MM)	LBS. (Kg)	CU FT. (cu. m.)
115	60	1	15	16.6 (422)	31.8 (808)	28.5 (724)	150 (69)	
Shipping Specifications				22.5 (572)	36.5 (965)	36.5 (927)	200 (91)	18 (.51)

SPECIFICATIONS

Dasher Motor:
1/2 HP

Refrigerator Type:
R404A

Listings:
UL, cUL, NSF

Additional Equipment Required:
Requires a remote condensing unit (condenser & compressor) connected by two refrigeration lines

Remote Fill System

FEATURES

Evaporator and Mix Reservoir Capacity:
25 Quarts (23.6 liters)

Dasher:
Heavy-Duty Stainless Steel with low friction scraper blades.

Controls:
Automatic consistency controls for improved product consistency.

Solid-State Automatic Visual Mix Out Alert System

WARRANTY

Parts 1 year
Evaporator 5 years

Options:
Tune Up Kit
Drink Spinner
Machine Stand
Wash Out Kit - 3/8" Flare Fitting
Export Voltages