

Master Series Griddle Range Attachment

Project _____
Item _____
Quantity _____
CSI Section 11400
Approved _____
Date _____

Master Series Griddle Range Attachment

Models

- M12S-8
- M12T-8



Model M12S-8
(Shown With M12-LPBG
Low Profile Backguard)
12" Range Attachment
With Thermostat
Controlled Griddle

Standard Features

- Stainless steel front and sides
- Stainless steel door
- 6" (152mm) chrome steel adjustable legs
- 22,000 BTU, (6.44 kW), "H" type burner
- 1" (25.5mm) thick Steel griddle plate
- 2-5/16" (59mm) high welded stainless steel splash guards, sides & back
- Clip on stainless steel backsplash
- Removable stainless steel grease drawer
- Thermostatic control with embedded capillary line sensors
- Aluminized steel under all cooking surfaces
- Storage base interior of aluminized steel

Options & Accessories

- Stainless steel main back
- Groove griddle option available
- Stainless steel common front rail up to 102" (2591mm) wide (two or more units in a battery)
- Gas regulator 3/4" or 1-1/4"
- Gas shut off valve; 3/4", 1" or 1-1/4" NPT
- Gas flex hose & quick disconnect (3/4", 1" or 1-1/4" NPT x 5') w/ restraining device, please specify
- End caps and cover (NC, specify)
- Set of (4) Polyurethane non-marking swivel casters with front brakes
- 6" (152mm) stainless steel adjustable legs
- Set of 4 deck fasteners (stainless steel flanged feet)
- Dais base, (S model w/o legs)
- Storage base shelf of aluminized or stainless steel
- Stainless steel tubular high shelf, single or double deck
- Stainless steel backguard: 10" (354mm), 17" (432mm) or 33" (838mm) H

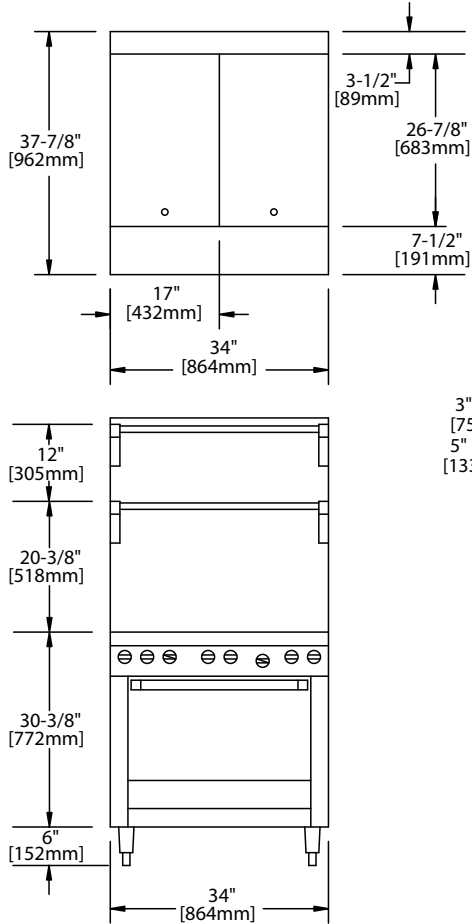
Specifications

The 1" (25mm) thick steel griddle plate is 12" W x 24-3/4" D (305mm x 629mm), bordered by side and rear continuous-welded stainless steel splash guards. Front mounted external stainless steel grease receptacle. Thermostat-ically controlled 22,000 BTU, (6.44 kW), "H" burner. Heavy gauge aluminized steel radiation baffle requires no fire brick, heats evenly, increases thermal efficiency. Natural or propane gas. Also available with modular top, Model M12T-7. Free standing units only available with flanged feet deck fasteners to anchor unit.



Note: Range-based convection oven models can be located in the middle of a battery, banked back-to-back with other equipment, and can be positioned against a wall

Master Series Griddle Range Attachment



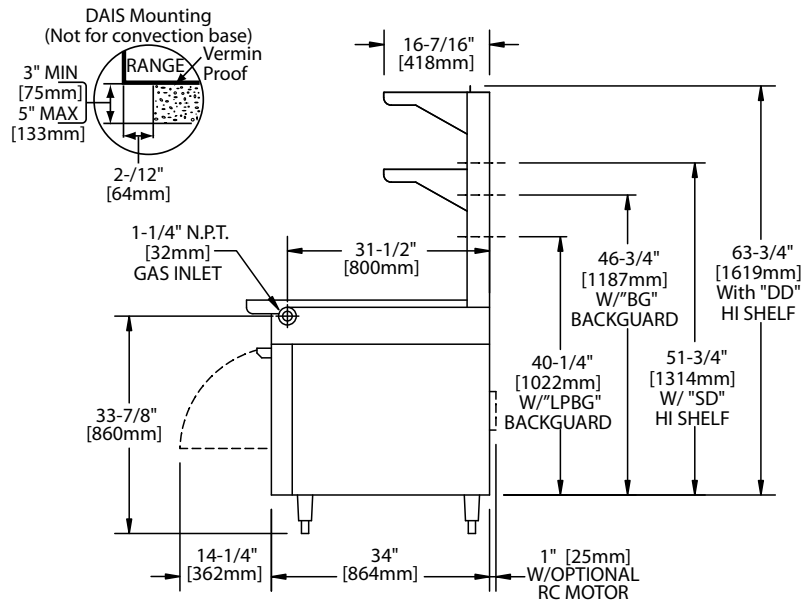
¹NOTE: Installation clearance reductions are applicable only where local codes permit.

Data applies only to North America

Gas input ratings shown here are for installations up to 2,000 ft. (610m) above sea level. Specify altitudes over 2,000 ft.

Please specify gas type when ordering.

Garland/U.S. Range products are not approved or authorized for home or residential use, but are intended for commercial applications only. Garland / U.S. Range will not provide service, warranty, maintenance or support of any kind other than in commercial applications



| Product | Width | Depth | Height (w/ NSF Legs) | Height (w/o NSF Legs) | Shipping | |
|---------|-------------|-------------|----------------------|-----------------------|----------|-------------|
| | | | | | Cu Ft | Wt: (Lb/Kg) |
| M12S-8 | 12" (306mm) | 38" (965mm) | 36-1/4" (924mm) | 30-1/2" (777mm) | 16 | 190/86 |
| M12T-8 | 12" (306mm) | 38" (965mm) | NA | 9-1/2" (241mm)* | 6 | 110/50 |

*Modular top has 1-1/2" seating flanges.

| INPUT SPECIFICATIONS | M12S-8 | M12T-8 |
|----------------------|----------------------|----------------------|
| Input | 22,000 BTU (6.44 kW) | 22,000 BTU (6.44 kW) |
| Inlet/Manifold Size | 1-1/4" NPT | 1-1/4" NPT |

S=Modular Top Attachment w /storage base, T=Modular Top w/o storage base

| INSTALLATION NOTES | | |
|--|--|---|
| Combustible Wall Clearances ¹ | Entry Clearances | Manifold Operating Pressure |
| Sides: 11" (280mm) Back: 6" (152mm) | Crated: 22-1/4" (565mm) Uncrated: 12-1/4" (311mm) | Natural: 6" WC (15mbar) Propane: 10" WC (25mbar) |

Welbilt reserves the right to make changes to the design or specifications without prior notice.