

"4DCO6" DISH STORAGE CABINETS

Standard - 16GA, 15" or 18" Wide

FEATURES:

- Dish Cabinet w/Open Base, 18" Depth
- Buffet Cabinet w/Open Base, 15" Depth
- Flat Top With 1-1/2" Stallion Edge On Front And 90 Degree Bend Down On Side Edge For Table Line Up
- Top Is Sound Deadened
- Stainless Steel Legs With Adjustable Bullet Foot
- Fixed Mid Shelf
- Shipped Standard Welded Set Up

SPECIFICATIONS:

- Top: 16GA Type 300 Stainless Steel w/#4 Polish Satin Finish
- Body: 18GA Type 400 Stainless Steel
- Legs: Stainless Steel w/Adjustable Bullet Feet

CERTIFICATIONS:



4DCO6-1548

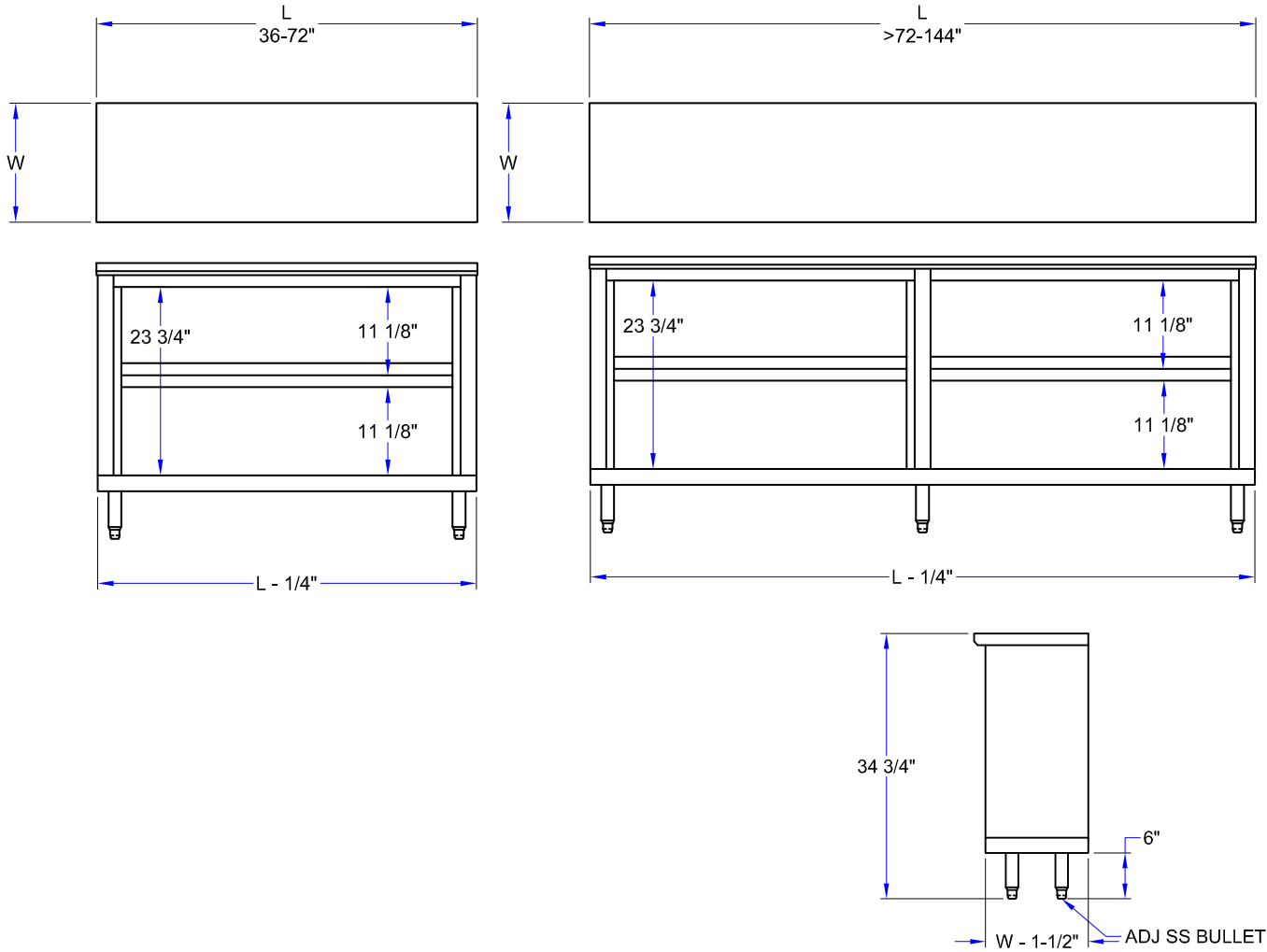
"4DCO6" STANDARD DISH STORAGE CABINETS

MODEL	SIZE (L X W X H)	WEIGHT (LBS)
4DCO6-1548	48"x15"x34-3/4"	107
4DCO6-1560	60"x15"x34-3/4"	130
4DCO6-1572	72"x15"x34-3/4"	152
4DCO6-1584 *	84"x15"x34-3/4"	182
4DCO6-1596 *	96"x15"x34-3/4"	205
4DCO6-15108 *	108"x15"x34-3/4"	236
4DCO6-15120 *	120"x15"x34-3/4"	251
4DCO6-15132 *	132"x15"x34-3/4"	273
4DCO6-15144 *	144"x15"x34-3/4"	294
4DCO6-1848	48"x18"x34-3/4"	117
4DCO6-1860	60"x18"x34-3/4"	141
4DCO6-1872	72"x18"x34-3/4"	165
4DCO6-1884 *	84"x18"x34-3/4"	199
4DCO6-1896 *	96"x18"x34-3/4"	223
4DCO6-18108 *	108"x18"x34-3/4"	247
4DCO6-18120 *	120"x18"x34-3/4"	272
4DCO6-18132 *	132"x18"x34-3/4"	296
4DCO6-18144 *	144"x18"x34-3/4"	319

*84"-144" LENGTH INCLUDE CENTER SUPPORT WALL

ALL DIMENSIONS ARE TYPICAL. TOLERANCE +/- .500". JOHN BOOS & CO. RESERVES THE RIGHT TO CHANGE SPECIFICATIONS WITHOUT NOTICE.

DETAILED SPECIFICATIONS



"4DC06" STANDARD DISH STORAGE CABINETS

MODEL	SIZE (L X W X H)	WEIGHT (LBS)
4DC06-1548	48"x15"x34-3/4"	107
4DC06-1560	60"x15"x34-3/4"	130
4DC06-1572	72"x15"x34-3/4"	152
4DC06-1584 *	84"x15"x34-3/4"	182
4DC06-1596 *	96"x15"x34-3/4"	205
4DC06-15108 *	108"x15"x34-3/4"	236
4DC06-15120 *	120"x15"x34-3/4"	251
4DC06-15132 *	132"x15"x34-3/4"	273
4DC06-15144 *	144"x15"x34-3/4"	294
4DC06-1848	48"x18"x34-3/4"	117
4DC06-1860	60"x18"x34-3/4"	141
4DC06-1872	72"x18"x34-3/4"	165
4DC06-1884 *	84"x18"x34-3/4"	199
4DC06-1896 *	96"x18"x34-3/4"	223
4DC06-18108 *	108"x18"x34-3/4"	247
4DC06-18120 *	120"x18"x34-3/4"	272
4DC06-18132 *	132"x18"x34-3/4"	296
4DC06-18144 *	144"x18"x34-3/4"	319

*84"-144" LENGTH INCLUDE CENTER SUPPORT WALL

ALL DIMENSIONS ARE TYPICAL. TOLERANCE +/- .500". JOHN BOOS & CO. RESERVES THE RIGHT TO CHANGE SPECIFICATIONS WITHOUT NOTICE.