

Specification Sheet

Short Form Specifications

BlendPort® Undercounter Dishtables, model _____.
 Top to be 16/304 stainless steel with all seams welded, ground smooth, and polished. Front and ends to have 3"-high upturn with a 1½"-diameter rolled edge. Backsplash is 10"-high with holes for an 8" OC splash-mount faucet. 20" x 20" x 5" deep stainless steel prerinse sink with basket drain. Unit sized to accept all 24" undercounter machines. Legs to be 1½" O.D. stainless tubing with 1"-diameter crossbracing and stainless steel bullet feet.



left-hand model (undercounter dishwasher and rack slide not included)

Item No.:	_____
Project No.:	_____
S.I.S. No.:	_____

Undercounter Dishtables

MODELS:

- BPUCDT-48L**
- BPUCDT-48R**
- BPUCDT-60L**
- BPUCDT-60R**
- BPUCDT-72L**
- BPUCDT-72R**

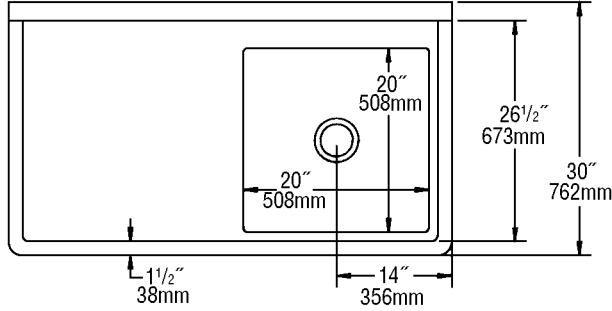
Design and Construction Features

- Sized to accept all 24" (620mm)-wide undercounter dishwashers.
- 3 (76mm)-high, 1½" (38mm)-diameter raised rim on front and sides.
- Heavy-gauge polished stainless steel top with full-length backsplash.
- 20" x 20" x 5" (508 x 508 x 127mm) stainless steel prerinse sink with 3½" (89mm) drainhole complete with 1½" (38mm) IPS basket waste with removable crumb cup.
- 1½" (41mm)-diameter stainless legs with 1" (25mm)-diameter stainless front-to-back crossbracing and adjustable stainless steel bullet feet.

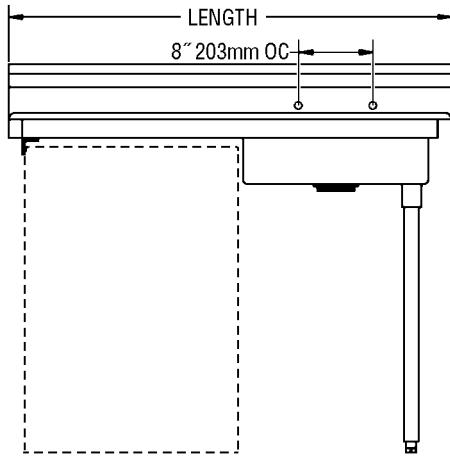


Item No.: _____
 Project No.: _____
 S.I.S. No.: _____

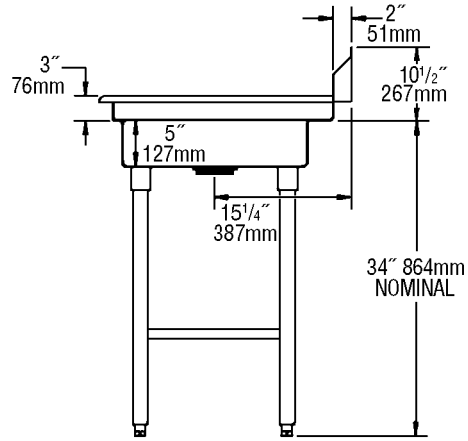
Undercounter Dishtables



TOP VIEW



FRONT VIEW



SIDE VIEW

(left-hand model shown)

LEFT-HAND model #	RIGHT-HAND model #	length		weight	
		in.	mm	lbs.	kg
BPUCDT-48L	BPUCDT-48R	48"	1219	62	28.1
BPUCDT-60L	BPUCDT-60R	60"	1524	71	32.2
BPUCDT-72L	BPUCDT-72R	72"	1829	80	36.3