

ICE BIN WITH COLD PLATE

UNDERBAR - ICE BINS

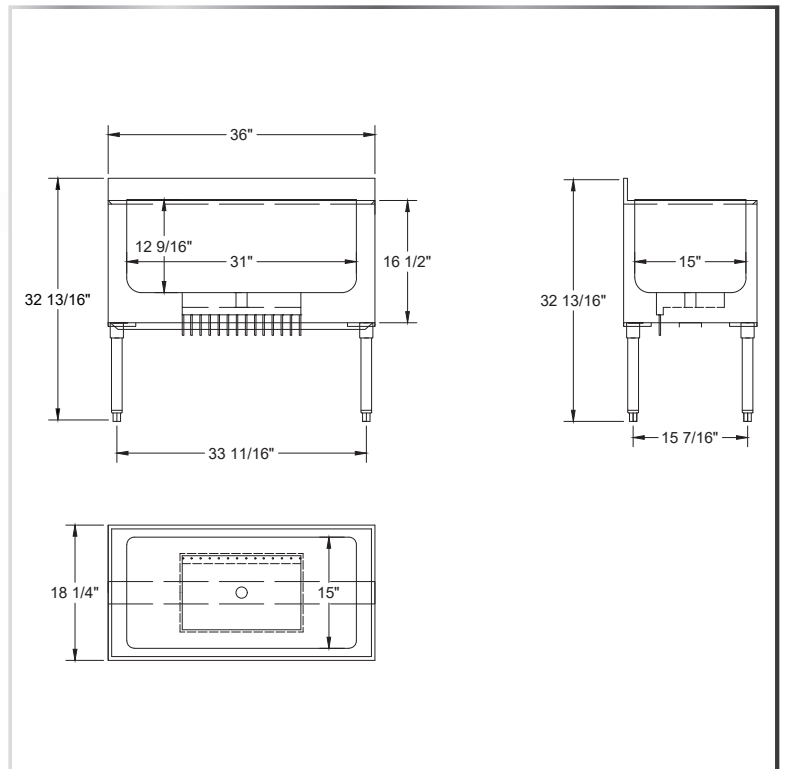


MATERIALS

- 18 Gauge 304 Series Stainless Steel; Fabricated
- 7-Circuit Aluminum Cold Plate
- Stainless Steel Legs and Bracing

FEATURES

- 100 lbs. Capacity
- 12-⁹/₁₆" Deep Insulated Ice Bin



MODEL NUMBER	LENGTH	WIDTH
IBC-2418C7	24"	18- ¹ / ₄ "
IBC-2421C7	24"	21- ¹ / ₄ "
IBC-3018C7	30"	18- ¹ / ₄ "
IBC-3021C7	30"	21- ¹ / ₄ "
IBC-3618C7	36"	18- ¹ / ₄ "
IBC-3621C7	36"	21- ¹ / ₄ "
IBC-4818C7	48"	18- ¹ / ₄ "
IBC-4821C7	48"	21- ¹ / ₄ "

(609) 642 - 8389 | SALES@NBREQUIPMENT.COM | WWW.NBREQUIPMENT.COM

NBR EQUIPMENT, 10 ABEEL ROAD, CRANBURY, NJ 08512